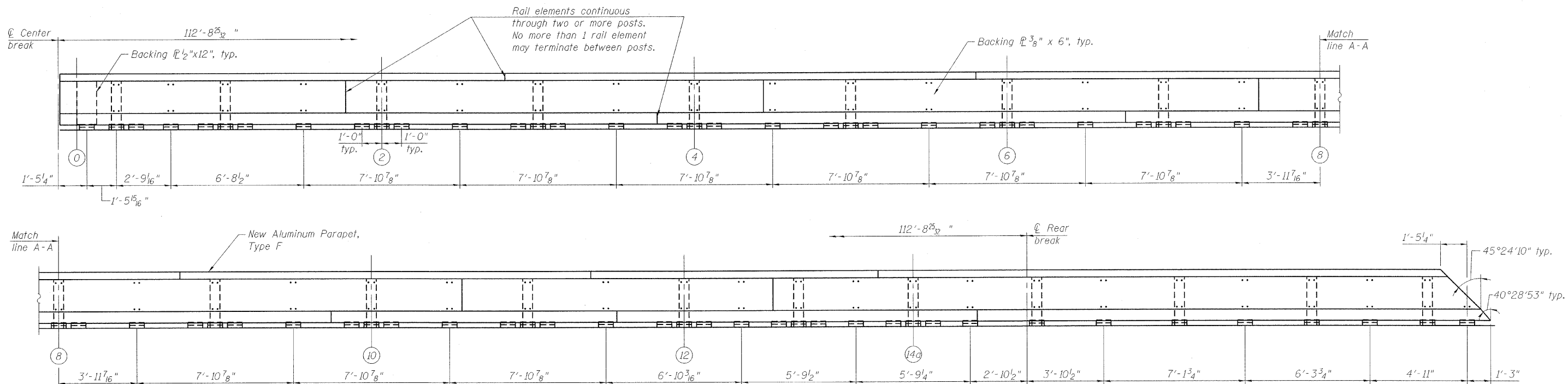
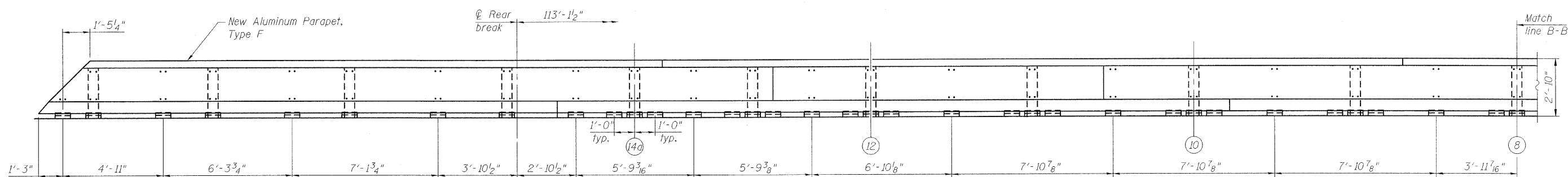


STATE OF ILLINOIS  
DEPARTMENT OF TRANSPORTATION



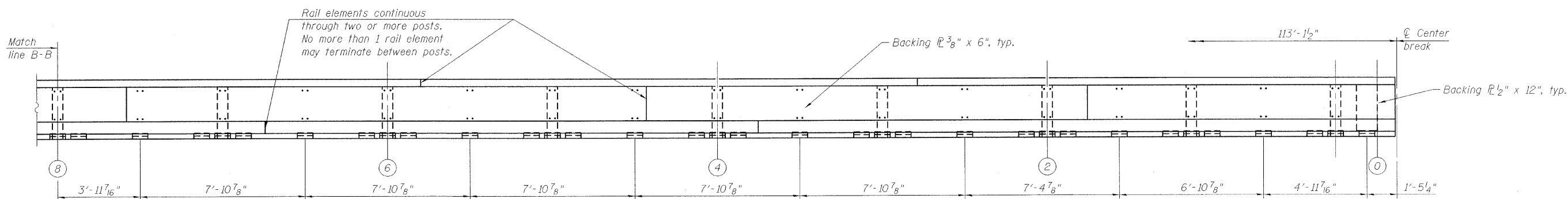
**INSIDE ELEVATION OF ALUMINUM PARAPET, TYPE F**

(Looking North at Northeast Parapet)



**INSIDE ELEVATION OF ALUMINUM PARAPET, TYPE F**

(Looking North at Northwest Parapet)



**SIDEWALK PARAPET ELEVATION  
MOVABLE SPAN (WB)  
STRUCTURE NO. 016-0445**

DESIGNED	P. PILARSKI
CHECKED	J. GRAINAWI
DRAWN	D. C. PATEL
CHECKED	A. HAMMAD

**PB Americas, Inc.**  
230 WEST MONROE STREET,  
SUITE 900  
CHICAGO, IL. 60606

SHEET NO. 133 163 SHEETS	F.A.P RTE.	SECTION	COUNTY	TOTAL SHEETS	SHEET NO.
	389	2424.2B-R	COOK	398	214
CONTRACT NO. 60D61					
FED. ROAD DIST. NO. 7 ILLINOIS FED. AID PROJECT					