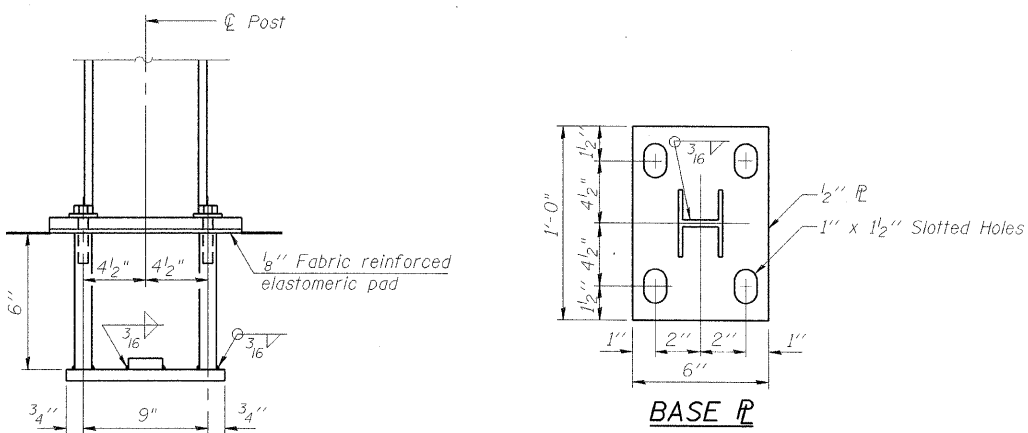
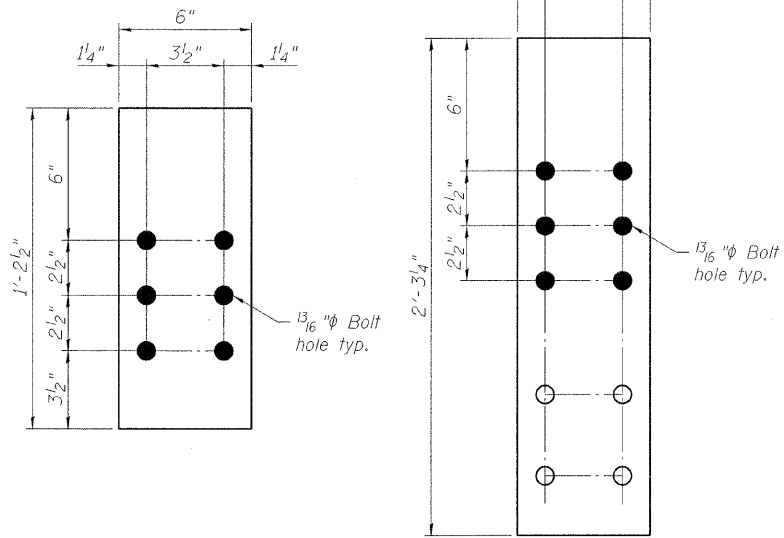
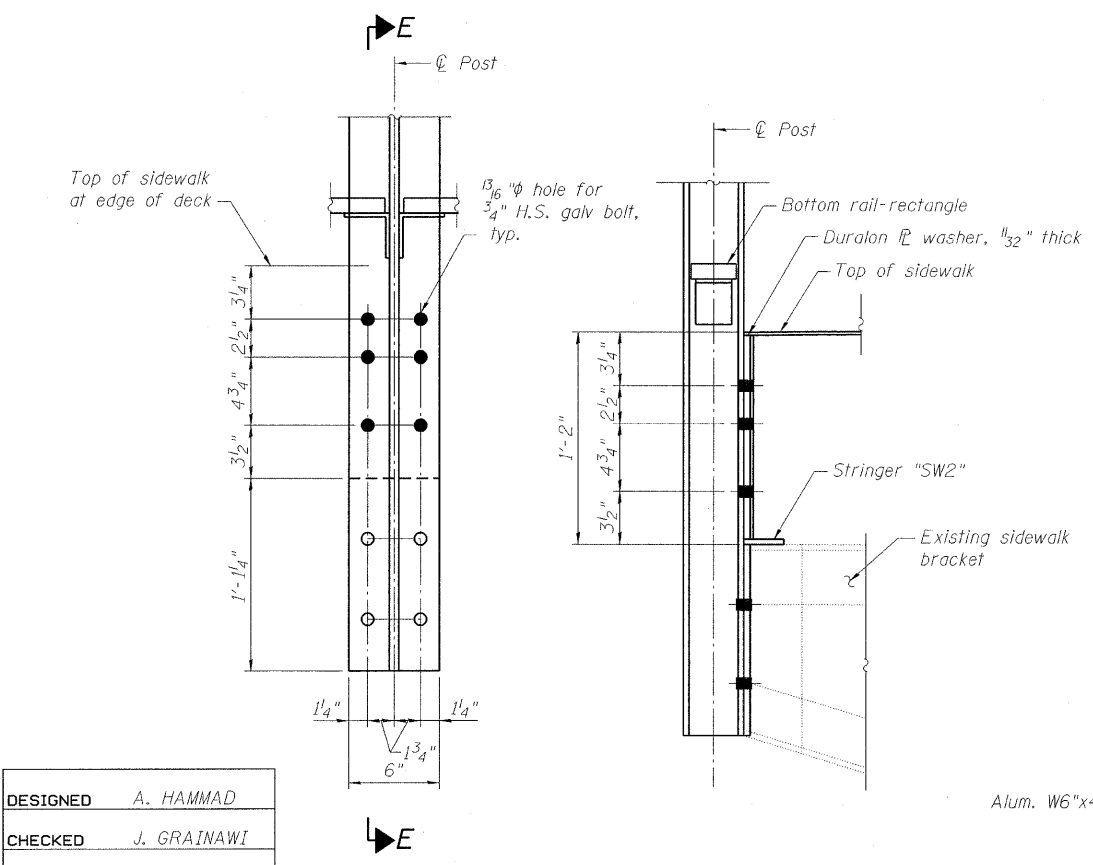
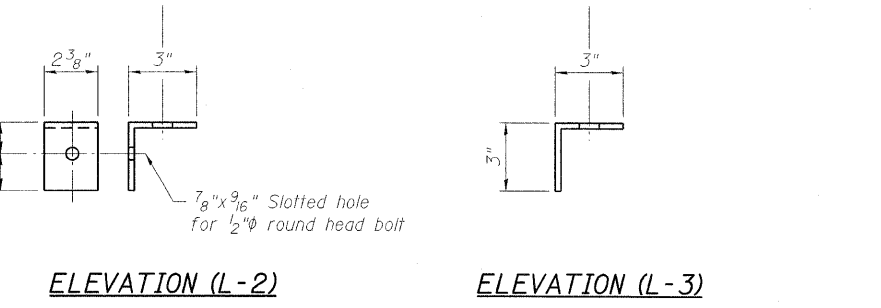
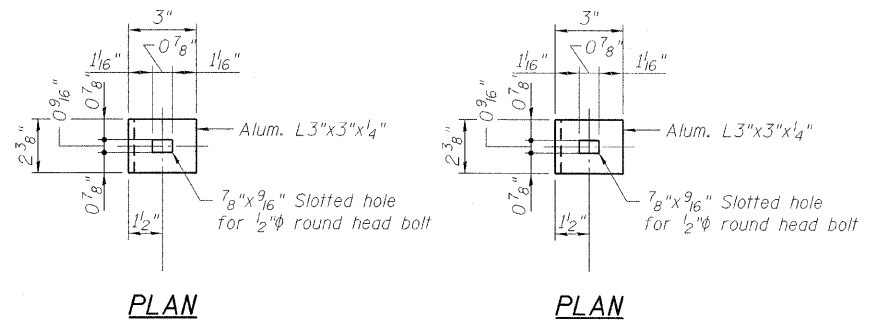
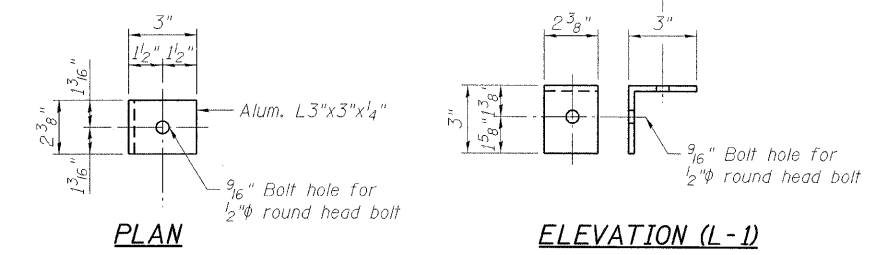
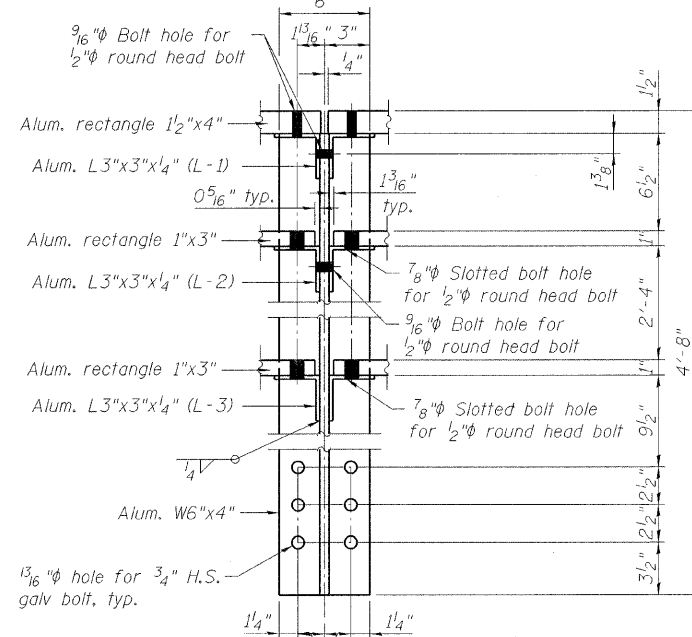
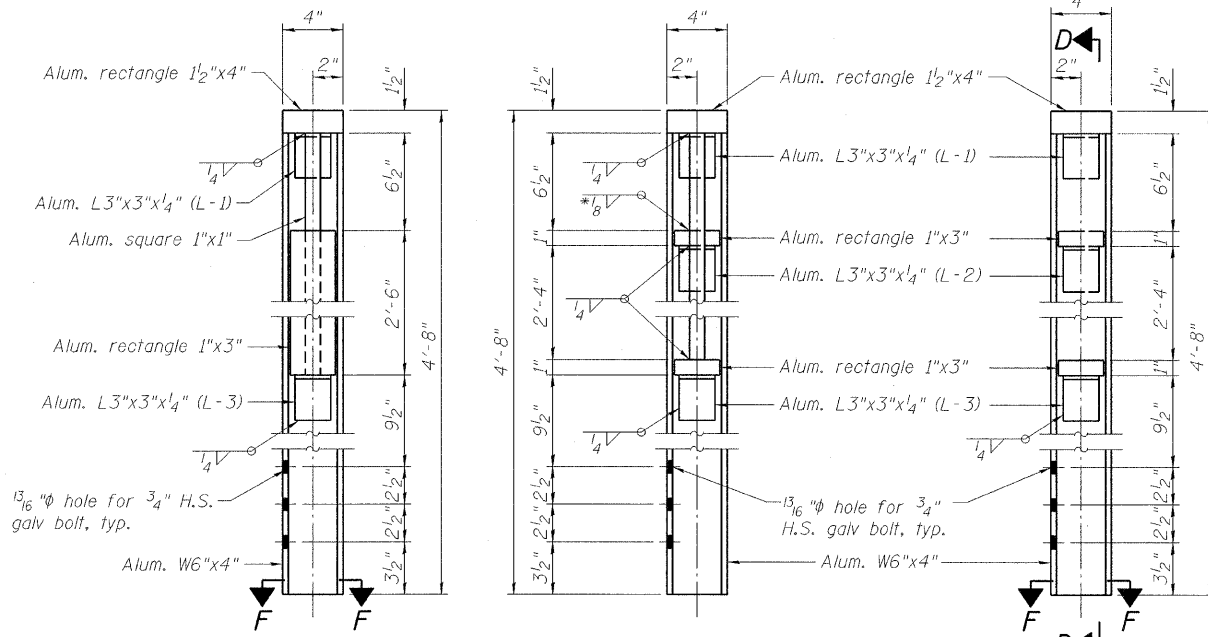


STATE OF ILLINOIS  
DEPARTMENT OF TRANSPORTATION



**LEGEND**  
○ Hole to match existing location  
● New hole

In lieu of the cast-in-place anchor device shown, the Contractor has the option of drilling and setting 3/8" φ anchor rods according to Article 509.06 of the Standard Specifications. Embedment shall be according to the manufacturer's specifications.

DESIGNED	A. HAMMAD
CHECKED	J. GRAINAWI
DRAWN	D. C. PATEL
CHECKED	A. HAMMAD

**HANDRAIL REPAIRS/REPLACEMENT  
STRUCTURE NO. 016-2445**

SHEET NO. 136	F.A.P RTE.	SECTION	COUNTY	TOTAL SHEETS	SHEET NO.
	389	2424.2B-R	COOK	398	217
CONTRACT NO. 60061					
FED. ROAD DIST. NO. 7 ILLINOIS FED. AID PROJECT					

**PB Americas, Inc.**  
230 WEST MONROE STREET,  
SUITE 900  
CHICAGO, IL. 60606

T:\16843A\Structural\Cadd\Pre-final\IEB\_Plans\0162445-60061-HRR-135.dgn  
07-MAY-2009