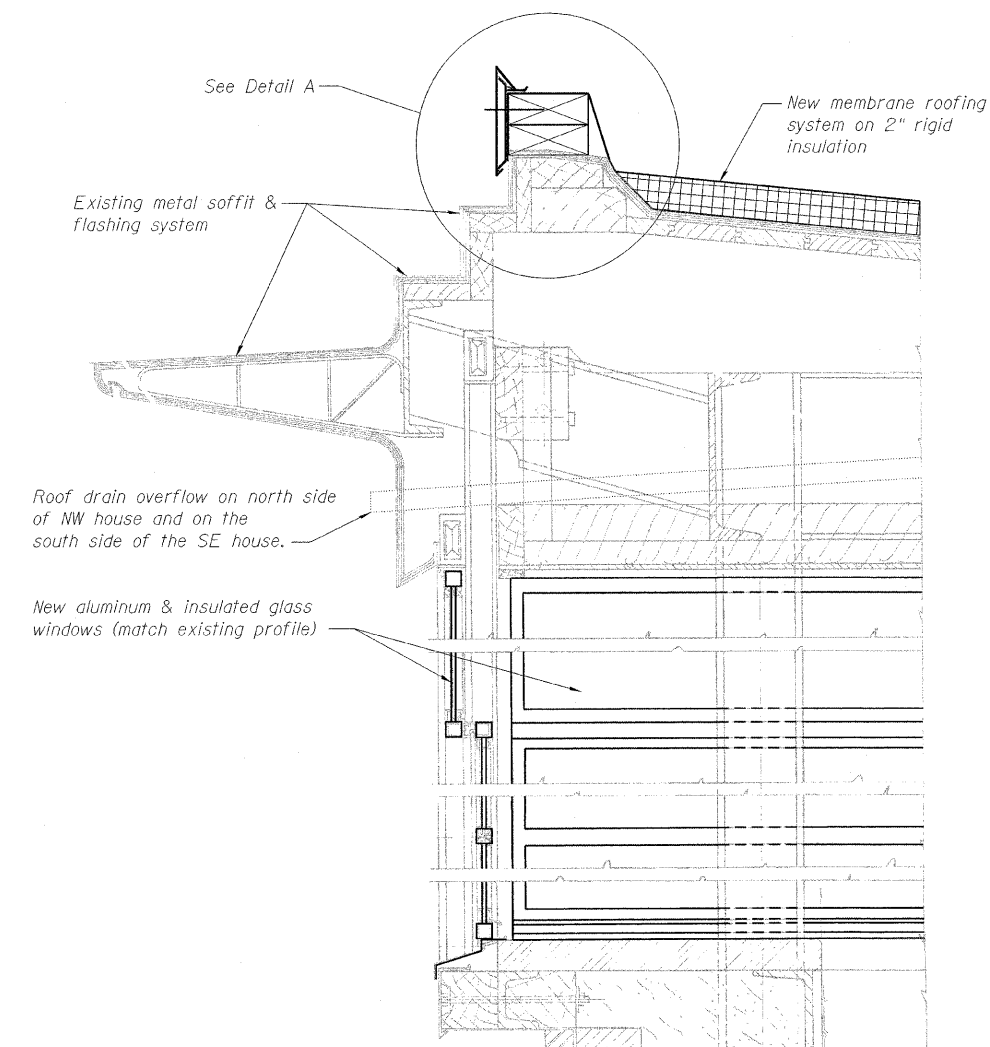
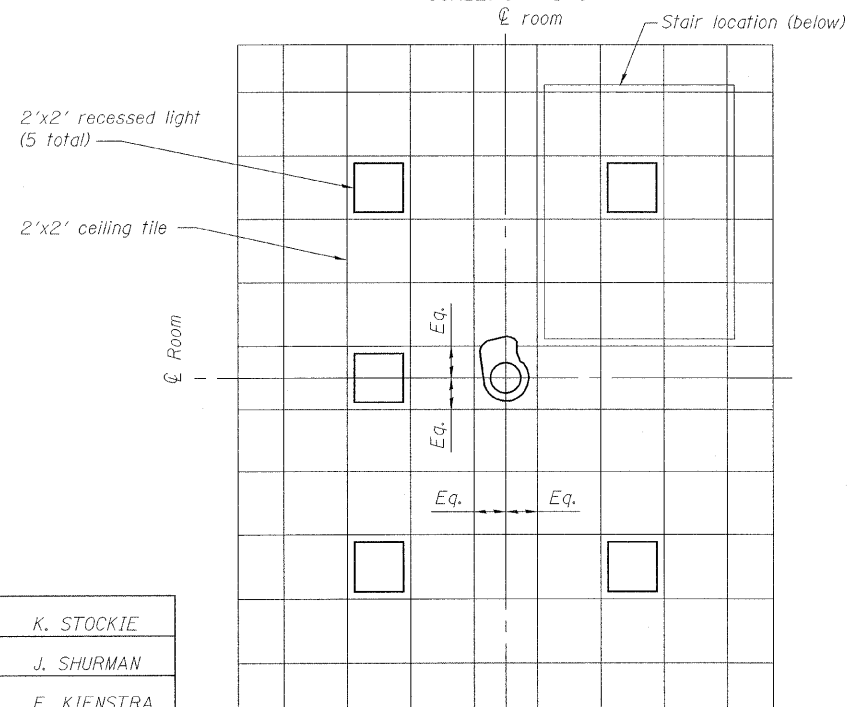


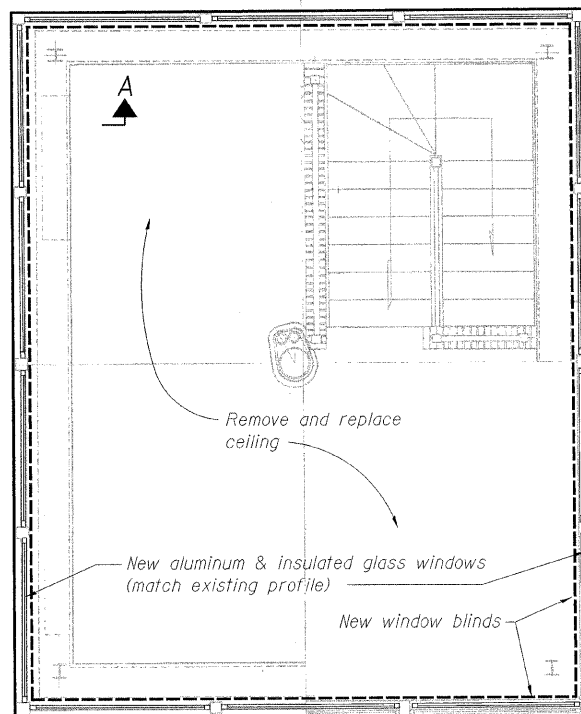
STATE OF ILLINOIS  
DEPARTMENT OF TRANSPORTATION



**SECTION A**  
SCALE: 3" = 1'-0"  
@ room



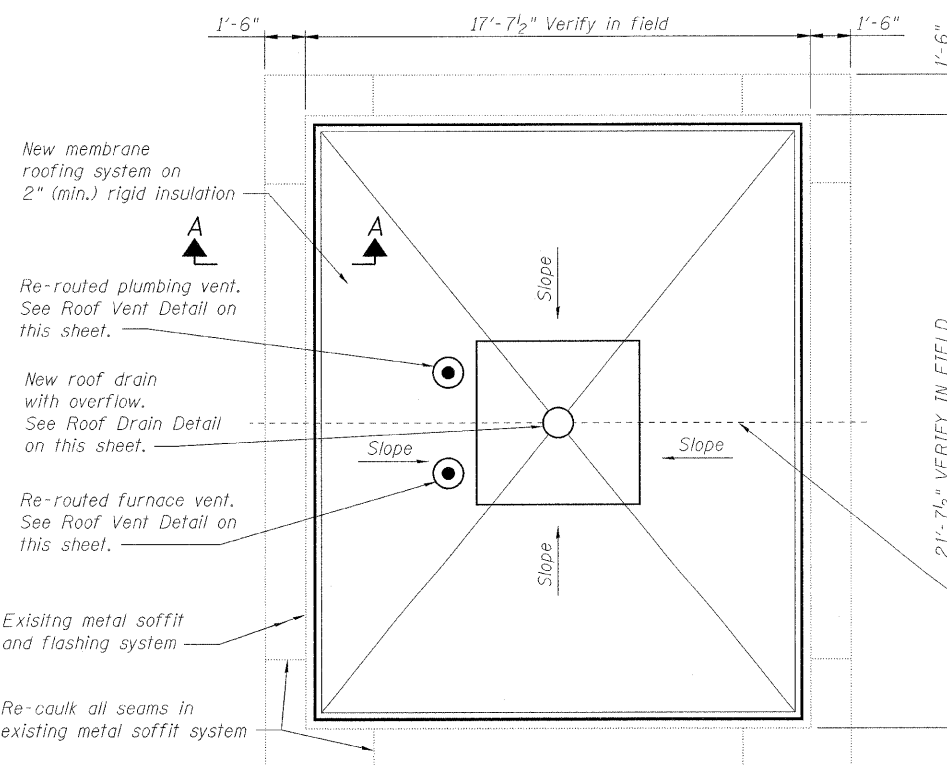
**OPERATOR'S ROOM CEILING PLAN**  
SCALE: 1/2" = 1'-0"



**OPERATOR'S ROOM FLOOR PLAN**

SCALE: 1/2" = 1'-0"

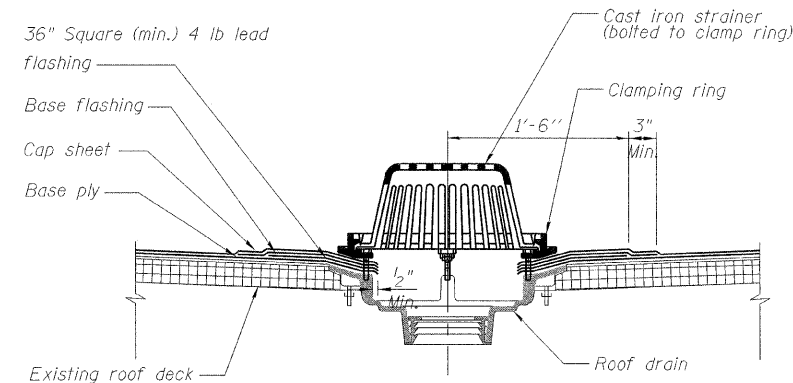
(NW bridgehouse shown - SE bridgehouse similar)



**OPERATOR'S ROOM ROOF PLAN**

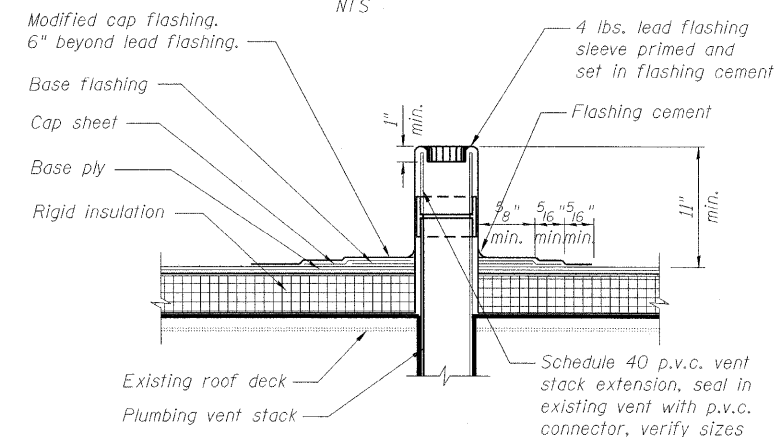
SCALE: 1/2" = 1'-0"

(NW bridgehouse shown - SE bridgehouse similar)



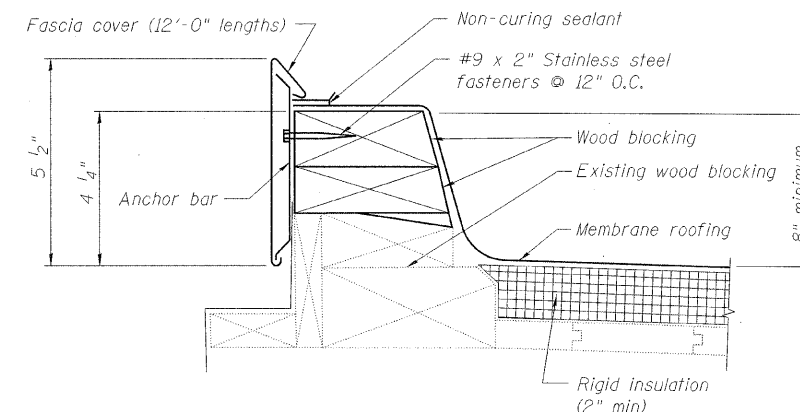
**ROOF DRAIN DETAIL**

NTS



**ROOF VENT DETAIL**

NTS



**DETAIL A**

(Fascia Cover & Roof Detail)

Note:  
Portions of this drawing are extracted from original drawings for this bridge. Details shown are provided to illustrate the work to be performed.

**LEGEND:**

- Existing member to remain
- New member

**ROOF AND WINDOW REPAIR DETAILS**  
**STRUCTURE NO. 016-2445**

SHEET NO. 138	F.A.P. RTE.	SECTION	COUNTY	TOTAL SHEETS	SHEET NO.
	389	2424.2B-R	COOK	398	219
163 SHEETS	CONTRACT NO. 60D61				
FED. ROAD DIST. NO. 7 ILLINOIS FED. AID PROJECT					

**PB Americas, Inc.**  
230 WEST MONROE STREET,  
SUITE 900  
CHICAGO, IL. 60606

DESIGNED	K. STOCKIE
CHECKED	J. SHURMAN
DRAWN	E. KIENSTRA
CHECKED	A. HAMMAD