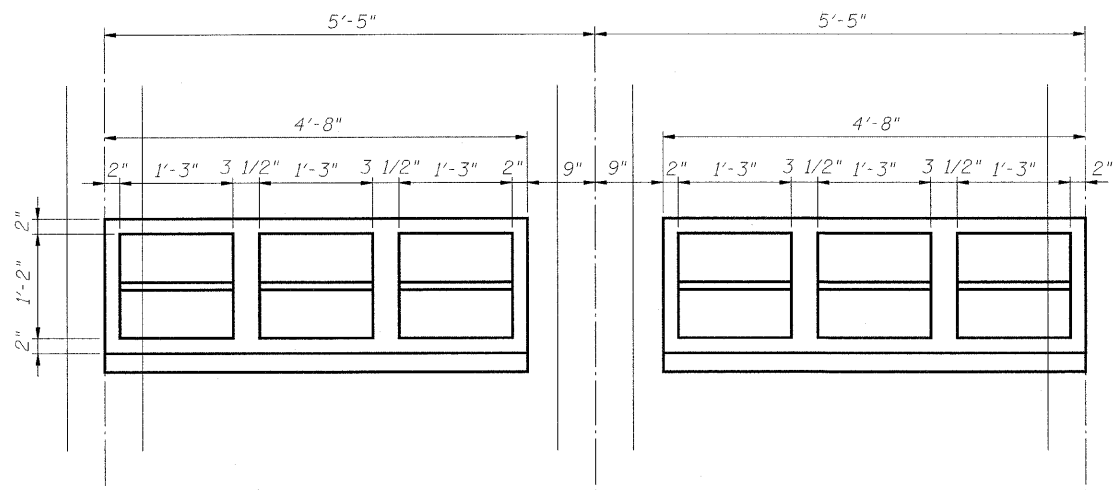
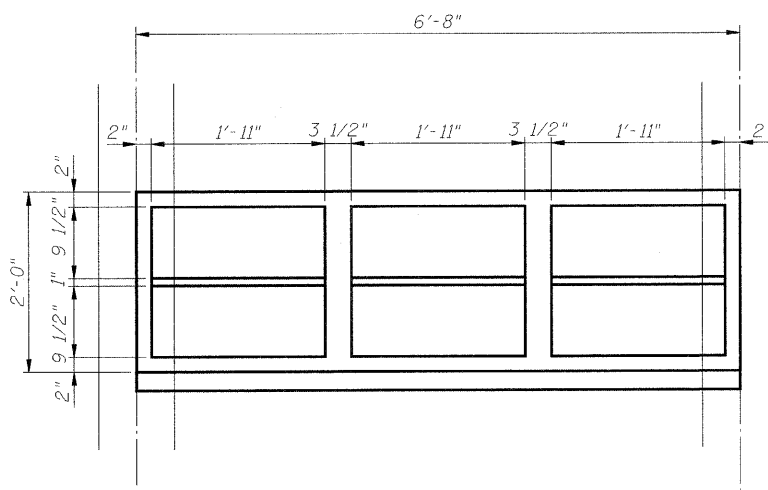


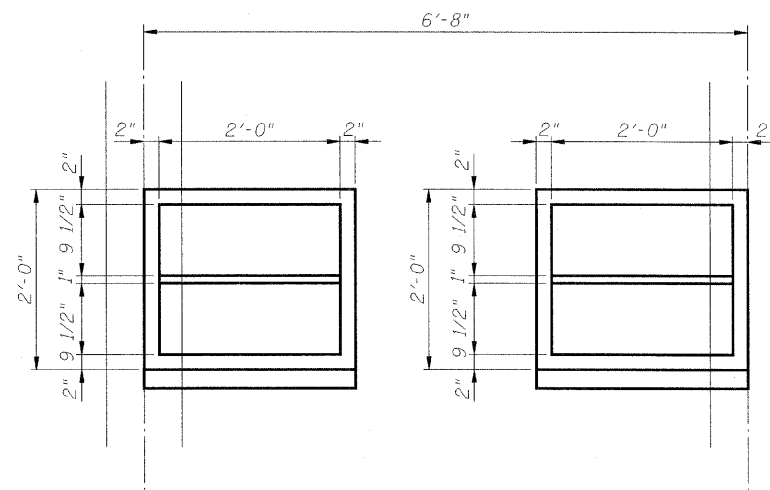
STATE OF ILLINOIS
DEPARTMENT OF TRANSPORTATION



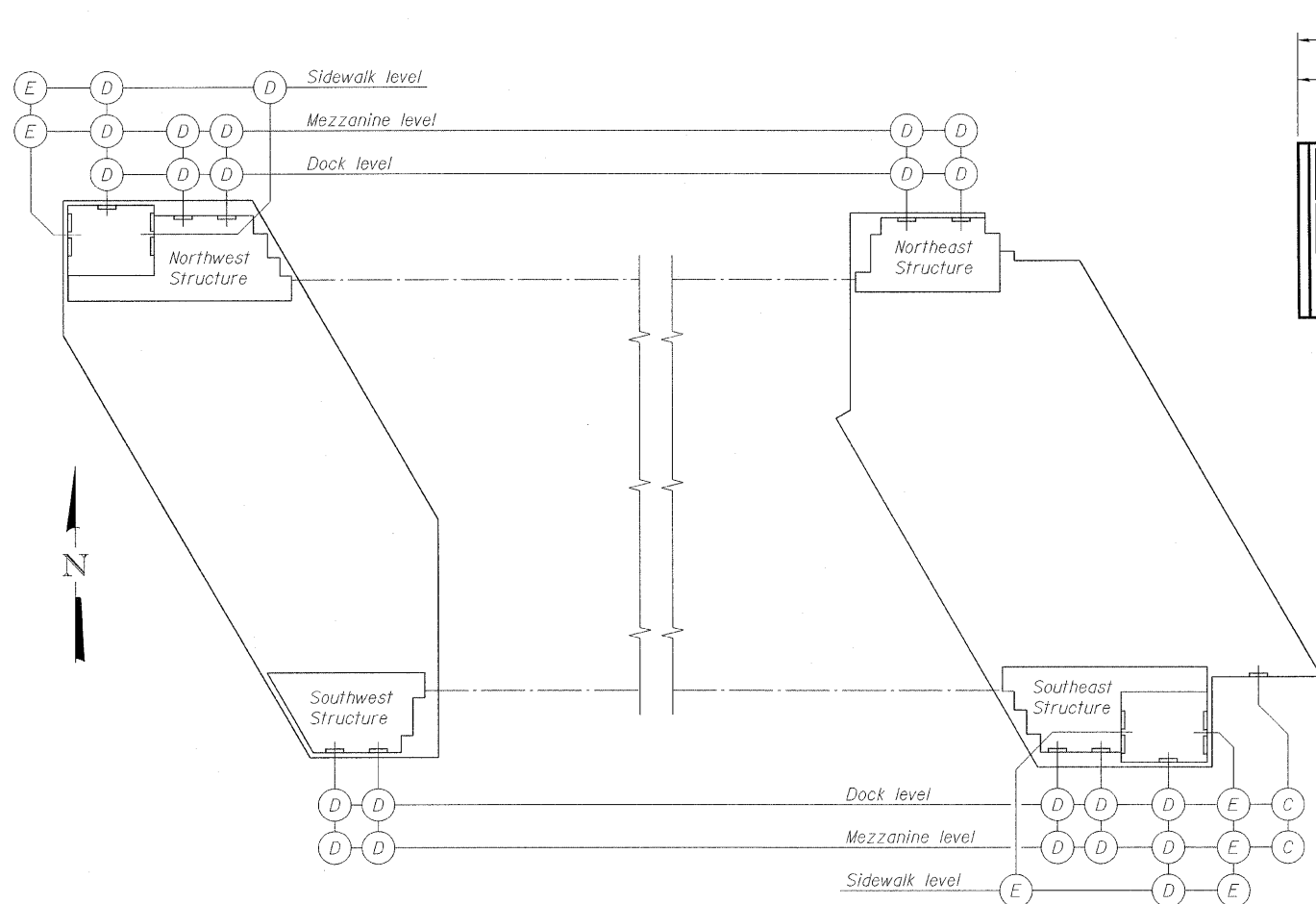
WINDOWS TYPE C



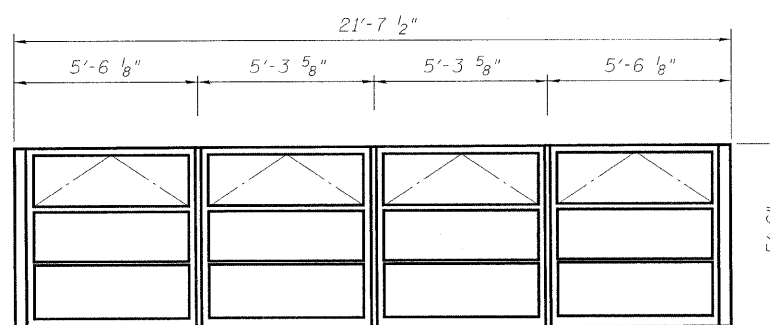
WINDOWS TYPE D



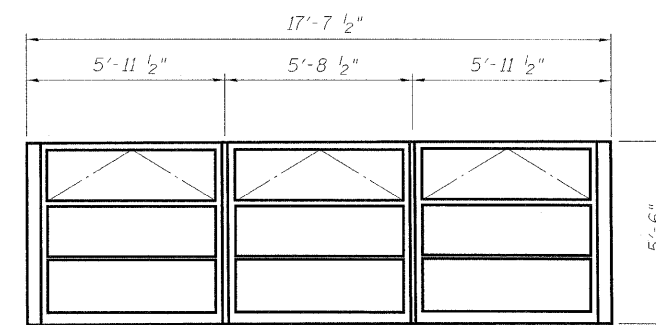
WINDOWS TYPE E



KEY PLAN



NORTH & SOUTH ELEVATIONS
WINDOWS TYPE-A



EAST & WEST ELEVATIONS
WINDOWS TYPE-B

NOTES:

- Window dimensions are shown for reference only. Verify all dimensions in field.

LEGEND:

- Existing member to remain
- New member

DESIGNED	K. STOCKIE
CHECKED	J. SHURMAN
DRAWN	E. KIENSTRA
CHECKED	A. HAMMAD

WINDOW TYPES AND LOCATIONS
STRUCTURE NO. 016-2445

SHEET NO. 141 163 SHEETS	F.A.P. RTE.	SECTION	COUNTY	TOTAL SHEETS	SHEET NO.
	389	2424.2B-R	COOK	398	222
FED. ROAD DIST. NO. 7 ILLINOIS			FED. AID PROJECT		
CONTRACT NO.				60D61	

PB Americas, Inc.
230 WEST MONROE STREET,
SUITE 900
CHICAGO, IL. 60606

T:\16843A\Structural\Cadd\Pre-final\EB_Plans\0162445-60D61-FSR-142.dgn
07-MAY-2009