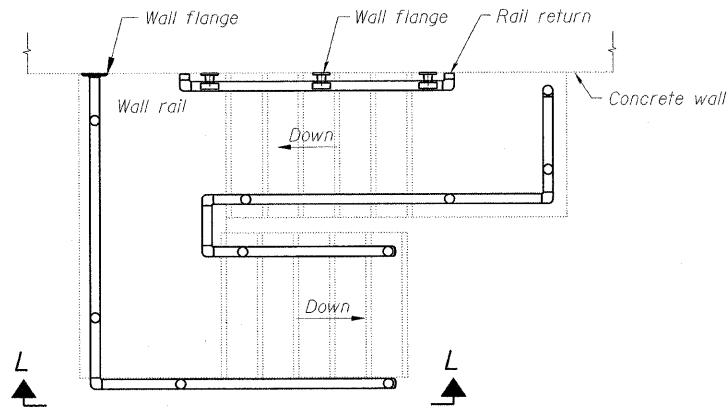
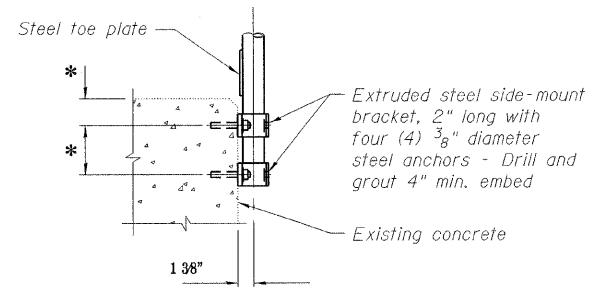


STATE OF ILLINOIS
DEPARTMENT OF TRANSPORTATION



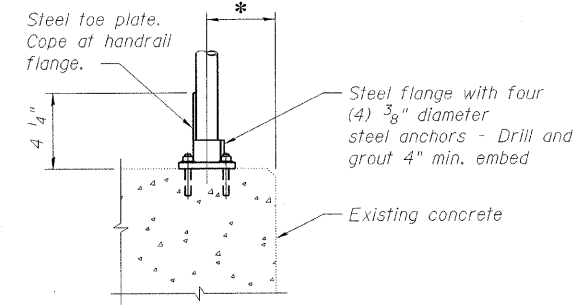
TYPICAL GUARDRAIL AND HANDRAIL AT STAIRWAYS

Guardrails shall be top-mounted or side-mounted, as shown on plans
(Typical dimensions)



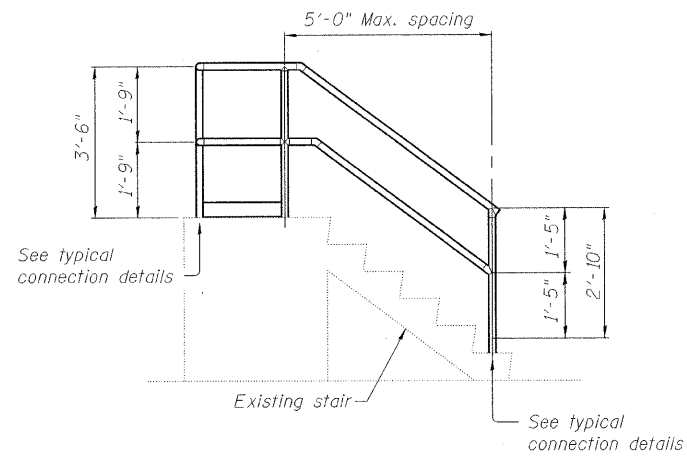
TYPICAL SIDE MOUNT CONNECTION AT CONCRETE

* Manufacturer's recommended dimensions



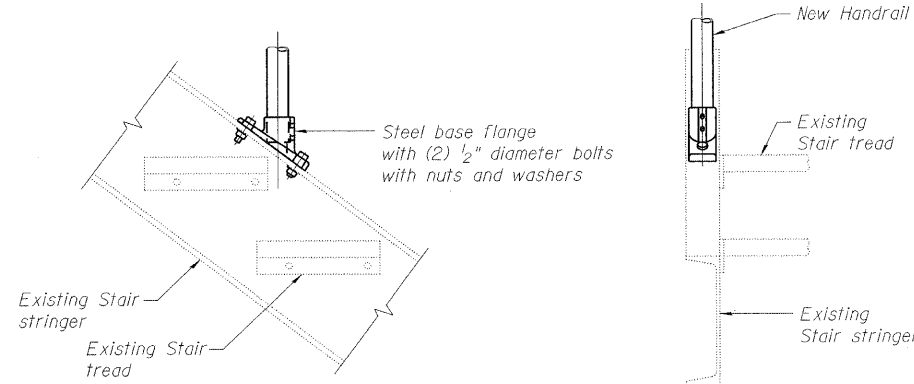
TYPICAL TOP MOUNT CONNECTION AT CONCRETE

* Manufacturer's recommended dimensions

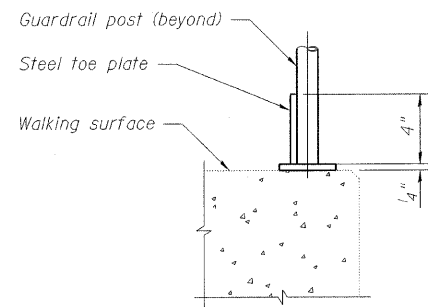


SECTION L-L

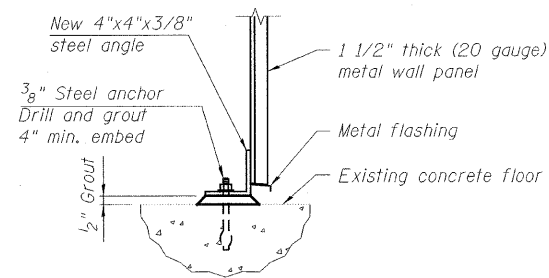
(Typical dimensions)



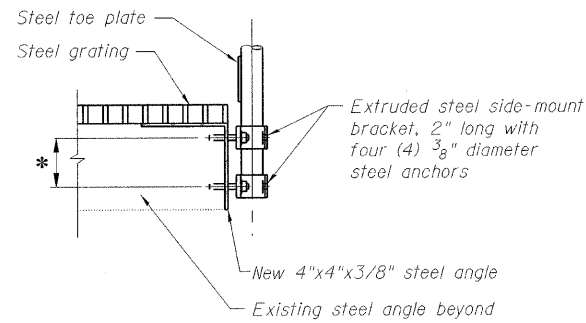
TYPICAL TOP MOUNT CONNECTION TO STRINGER



TYPICAL TOE PLATE DETAIL

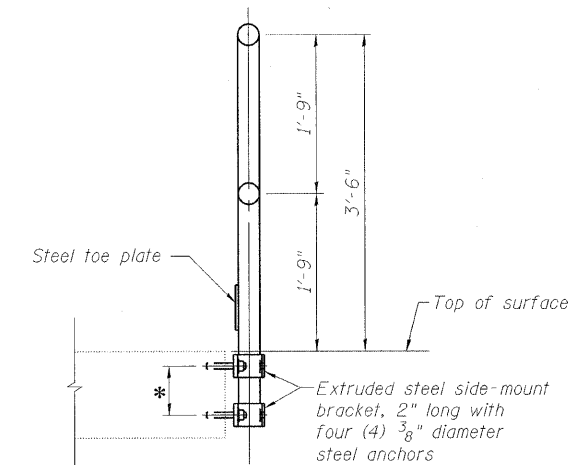


STEEL ANGLE DETAIL



TYPICAL SIDE MOUNT CONNECTION AT PLATFORM

* Manufacturer's recommended dimensions



TYPICAL GUARDRAIL SECTION

* Manufacturer's recommended dimensions

DESIGNED	K. STOCKIE
CHECKED	J. SHURMAN
DRAWN	E. KIENSTRA
CHECKED	A. HAMMAD

LEGEND:

- Existing member to remain
- New member

PB Americas, Inc.
230 WEST MONROE STREET,
SUITE 900
CHICAGO, IL. 60606

SHEET NO. 146	F.A.P. RTE.	SECTION	COUNTY	TOTAL SHEETS	SHEET NO.
	389	2424.2B-R	COOK	398	227
163 SHEETS	CONTRACT NO. 60D61				
FED. ROAD DIST. NO. 7 ILLINOIS FED. AID PROJECT					

**STAIR RAILING DETAILS
STRUCTURE NO. 016-2445**