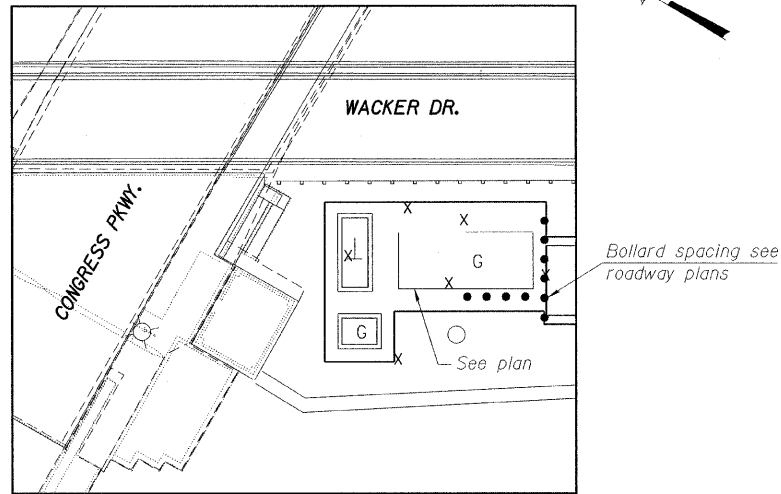
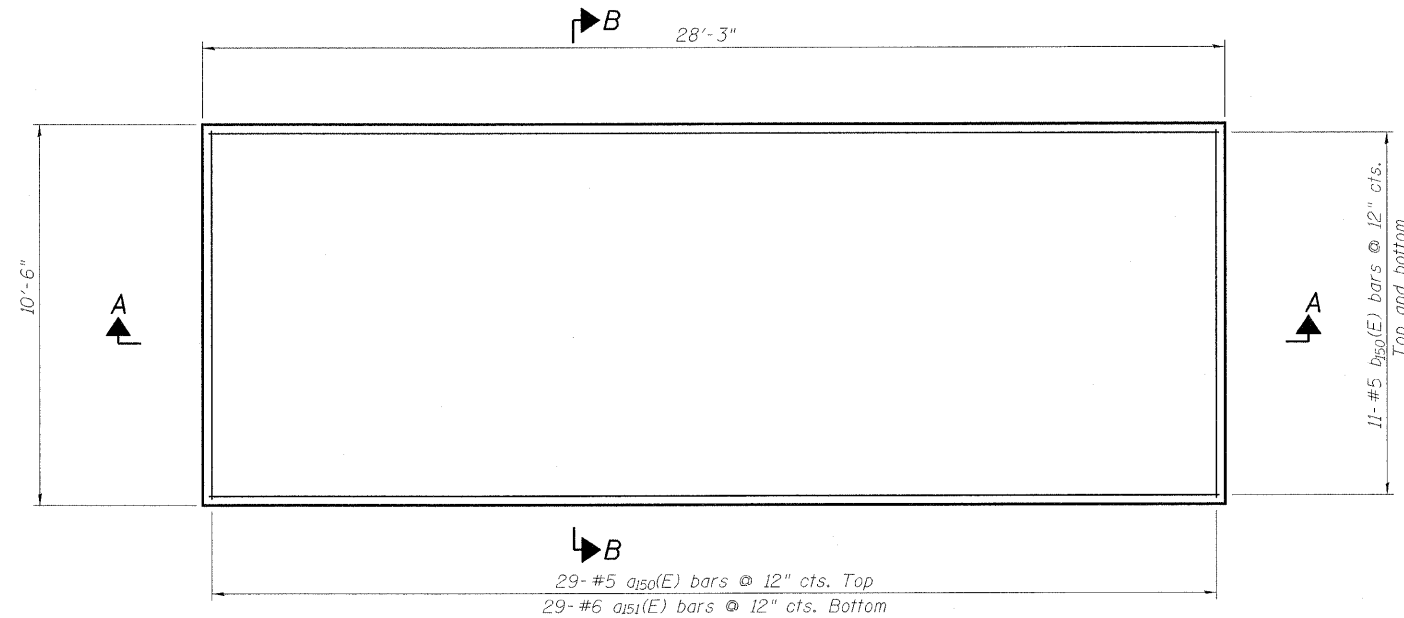


STATE OF ILLINOIS  
DEPARTMENT OF TRANSPORTATION



KEY PLAN

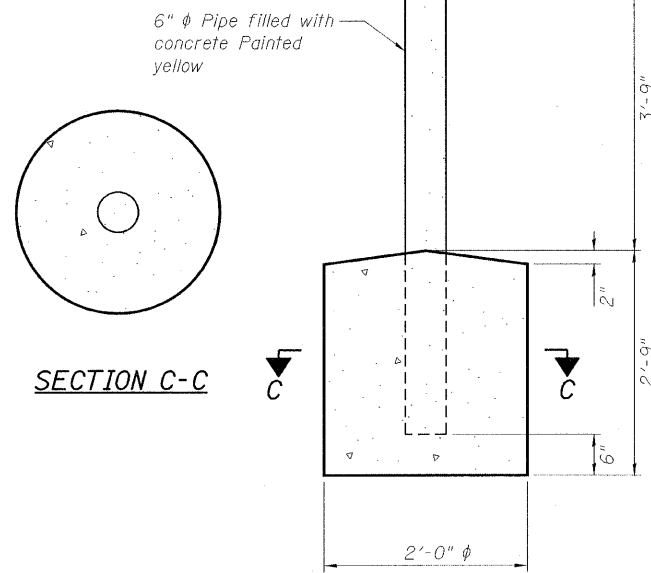


PLAN

BILL OF MATERIAL

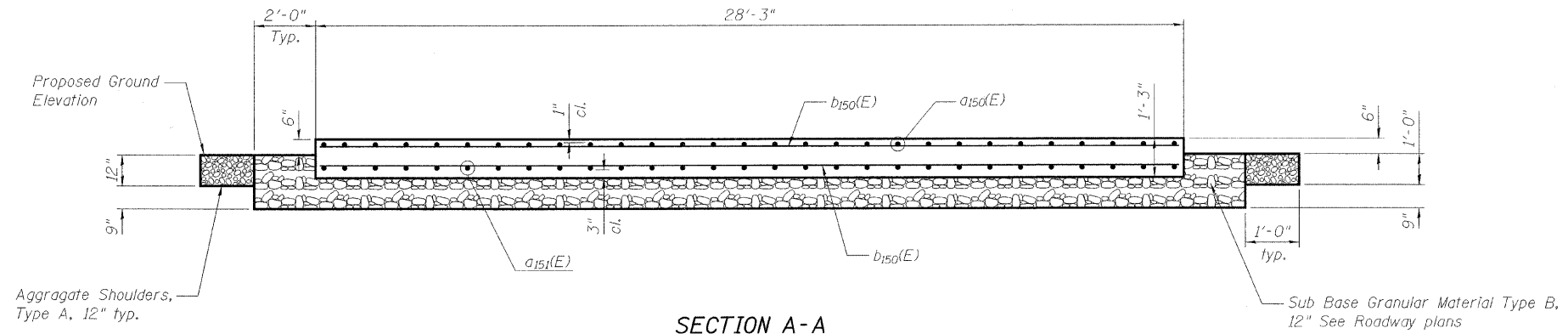
Bar	No.	Size	Length	Shape
a150(E)	29	#5	10'-2"	—
a151(E)	29	#6	10'-2"	—
b150(E)	22	#5	27'-11"	—
Reinforcement Bars, Epoxy Coated		Pound	1400	
Concrete Structures		Cu. Yds.	13.8	
Bollard		Each	10	

Note:  
Quantities shown are for information only, see roadway plans.

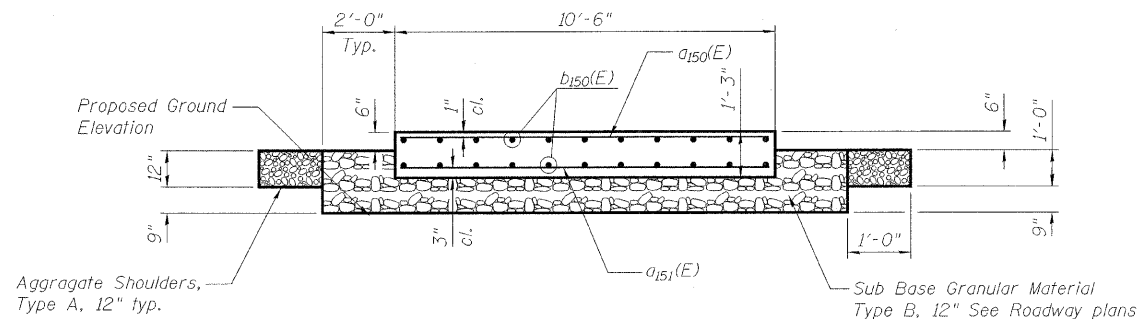


SECTION C-C

BOLLARD DETAIL



SECTION A-A



SECTION B-B

Notes:  
Contractor shall coordinate all work with ComEd and emergency generator manufacturer and as required by the Engineer.  
The cost of additional thickness of sub-base granular material shall be included in the contract unit price for sub-base granular material type B, 12"

CONCRETE SLAB FOR  
EMERGENCY GENERATOR  
STRUCTURE NO. 016-2445

DESIGNED	A. HAMMAD
CHECKED	J. GRAINAWI
DRAWN	D. C. PATEL
CHECKED	A. HAMMAD

**PB Americas, Inc.**  
230 WEST MONROE STREET,  
SUITE 900  
CHICAGO, IL. 60606

SHEET NO. 156	F.A.P RTE.	SECTION	COUNTY	TOTAL SHEETS	SHEET NO.
163 SHEETS	389	2424.2B-R	COOK	398	237
			CONTRACT NO. 60D61		
FED. ROAD DIST. NO. 7 ILLINOIS FED. AID PROJECT					