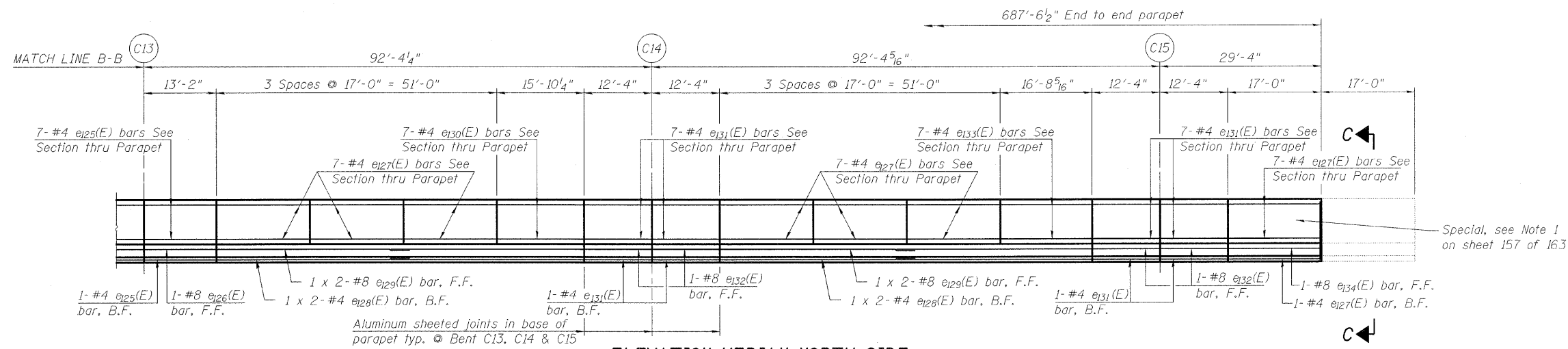
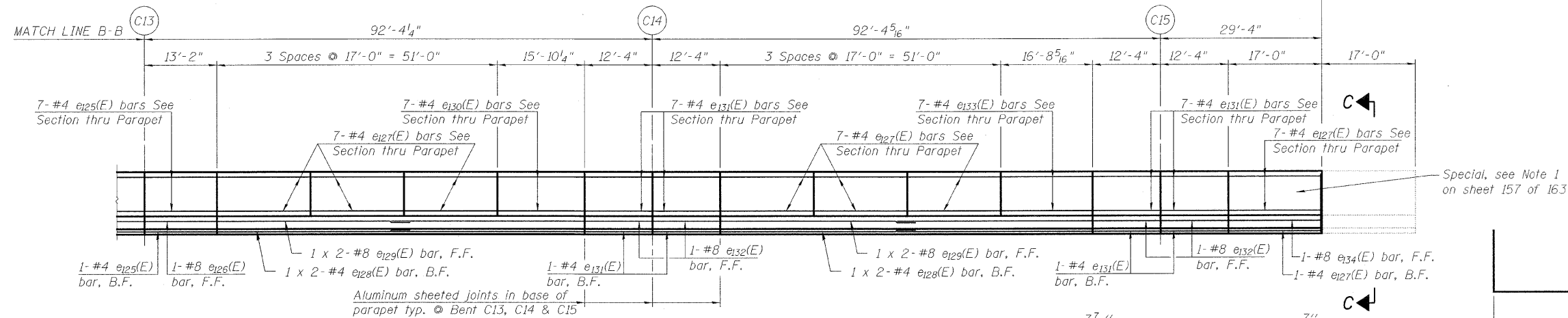


STATE OF ILLINOIS
DEPARTMENT OF TRANSPORTATION

SUPERSTRUCTURE
BILL OF MATERIAL



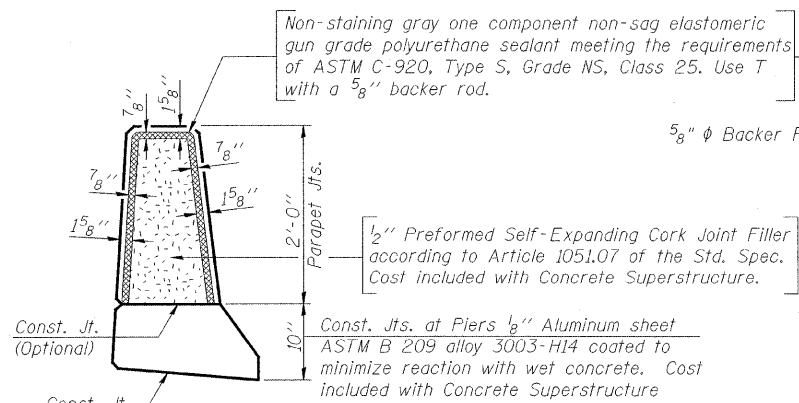
ELEVATION MEDIAN NORTH SIDE
(Showing outside face on existing deck)



ELEVATION MEDIAN SOUTH SIDE
(Showing inside face on existing deck)

Bar	No.	Size	Length	Shape
d100(E)	750	#5	5'-7"	┆
d101(E)	750	#5	4'-8"	┆
d102(E)	9	#6	4'-5"	┆
d103(E)	15	#6	8'-11"	┆
d104(E)	12	#4	4'-11"	┆
d105(E)	9	#5	2'-9"	┆
d106(E)	24	#5	1'-3"	┆
e100(E)	28	#4	15'-3"	┆
e101(E)	2	#4	31'-7"	┆
e102(E)	2	#8	32'-7"	┆
e103(E)	16	#4	11'-0"	┆
e104(E)	2	#8	11'-0"	┆
e105(E)	21	#4	18'-7"	┆
e106(E)	2	#4	28'-11"	┆
e107(E)	2	#8	29'-11"	┆
e108(E)	28	#4	16'-7"	┆
e109(E)	2	#4	34'-4"	┆
e110(E)	2	#8	35'-5"	┆
e111(E)	16	#4	10'-7"	┆
e112(E)	2	#8	10'-7"	┆
e113(E)	21	#4	18'-5"	┆
e114(E)	2	#4	28'-7"	┆
e115(E)	2	#8	29'-7"	┆
e116(E)	16	#4	11'-5"	┆
e117(E)	2	#8	11'-5"	┆
e118(E)	28	#4	19'-2"	┆
e119(E)	2	#4	39'-7"	┆
e120(E)	2	#8	40'-7"	┆
e121(E)	21	#4	17'-8"	┆
e122(E)	2	#4	36'-7"	┆
e123(E)	2	#8	37'-8"	┆
e124(E)	7	#4	18'-0"	┆
e125(E)	16	#4	12'-11"	┆
e126(E)	2	#8	12'-11"	┆
e127(E)	49	#4	16'-9"	┆
e128(E)	4	#4	34'-0"	┆
e129(E)	4	#8	35'-0"	┆
e130(E)	7	#4	15'-7"	┆
e131(E)	32	#4	12'-1"	┆
e132(E)	4	#8	12'-1"	┆
e133(E)	7	#4	16'-5"	┆
e134(E)	1	#8	16'-9"	┆
e135(E)	3	#8	2'-3"	┆
Reinforcement Bars, Epoxy Coated		Pound	13900	
Concrete Superstructure		Cu. Yds.	145	

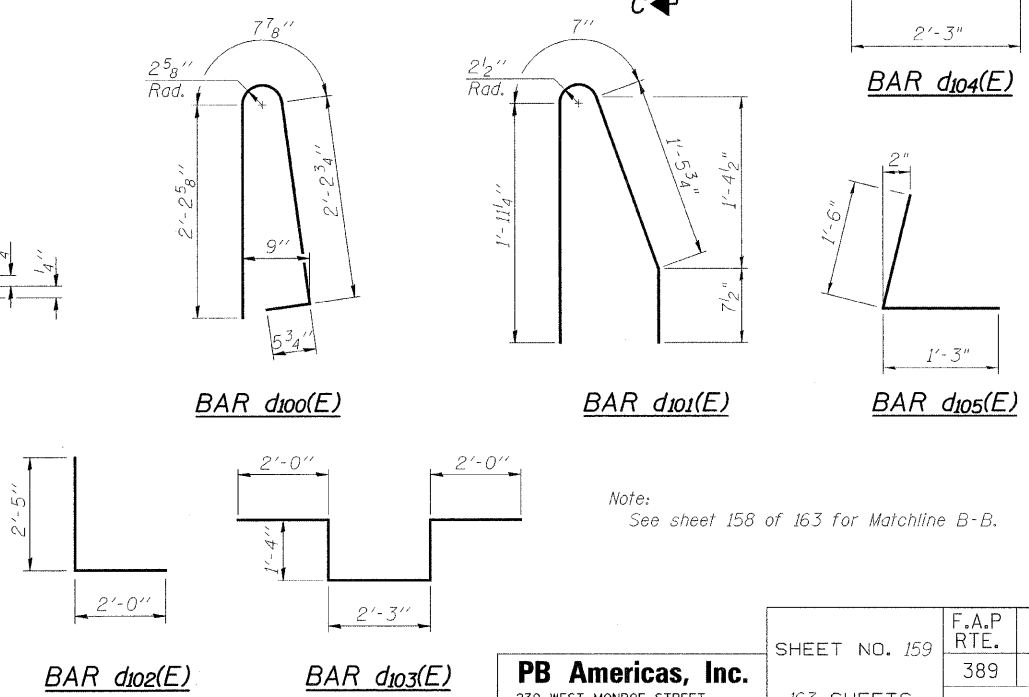
Bars indicated thus 1 x 2 - #8 etc. indicates 1 line of bars with 2 lengths per line.



PARAPET JOINT DETAILS

Notes:
Drains shall be located clear of all diaphragms.
The exterior surfaces of the floor drains shall be painted with the finish coat as specified in the special provisions for Cleaning and Painting New Metal Structures. The exterior surfaces of the drains shall be cleaned according to Steel Structures Painting Council's Spec. SSPC-SPI prior to painting.
Fiberglass pipe shall conform to ASTM D 2996, with short-time rupture strength hoop tensile stress of 30,000 p.s.i. minimum.

DESIGNED	A. HAMMAD
CHECKED	J. GRAINAWI
DRAWN	D. C. PATEL
CHECKED	A. HAMMAD



Note:
See sheet 158 of 163 for Matchline B-B.

SUPERSTRUCTURE DETAILS
STRUCTURE NO. 016-0461

SHEET NO. 159	F.A.P R.T.E. 389	SECTION 2424.2B-R	COUNTY COOK	TOTAL SHEETS 398	SHEET NO. 240
163 SHEETS	CONTRACT NO. 60D61		FED. ROAD DIST. NO. 7 ILLINOIS FED. AID PROJECT		

PB Americas, Inc.
230 WEST MONROE STREET,
SUITE 900
CHICAGO, IL. 60606