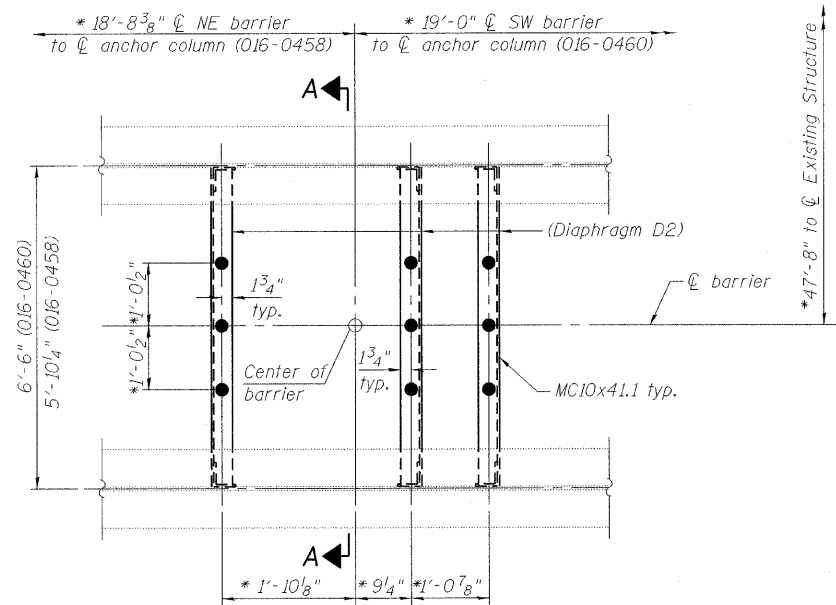
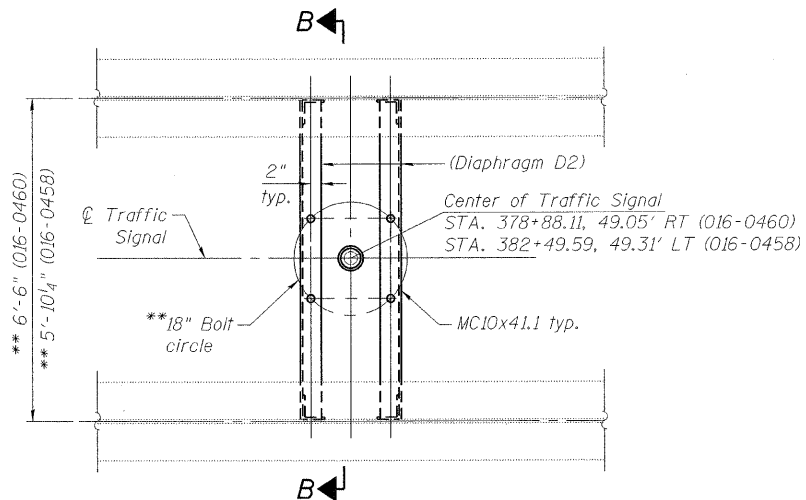


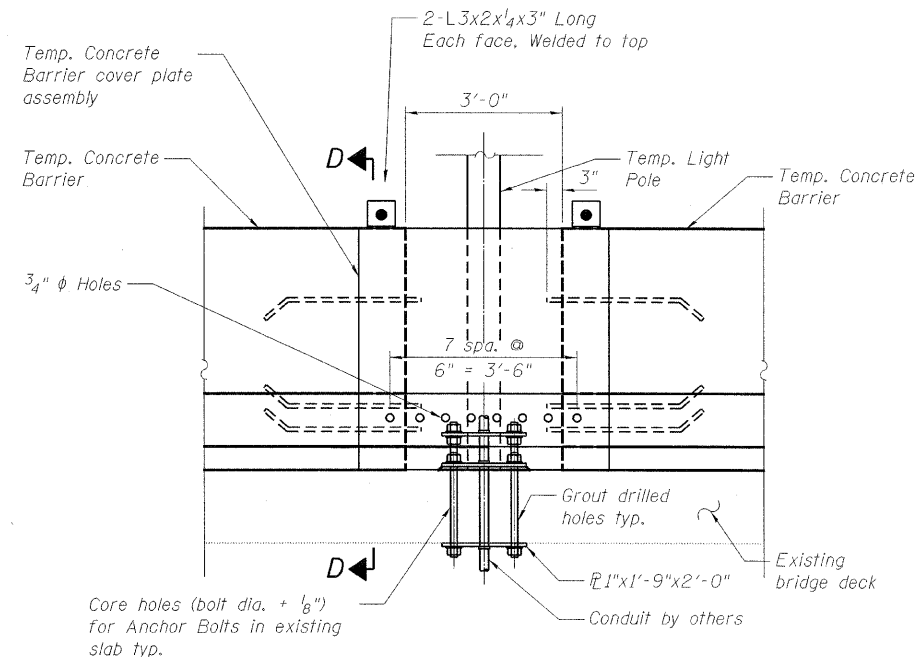
STATE OF ILLINOIS
DEPARTMENT OF TRANSPORTATION



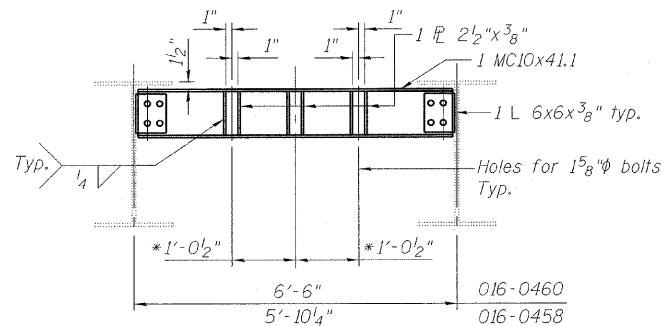
TRAFFIC BARRIER ANCHORAGE PLAN
(Structure Nos. 016-0458 & 016-0460)



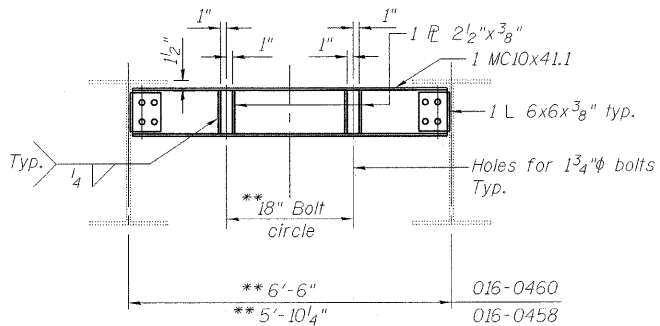
TRAFFIC SIGNAL ANCHORAGE PLAN
(Structure Nos. 016-0458 & 016-0460)



TEMP. CONC. BARRIER COVER PLATE AT TEMP LIGHT POLE
(3 Locations, each stage)

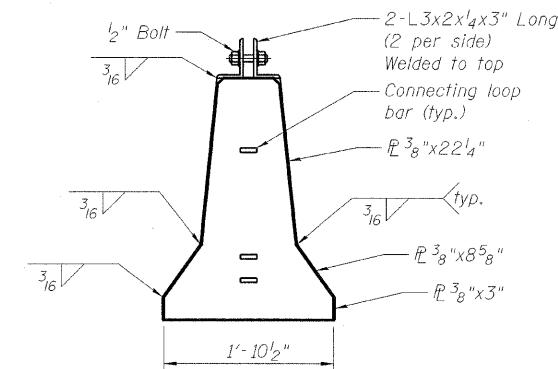


SECTION A-A



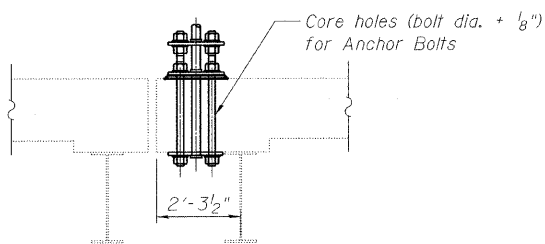
SECTION B-B

**Dimensions to be verified in field. Coordinate location of anchor bolts with traffic signal manufacturer drawings.



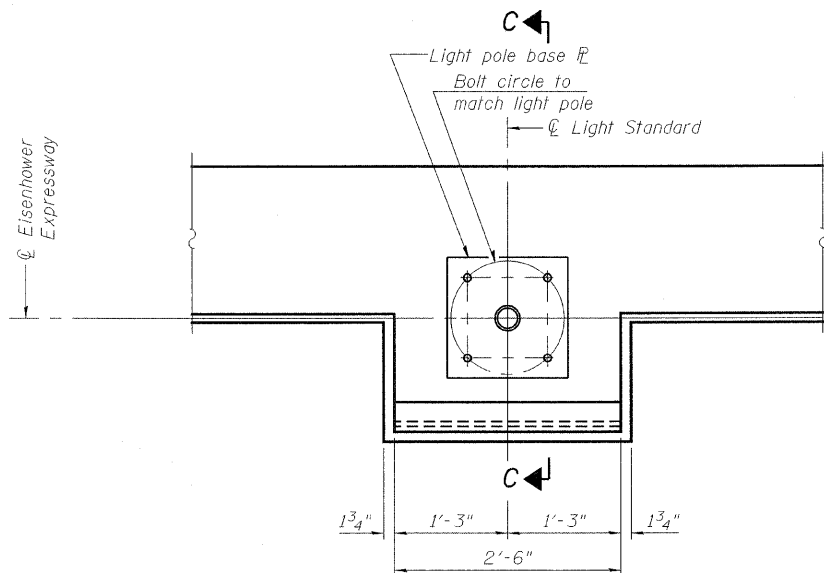
SECTION D-D

*Coordinate location of anchor bolts with traffic barrier on mechanical drawings.



SECTION C-C

(Temp. Light Standard Hold down detail during Shutdown Stage)



PLAN

(3 Nos., for location see sheets 157 and 158 of 163)

LEGEND

- Existing fastener to remain
- Hole to match existing location
- New hole
- Existing member to remain
- New member

Notes:

Thickness of existing reinforced concrete slab shall be verified in the field by the Contractor.
Contractor to locate centerline of light pole to miss existing beam below and various conduit runs.
The cost for mounting bracket assembly to existing structure for traffic signal temporary and permanent lighting poles will be included in the cost of "Mounting Bracket - Traffic Signal Pole to Existing Structure", "Mounting Bracket - Temporary Lighting Pole to Existing Structure" and "Mounting Bracket - Permanent Lighting Pole to Existing Structure".

MISCELLANEOUS DETAILS
FIXED SPANS
STRUCTURE NO. 016-0458,
STRUCTURE NO. 016-0460 &
STRUCTURE NO. 016-0461

DESIGNED	A. HAMMAD
CHECKED	J. GRAINAWI
DRAWN	D. C. PATEL
CHECKED	A. HAMMAD

SHEET NO. 163	F.A.P RTE.	SECTION	COUNTY	TOTAL SHEETS	SHEET NO.
	389	2424.2B-R	COOK	398	244
163 SHEETS			CONTRACT NO. 60D61		
FED. ROAD DIST. NO. 7 ILLINOIS FED. AID PROJECT					

PB Americas, Inc.
230 WEST MONROE STREET,
SUITE 900
CHICAGO, IL. 60606