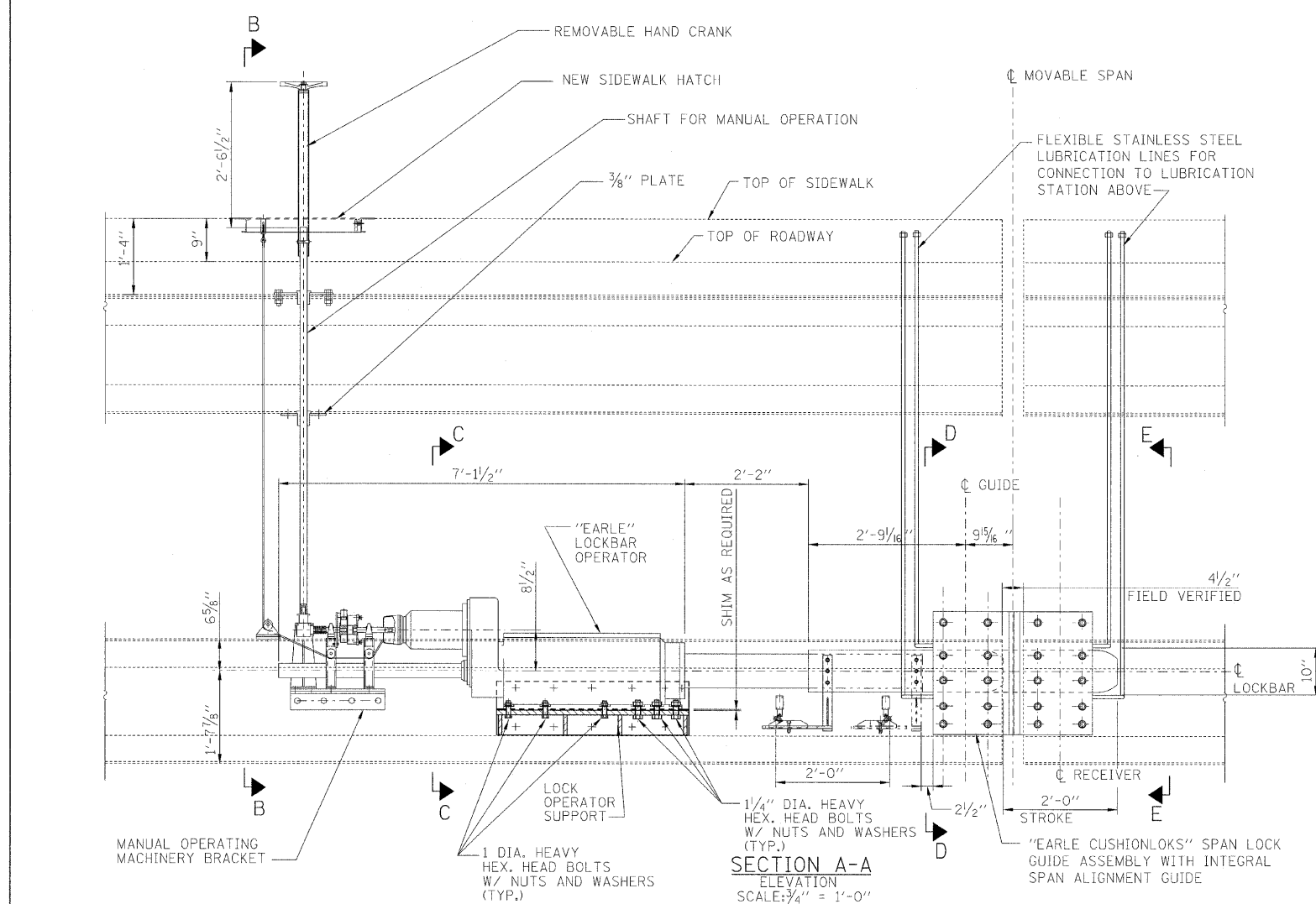
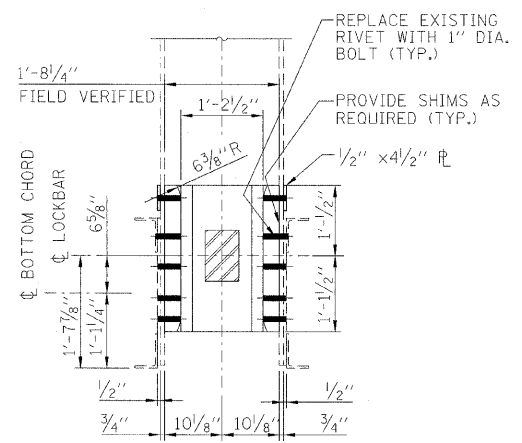


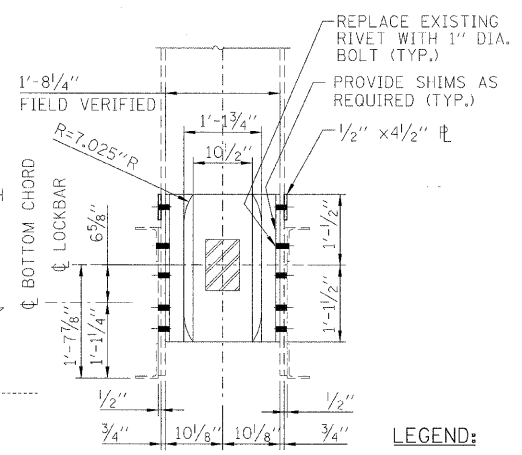
CENTER LOCK ASSEMBLY PLAN (2 REQUIRED)
SCALE: 3/4" = 1'-0"



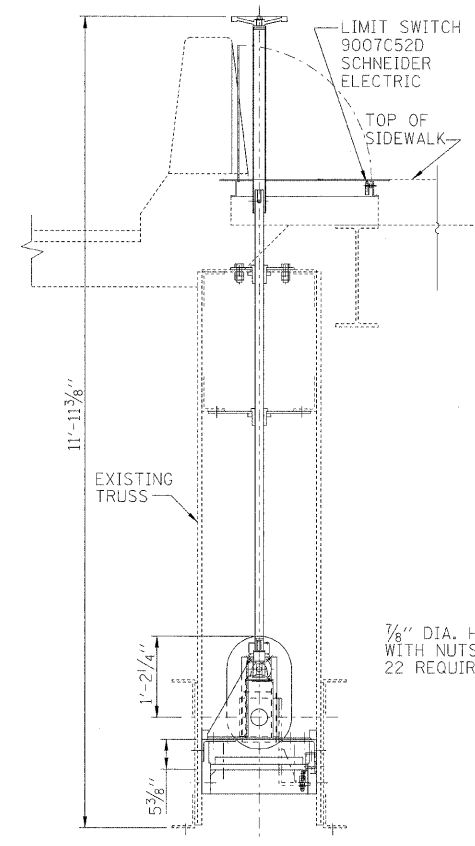
SECTION A-A ELEVATION
SCALE: 3/4" = 1'-0"



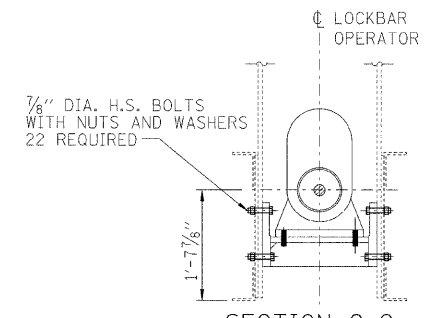
SECTION E-E LOCKBAR RECEIVER
SCALE: 3/4" = 1'-0"



SECTION D-D LOCKBAR GUIDE
SCALE: 3/4" = 1'-0"



SECTION B-B
SCALE: 3/4" = 1'-0"



SECTION C-C
SCALE: 3/4" = 1'-0"

LEGEND:

- - - - - EXISTING MEMBER TO REMAIN
- NEW MEMBER

NOTES:

- FOR GENERAL NOTES, SEE SHEET M-01.
- WORK THIS DRAWING WITH SHEETS M-11 THRU M-17.
- CONTRACTOR SHALL VERIFY ALL DIMENSIONS.
- DETAILS OF LOCKBAR RECEIVER AND LOCKBAR GUIDES NOT SHOWN FOR CLARITY.
- NEW "EARLE" LOCKBAR BAR OPERATOR AND "EARLE CUSHIONLOKS" WITH SPAN GUIDE INTEGRAL SHALL BE MANUFACTURED BY STEWARD MACHINE COMPANY OR APPROVED EQUAL.

PB Americas, Inc.
230 WEST MONROE STREET,
SUITE 900
CHICAGO, IL. 60606

USER NAME = anarba	DESIGNED - V. LEVIT	REVISED -
FILE NAME = D168d61-sh1-mec-12.dgn	DRAWN - V. LEVIT	REVISED -
PLOT SCALE = NONE	CHECKED - D. NYARKO	REVISED -
PLOT DATE = 5/7/2009	DATE - MAY 8, 2009	REVISED -

**STATE OF ILLINOIS
DEPARTMENT OF TRANSPORTATION**

OUTSIDE CENTER LOCKS MACHINERY PLAN

SCALE: AS SHOWN SHEET NO. M-12 OF M-27 SHEETS STA. 379+06.09 TO STA. 382+45.28

F.A.P. RTE.	SECTION	COUNTY	TOTAL SHEETS	SHEET NO.
389	2424-2B-R	COOK	398	256
CONTRACT NO. 60D61				

FED. ROAD DIST. NO. 1 ILLINOIS FED. AID PROJECT