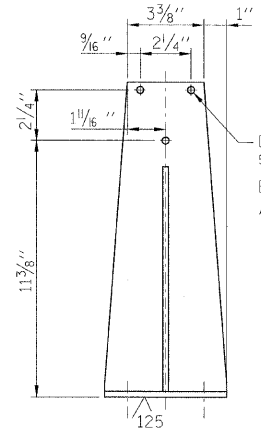
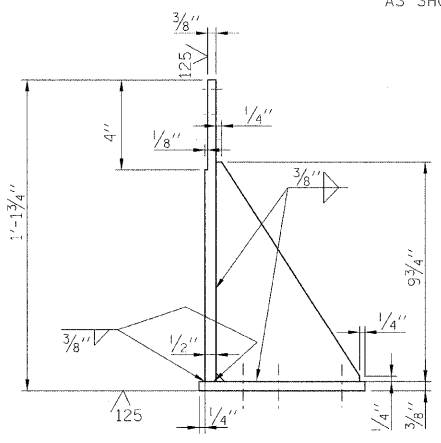
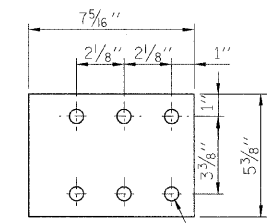


DRILL AND REAM FOR 5/8" DIA. H.S. TURNED BOLTS - FOR 6 HOLES AS SHOWN.



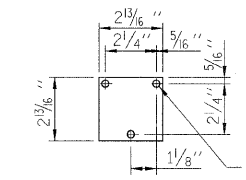
DRILL AND REAM FOR 5/8" DIA. H.S. TURNED BOLTS - FOR 3 HOLES AS SHOWN.

GEARBOX SUPPORT BRACKET (4 REQUIRED)
SCALE: 3"=1'-0"



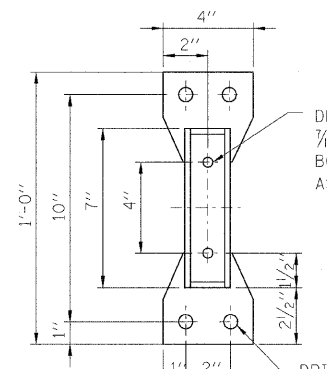
DRILL AND REAM FOR 5/8" DIA. H.S. TURNED BOLTS - FOR 6 HOLES AS SHOWN.

SHIM PLATE (FOR SUPPORT BRACKET)
SCALE: 3"=1'-0"

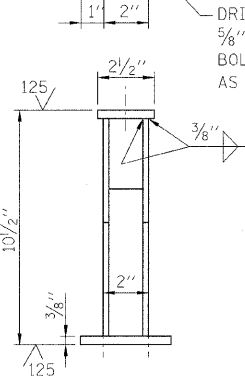


DRILL AND REAM FOR 5/8" DIA. H.S. TURNED BOLTS - FOR 3 HOLES AS SHOWN.

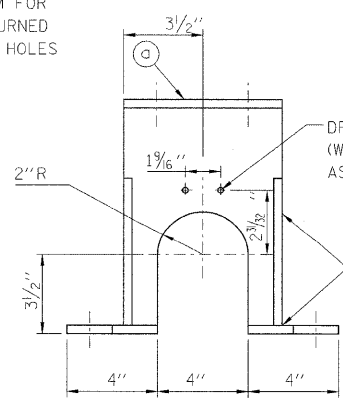
SHIM PLATE (FOR GEARBOX)
SCALE: 3"=1'-0"



DRILL AND REAM FOR 7/16" DIA. H.S. TURNED BOLTS - FOR 2 HOLES AS SHOWN.

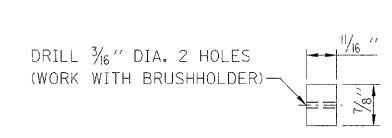


DRILL AND REAM FOR 5/8" DIA. H.S. TURNED BOLTS - FOR 4 HOLES AS SHOWN.



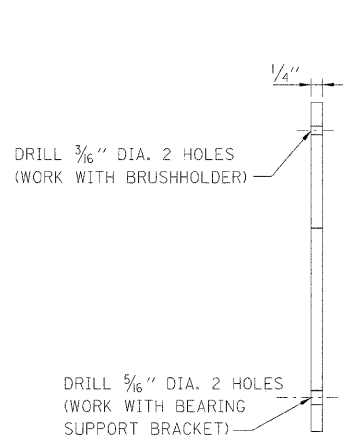
DRILL 3/16" DIA. 2 HOLES (WORK WITH BRUSHHOLDER ASSEMBLY SUPPORT BRACKET)

BEARING SUPPORT BRACKET (4 REQUIRED)
SCALE: 3"=1'-0"



DRILL 3/16" DIA. 2 HOLES (WORK WITH BRUSHHOLDER)

BRUSHHOLDER ASSEMBLY SHIM PLATE (4 REQUIRED)
SCALE: 6"=1'-0"



DRILL 3/16" DIA. 2 HOLES (WORK WITH BRUSHHOLDER)

DRILL 5/8" DIA. 2 HOLES (WORK WITH BEARING SUPPORT BRACKET)

BRUSHHOLDER ASSEMBLY SUPPORT BRACKET (4 REQUIRED)
SCALE: 6"=1'-0"

NOTES:

- FOR GENERAL NOTES, SEE SHEET. M-01.
- MATERIAL FOR ALL SUPPORT DETAILS SHALL BE ASTM A709, GRADE 50.
- WORK THIS DWG. WITH SHEETS M-11 THRU M-17.
- CONTRACTOR SHALL VERIFY ALL DIMENSIONS.
- WELDING SHALL CONFORM TO THE AMERICAN WELDING SOCIETY CODE AWS-D1.5M/D1.5: 2008. PERMISSIBLE ELECTRODES ARE: AWS ER70S-6 WITH CO₂ OR 75% ARGON-25% CO₂ COVER GAS; OR AWS E7018; OR AWS E71T-1 WITH 75% ARGON-25% CO₂ COVER GAS.

PB Americas, Inc. 230 WEST MONROE STREET, SUITE 900 CHICAGO, IL. 60606	USER NAME = oherma	DESIGNED - V. LEVIT	REVISED -	STATE OF ILLINOIS DEPARTMENT OF TRANSPORTATION	CENTER LOCK MACHINERY MISCELLANEOUS SUPPORT DETAILS	F.A.P. RTE.	SECTION	COUNTY	TOTAL SHEETS	SHEET NO.
	FILE NAME = D:\06061-shr-mec-15.dgn	DRAWN - V. LEVIT	REVISED -			389	2424-2B-R	COOK	398	259
	PLOT SCALE = NONE	CHECKED - D. NYARKO	REVISED -			CONTRACT NO. 60D61				
	PLOT DATE = 5/7/2009	DATE - MAY 8, 2009	REVISED -			FED. ROAD DIST. NO. 1 ILLINOIS FED. AID PROJECT				
SCALE: AS SHOWN		SHEET NO. M-15 OF M-27 SHEETS		STA. 379+06.09 TO STA. 382+45.28						