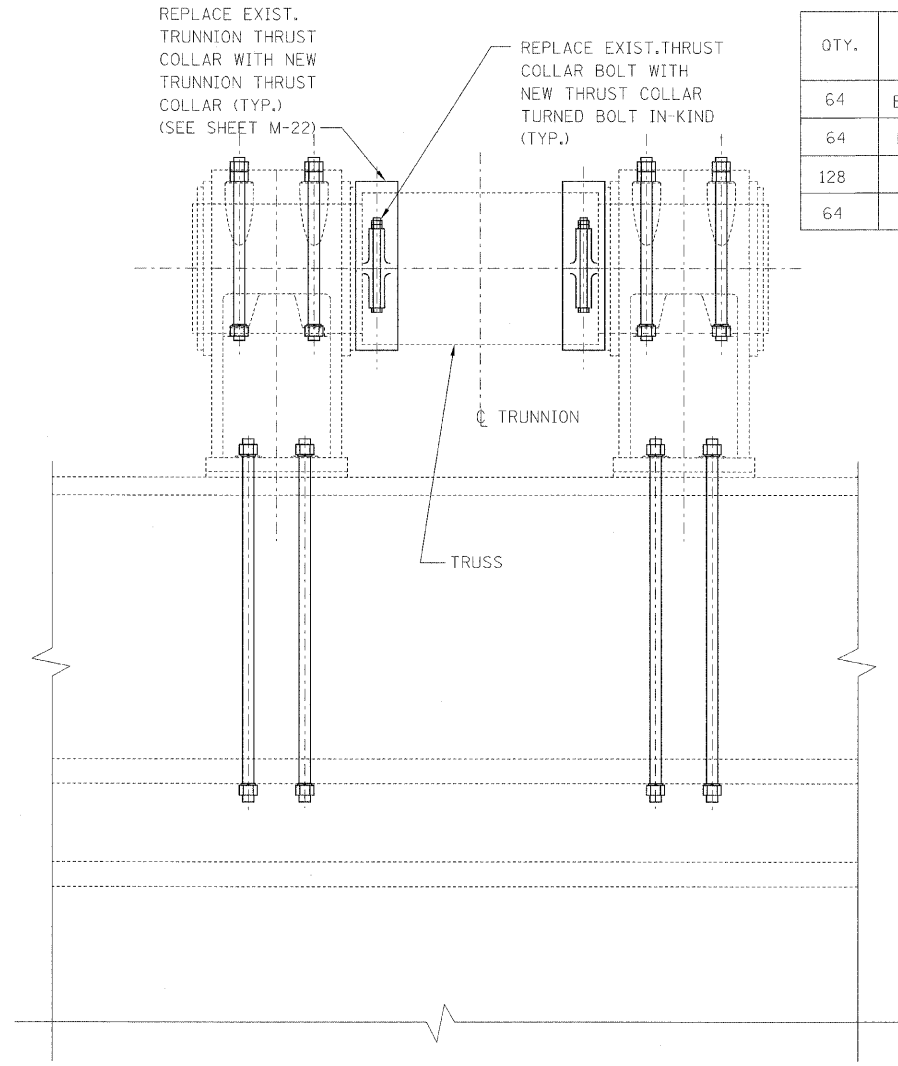
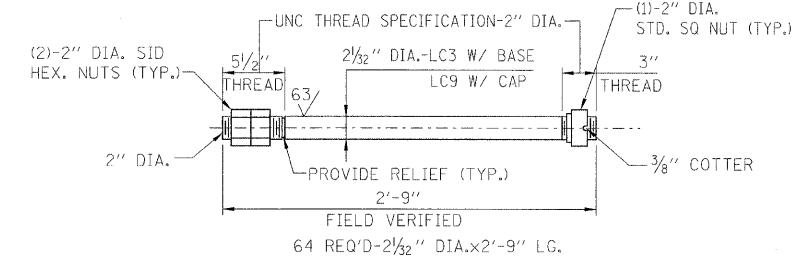


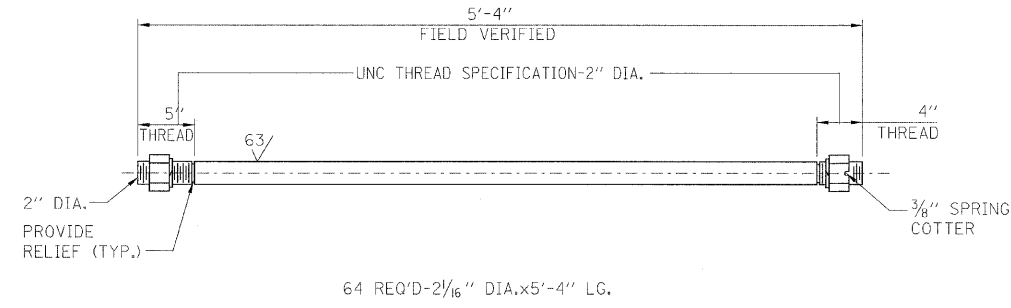
TRUNNION ASSEMBLY
SCALE: 3/4"=1'-0"
EIGHT LOCATIONS REQUIRED



QTY.	ITEM	DESCRIPTION
64	BEARING CAP TURNED THREADED ROD, 2 1/2" DIA. x 2'-9" LG	HIGH STRENGTH TURNED THREADED ROD, ASTM A490
64	BEARING TURNED THREADED ROD, 2 1/16" DIA. x 5'-4" LG.	HIGH STRENGTH TURNED THREADED ROD, ASTM A490
128	2" DIA. STD. HEAVY HEX. NUT FOR BEARING CAP BOLT	ASTM A563
64	2" DIA. STD. SQ. NUT FOR BEARING CAP BOLT	ASTM A563



BEARING CAP TURNED THREADED ROD DETAIL
SCALE: 1 1/2"=1'-0"



BEARING TURNED THREADED ROD
SCALE: 1 1/2"=1'-0"

- NOTES:**
- FOR GENERAL NOTES, SEE SHEET M-01.
 - DIMENSIONS AND TOLERANCES ARE FROM AS-BUILT DRAWINGS. CONTRACTOR SHALL VERIFY DIMENSIONS AND TOLERANCES AT EACH LOCATION.

PB Americas, Inc.
230 WEST MONROE STREET,
SUITE 900
CHICAGO, IL. 60606

USER NAME = sharma	DESIGNED - V. LEVIT	REVISED -
FILE NAME = D160d61-ahs-mec-21.dgn	DRAWN - V. LEVIT	REVISED -
PLOT SCALE = NONE	CHECKED - D. NYARKO	REVISED -
PLOT DATE = 5/7/2009	DATE - MAY 8, 2009	REVISED -

STATE OF ILLINOIS
DEPARTMENT OF TRANSPORTATION

TRUNNION BEARING BOLTS AND THRUST COLLARS
SCALE: AS SHOWN SHEET NO. M-21 OF M-27 SHEETS STA. 379+06.09 TO STA. 382+45.28

F.A.P. RTE.	SECTION	COUNTY	TOTAL SHEETS	SHEET NO.
389	2424-2B-R	COOK	398	265
CONTRACT NO. 60D61				
FED. ROAD DIST. NO. 1 [ILLINOIS] FED. AID PROJECT				