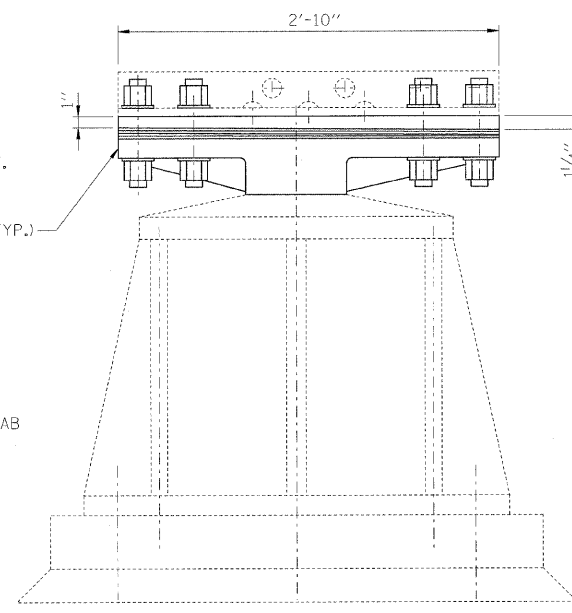
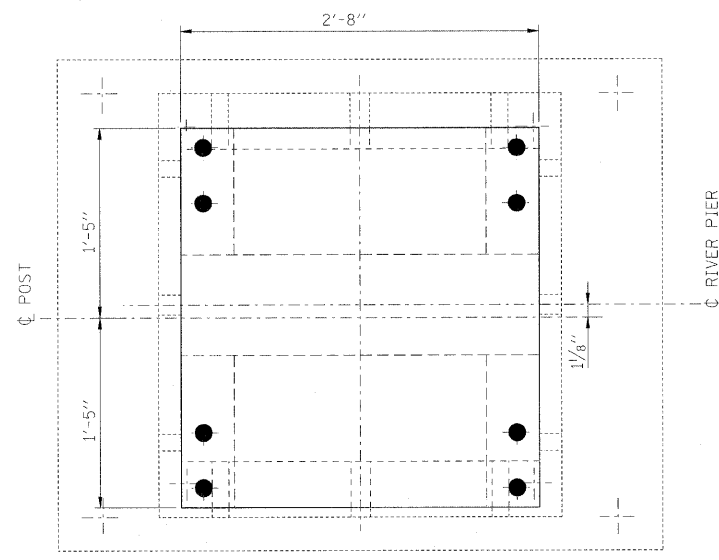


LIVE LOAD BEARING ASSEMBLY ELEVATION

SCALE: 1/2"=1'-0"
 MATERIAL: ASTM A27 GRADE 70-40 CAST STEEL
 STRESS RELIEVED AT 1050°F FOR 1HR PER EACH INCH OF SECTION.

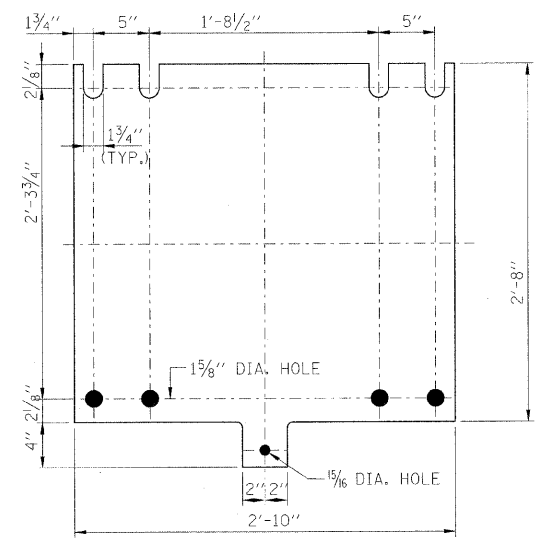


SECTION A-A
 SCALE: 1/2"=1'-0"



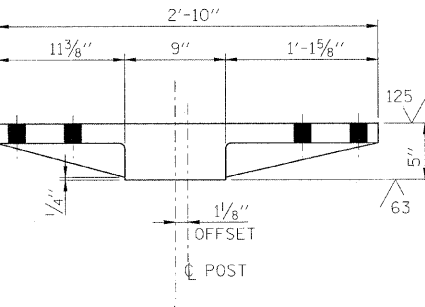
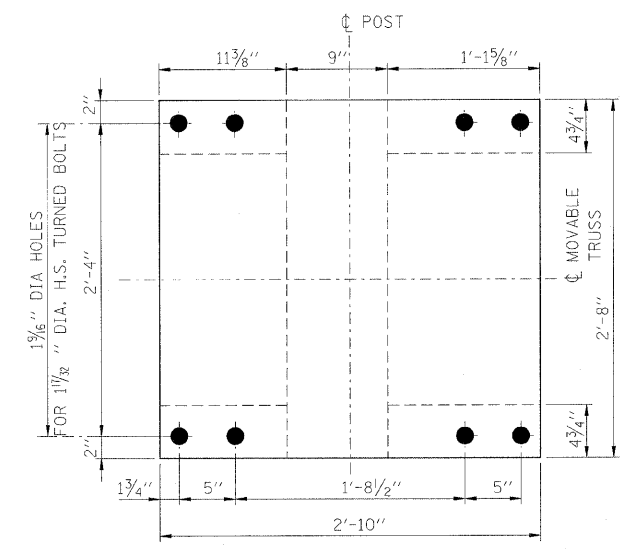
LIVE LOAD BEARING ASSEMBLY PLAN

SCALE: 1/2"=1'-0"



SHIM PACK:
 2P - 34" x 1/2" x 3'-0"
 1P - 34" x 1/4" x 3'-0"
 1P - 34" x 3/16" x 3'-0" (CARBON STEEL)
 2P - 34" x 1/8" x 3'-0"

NEW SHIM PLATES
 PROVIDE QUANTITY AS REQUIRED



NEW TRUSS SHOE CASTING
 CAST STEEL ASTM A27
 SCALE: 1/2"=1'-0"

SCOPE OF WORK:

1. REMOVE EXISTING LIVE LOAD CASTING AND ALL ASSOCIATED SHIMS AND FASTENERS.
2. FURNISH AND INSTALL NEW SHOE CASTING WITH ASSOCIATED SHIMS.
3. REPAIR DAMAGED GROUT PADS.
4. CLEAN AND PAINT ALL PEDESTALS AND PEDESTAL SLABS.

NOTES:

1. FOR GENERAL NOTES, SEE SHEET M-01.
2. CONTRACTOR SHALL VERIFY ALL DIMENSIONS.
3. CONTRACTOR SHALL PROVIDE NEW SHIM PLATE TO BE MOUNTED BETWEEN NEW TRUSS SHOE CASTING AND NEW BEVEL PLATE.
4. CONTRACTOR TO DETERMINE SHIM QUANTITY REQUIRED IN ORDER TO REMOVE ALL PLAY IN THE LIVE LOAD BEARING WHEN THE SPAN IS IN THE FULLY CLOSED POSITION.
5. PAINTING ON EXISTING COMPONENTS MAY BE LEAD BASED CONTRACTOR SHALL REMOVE EXISTING LEAD PAINT PER LOCAL AND FEDERAL REGULATIONS.

PB Americas, Inc. 230 WEST MONROE STREET, SUITE 900 CHICAGO, IL. 60606	USER NAME = shormn FILE NAME = 0160d61-shl-meo-23.dgn PLOT SCALE = NONE PLOT DATE = 5/7/2009	DESIGNED - V. LEVIT DRAWN - V. LEVIT CHECKED - D. NYARKO DATE - MAY 8, 2009	REVISED - REVISED - REVISED - REVISED -	STATE OF ILLINOIS DEPARTMENT OF TRANSPORTATION	LIVE LOAD BEARING	F.A.P. RTE. 389 SECTION 2424-28-R COUNTY COOK TOTAL SHEETS 398 SHEET NO. 267 CONTRACT NO. 60D61	SCALE: AS SHOWN SHEET NO. M-23 OF M-27 SHEETS STA. 379+06.09 TO STA. 382+45.28 FED. ROAD DIST. NO. 1 ILLINOIS FED. AID PROJECT
--	---	--	--	---	--------------------------	--	---