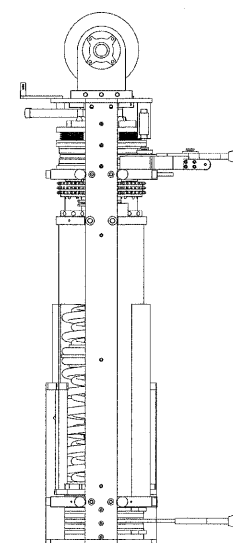
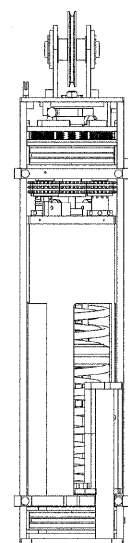
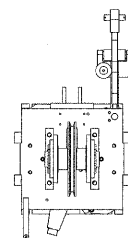
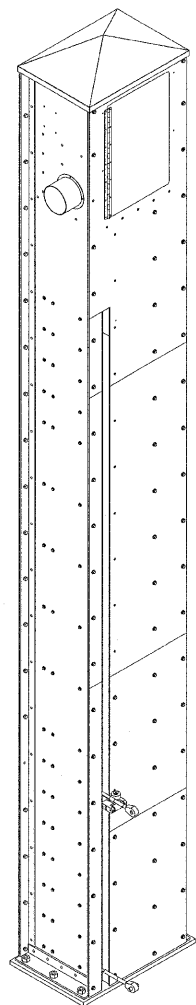
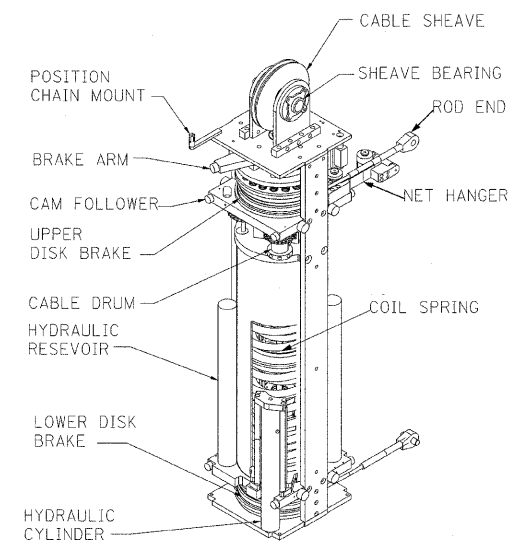


LOOKING FROM REAR OF COLUMN

COLUMN ASSEMBLY
MISSING DETAILS FOR CLARITY
NOT TO SCALE



REELBOX ASSEMBLY
NOT TO SCALE



PROPRIETARY REELBOX

HYDRAULIC DAMPERS TO CONTROL SPEED OF CABLE RETRACTION DURING RESET
MINIMUM SAFETY FACTOR OF 2 THROUGHOUT DESIGN
CORROSION RESISTANT COATINGS AND MATERIALS
PERMANENTLY LUBRICATED CAMFOLLOWERS
PRELOADED HELICAL COIL NET TENSIONING SPRINGS
NON ASBESTOS BONDED DISK BRAKES

NOTES:

1. FOR GENERAL NOTES, SEE SHEET M-01.
2. CONTRACTOR SHALL VERIFY ALL DIMENSIONS.
3. WORK THIS DRAWING WITH SHEET M-27.

PB Americas, Inc.
230 WEST MONROE STREET,
SUITE 900
CHICAGO, IL. 60606

USER NAME = sharma
FILE NAME = D162d61-shl-mec-26.dgn
PLOT SCALE = NONE
PLOT DATE = 5/7/2009

DESIGNED - E. BASU
DRAWN - V. LEVIT
CHECKED - D. NYARKO
DATE - MAY 8, 2009

REVISED -
REVISED -
REVISED -
REVISED -

**STATE OF ILLINOIS
DEPARTMENT OF TRANSPORTATION**

BARRIER GATE REPLACEMENT DETAILS

SCALE: AS SHOWN SHEET NO. M-26 OF M-27 SHEETS STA. 379+06.09 TO STA. 382+45.28

F.A.P. RTE.	SECTION	COUNTY	TOTAL SHEETS	SHEET NO.
389	2424-2B-R	COOK	398	270
CONTRACT NO. 60D61			ILLINOIS FED. AID PROJECT	