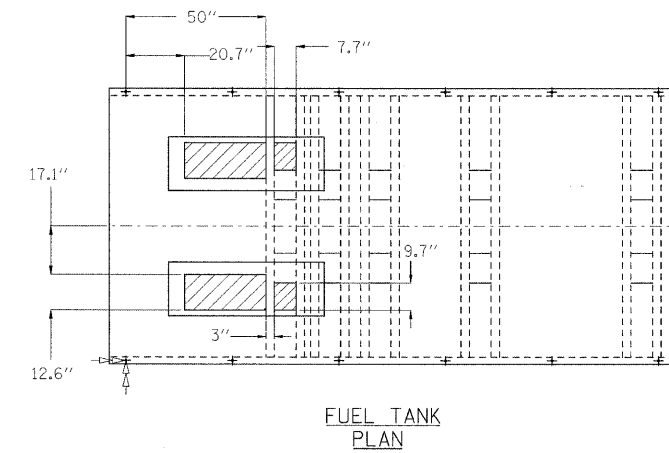
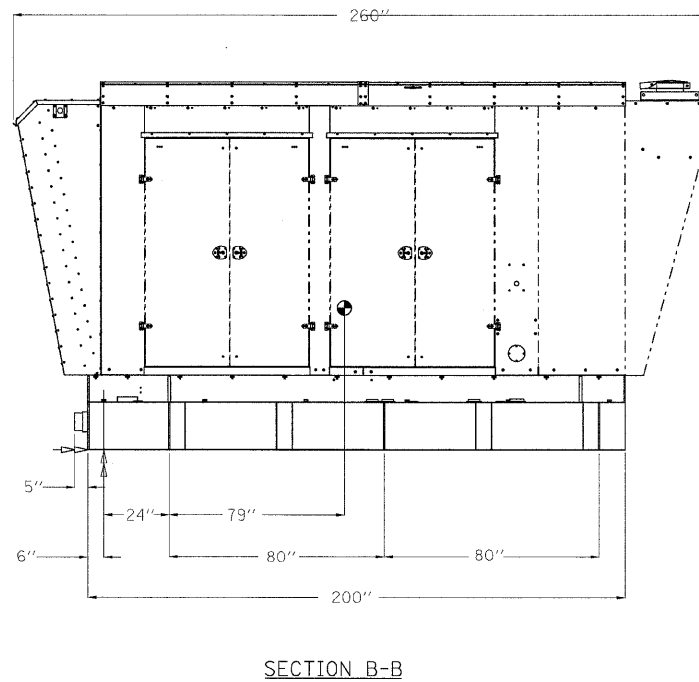
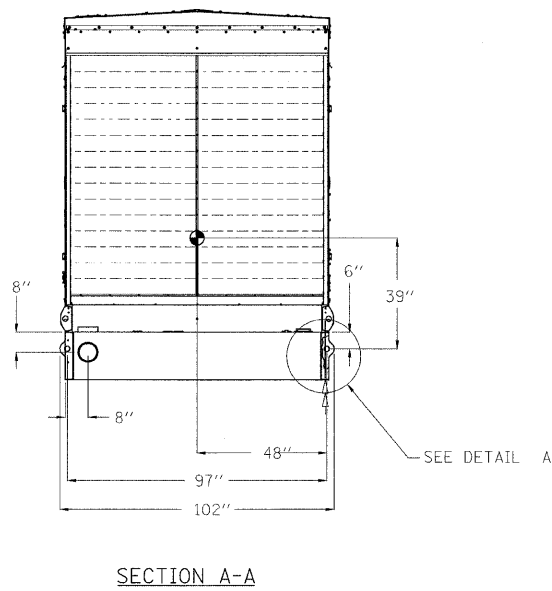
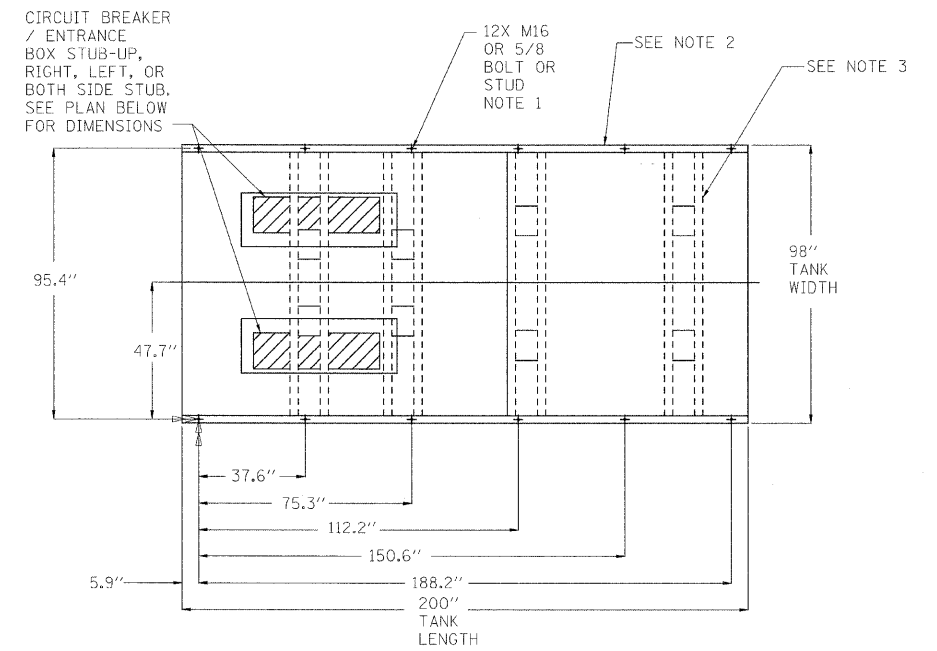
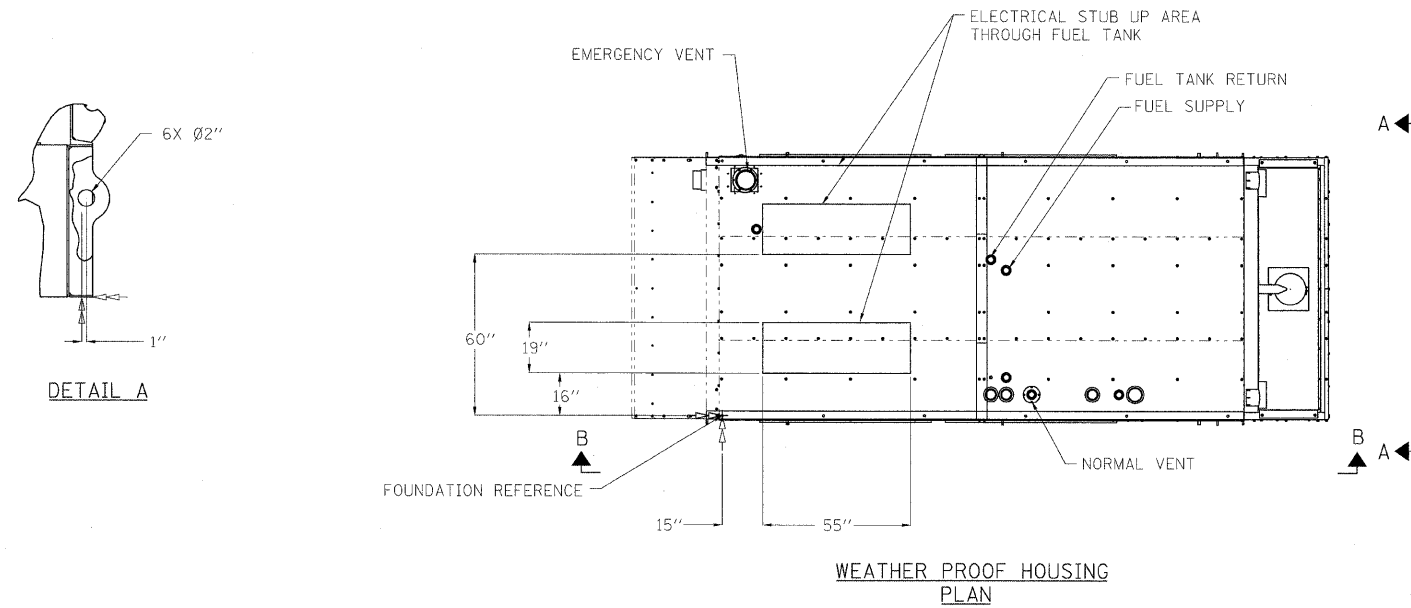


NOTES:

1. FUEL TANK HAS FLANGE THICKNESS OF 0.25", ALLOW EXTRA LENGTH ON HARDWARE FOR UNEVENNESS OF MOUNTING SURFACE.
2. LIFTING BASE OR FUEL TANK PERIMETER IS SHOWN. FOUNDATION SHOULD BE EXTENDED BEYOND THIS PERIMETER.
3. HIDDEN LINES REPRESENT LIFT BASE CROSS-MEMBER.



TYPICAL DIMENSIONS 800 KW GENERATOR

PB Americas, Inc.
230 WEST MONROE STREET,
SUITE 900
CHICAGO, IL. 60606

USER NAME = sharma
FILE NAME = D16@d61-ahf-elo-19.dgn
PLOT SCALE = NONE
PLOT DATE = 5/7/2009

DESIGNED - A. CENTENO
DRAWN - S. SHARMA
CHECKED - M. INTATANO
DATE - MAY 8, 2009

REVISED -
REVISED -
REVISED -
REVISED -

**STATE OF ILLINOIS
DEPARTMENT OF TRANSPORTATION**

**EMERGENCY GENERATOR
PLANS AND SECTIONS**

SCALE: AS SHOWN SHEET NO. E-19 OF E-125 SHEETS STA. 379+06.09 TO STA. 382+45.28

F.A.P. RTE.	SECTION	COUNTY	TOTAL SHEETS	SHEET NO.
389	2424-2B-R	COOK	398	290
CONTRACT NO. 60D61				
FED. ROAD DIST. NO. 1 ILLINOIS FED. AID PROJECT				