

CONTINUED FROM SHEET E-83

501 CB435 5A

501 ZS-SEFS 1533 DROP 5 SLOT 3 120VAC INPUT

501 ZS-SEFC 1534 FULLY SEATED LIMIT SWITCH

502 ZS-SENC 1535 NEAR CLOSED ROTARY LIMIT SWITCH

503 ZS-SENO 1536 NEAR OPEN ROTARY LIMIT SWITCH

504 ZS-SEFO 1537 FULL OPEN ROTARY LIMIT SWITCH

505 MB-SE-N 1538 MB-SEN-N MCP

506 MB-SE-S 1539 MB-SE-S MCP

507 SEE SHEET E-94 MOB-SE-N 1540 MOB-SE-N MCP

508 AC COM

509 MB-SE-S 1541 MB-SE-S MCP

510 CB510 5A SEN DRIVE RUNNING SENDVR 1542

510 SEN DRIVE TROUBLE SENDVDT 1543

511 CB512 5A SES DRIVE RUNNING SESDVR 1544

511 SES DRIVE TROUBLE SESDVDT 1545

513 ZS-SENOVSP 1546 SEN OVER SPEED

513 ZS-SESOVSP 1547 SES OVER SPEED

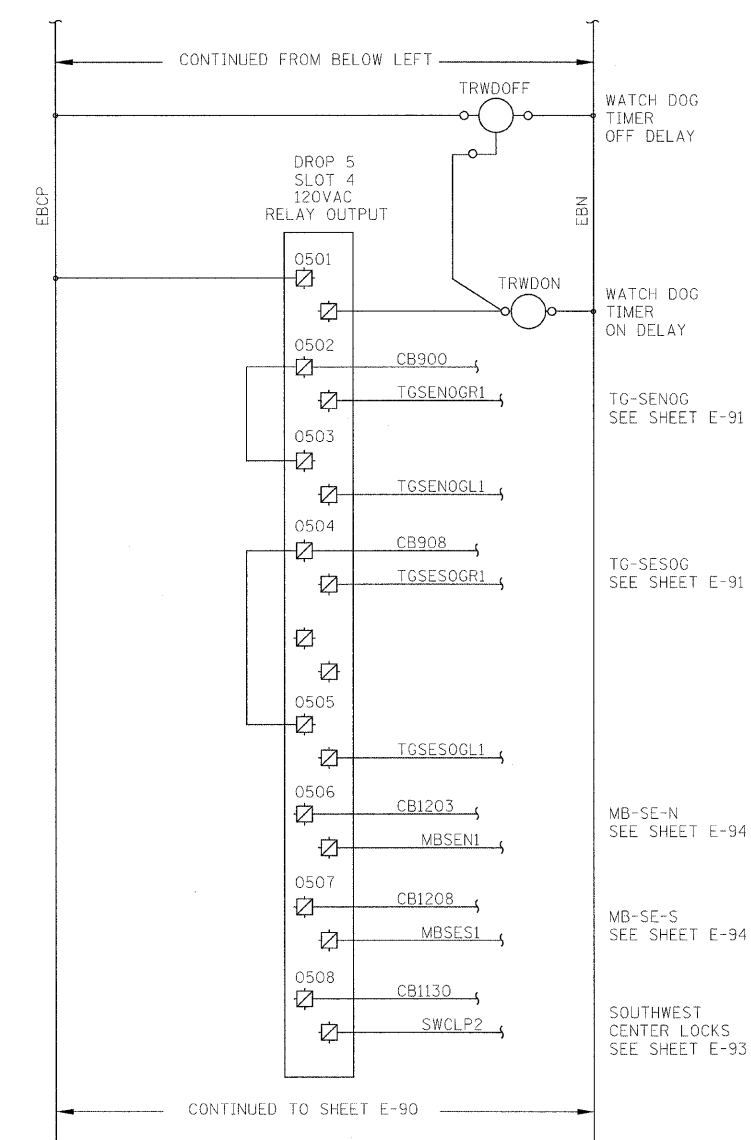
514 LOS CRSENOVSP

514 LOS CRSESOVSP

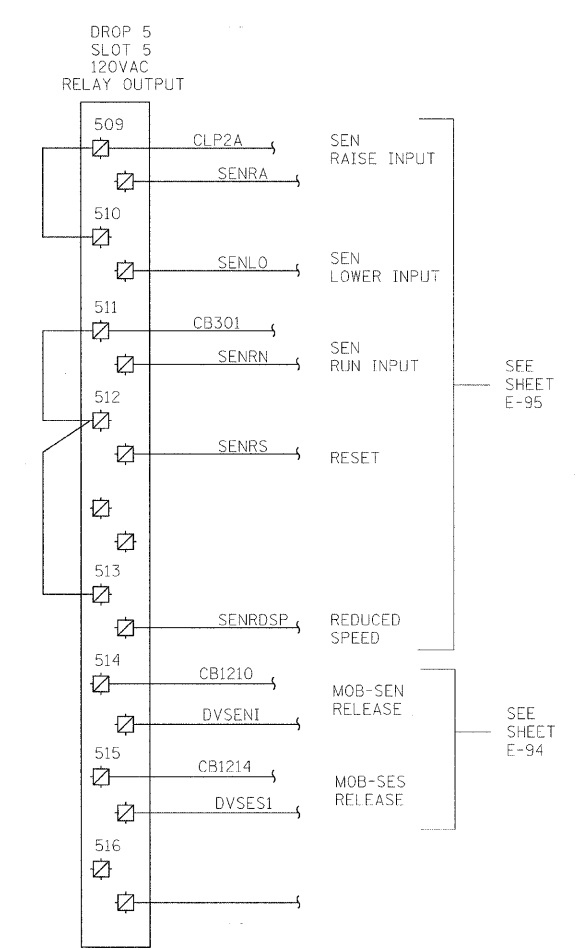
515 SPARE

516 AC COM

CONTINUED ABOVE RIGHT



NOTES:
 1. FOR DRAWING SYMBOLS, LEGEND AND ABBREVIATIONS SEE DRAWINGS E-04, E-05 AND E-06



DROP 5 SOUTHEAST PLC I/O CABINET