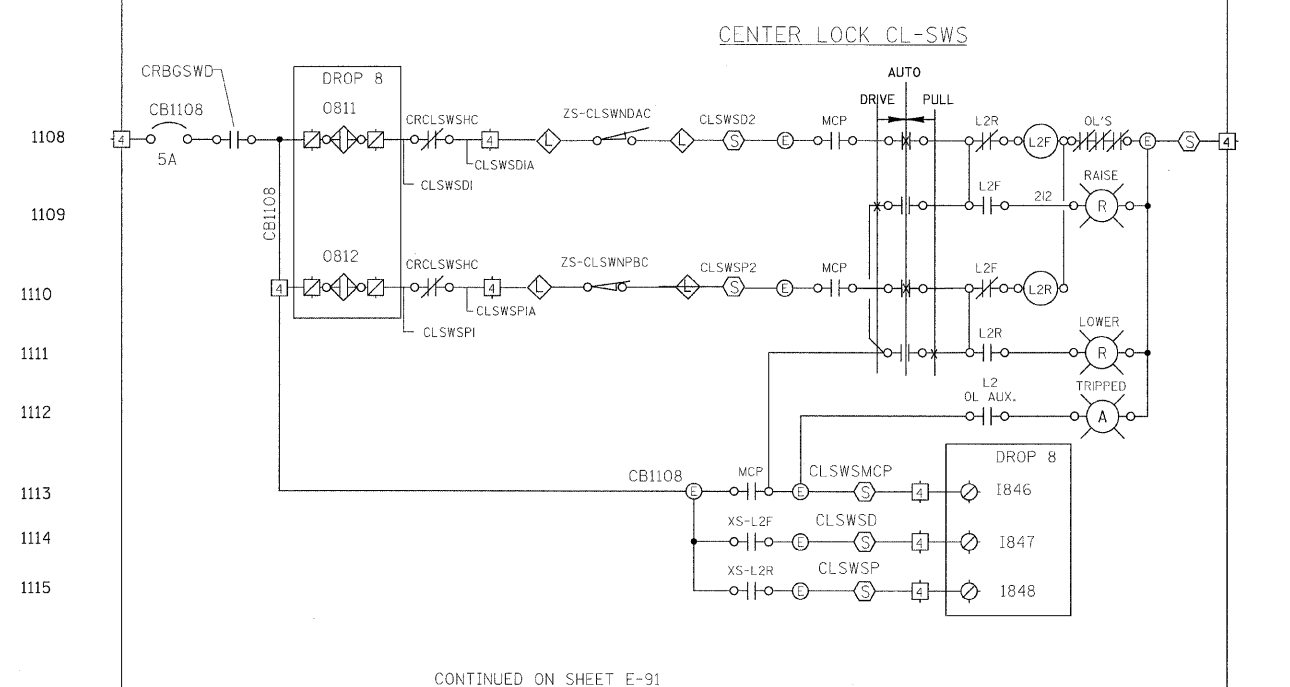
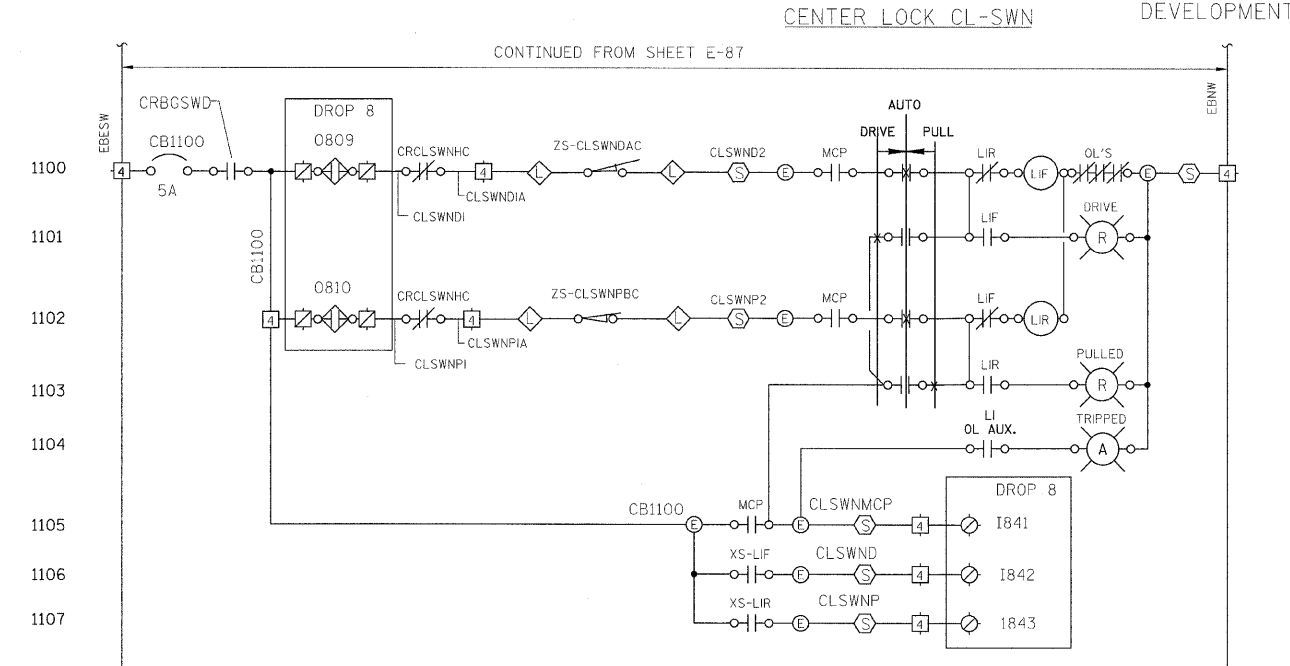


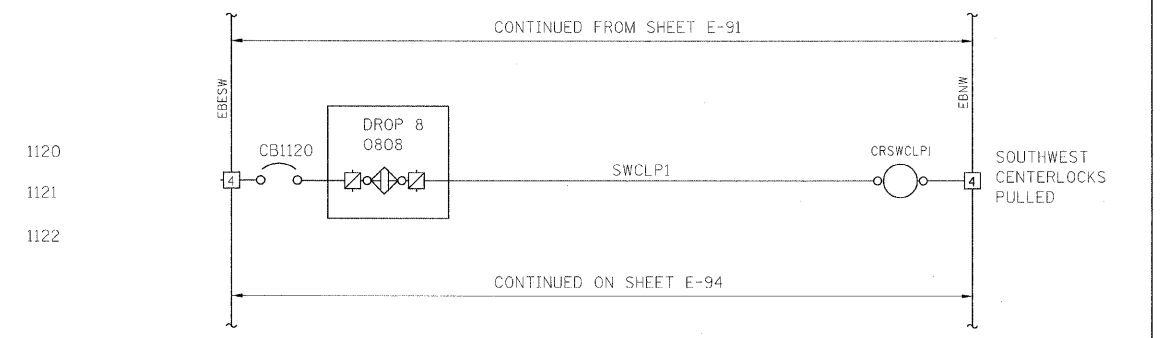
SWITCHES SHOWN WITH LOCK BAR DRIVEN.

* ZS TAG NAME
 CLSWNP = CENTER LOCK SOUTHWEST NORTH PULLED
 CLSWND = CENTER LOCK SOUTHWEST NORTH DRIVEN
 CLSWSP = CENTER LOCK SOUTHWEST SOUTH PULLED
 CLSWSD = CENTER LOCK SOUTHWEST SOUTH DRIVEN

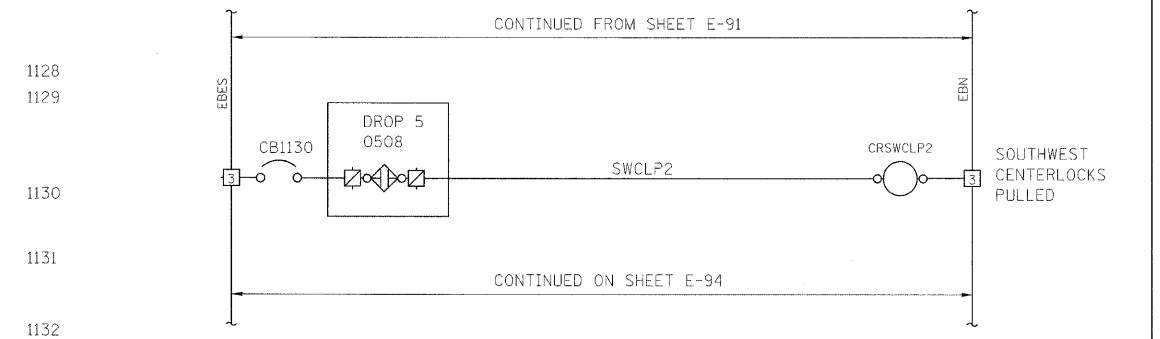
NOTES:
 1. FOR DRAWING SYMBOLS, LEGEND AND ABBREVIATIONS SEE DRAWINGS E-04, E-05 AND E-06.



EASTBOUND SOUTHWEST LEAF CENTER LOCKS



1120
1121
1122
1123
1124
1125
1126
1127



1128
1129
1130
1131
1132
1133
1134
1135
1136
1137
1138

PB Americas, Inc. 230 WEST MONROE STREET, SUITE 900 CHICAGO, IL. 60606	USER NAME = sharma	DESIGNED - B. CROTHAMEL	REVISED -
	FILE NAME = D:\E2d61-shr-e1c-93.dgn	DRAWN - S. SHARMA	REVISED -
	PLOT SCALE = NONE	CHECKED - S. STERN	REVISED -
	PLOT DATE = 5/7/2009	DATE - MAY 8, 2009	REVISED -

**STATE OF ILLINOIS
DEPARTMENT OF TRANSPORTATION**

**BRIDGE CONTROL SCHEMATIC DIAGRAM
EASTBOUND - SHEET 14**

SCALE: AS SHOWN | SHEET NO. E-93 OF E-125 SHEETS | STA. 379+06.09 TO STA. 382+45.28

F.A.P. RTE.	SECTION	COUNTY	TOTAL SHEETS	SHEET NO.
389	2424-2B-R	COOK	398	364
CONTRACT NO. 60D61				
FED. ROAD DIST. NO. 1 ILLINOIS FED. AID PROJECT				