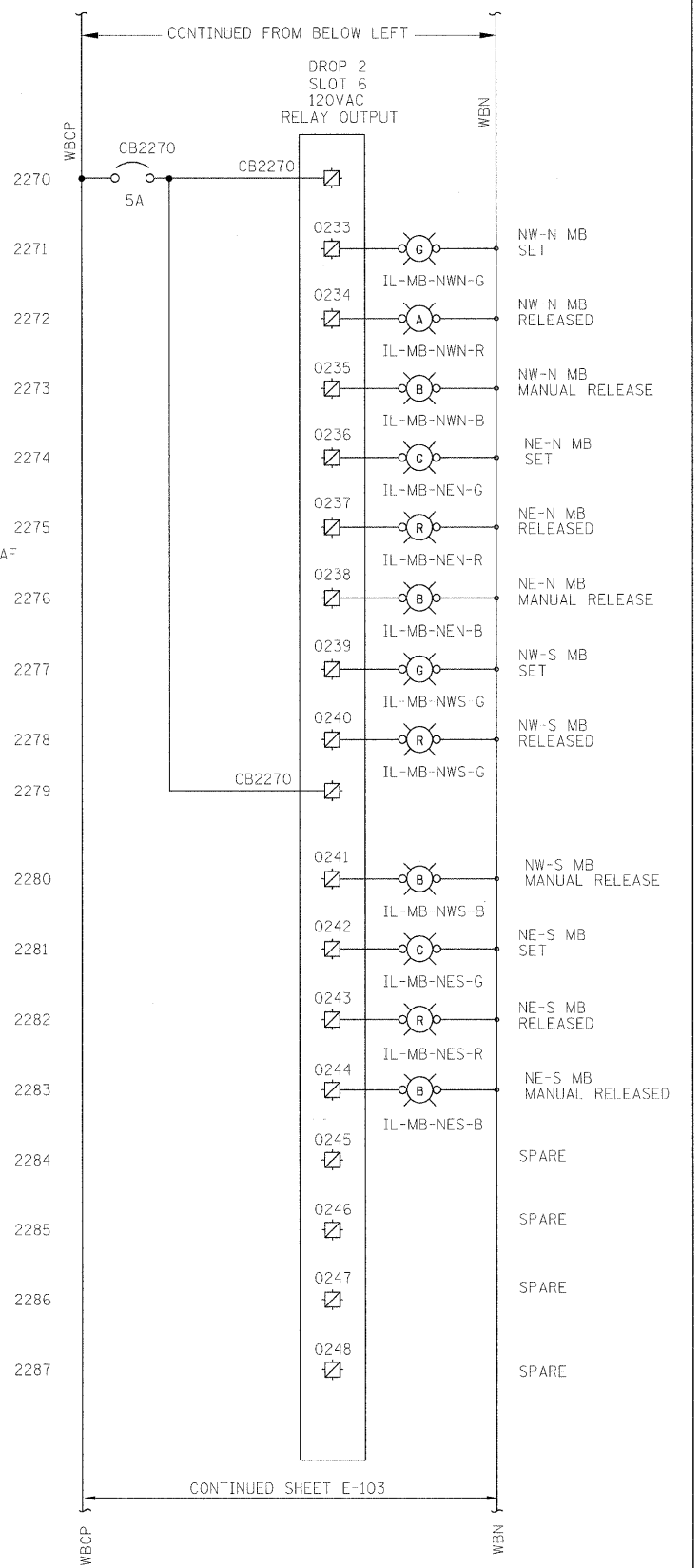


NOTES:

1. FOR DRAWING SYMBOLS, LEGEND AND ABBREVIATIONS SEE DRAWINGS E-04, E-05 AND E-06



WESTBOUND CONTROL DESK

PB Americas, Inc. 230 WEST MONROE STREET, SUITE 900 CHICAGO, IL. 60606	USER NAME = s Sharma FILE NAME = D160d61-sht-a1o-102.dgn PLOT SCALE = NONE PLOT DATE = 5/7/2009	DESIGNED - B. CROUTHAMEL DRAWN - S. SHARMA CHECKED - S. STERN DATE - MAY 8, 2009	REVISED - REVISED - REVISED - REVISED -	STATE OF ILLINOIS DEPARTMENT OF TRANSPORTATION	BRIDGE CONTROL SCHEMATIC DIAGRAM WESTBOUND - SHEET 2		F.A.P. RTE. 389 SECTION 2424-2B-R COUNTY COOK TOTAL SHEETS 398 SHEET NO. 373 CONTRACT NO. 60D61	
					SCALE: AS SHOWN SHEET NO. E-102 OF E-125 SHEETS STA. 379+06.09 TO STA. 382+45.28	FED. ROAD DIST. NO. 1 ILLINOIS FED. AID PROJECT		