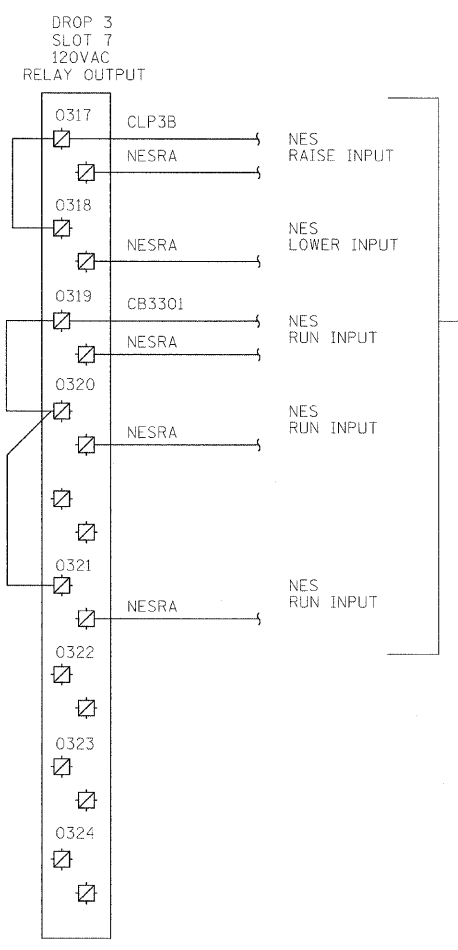
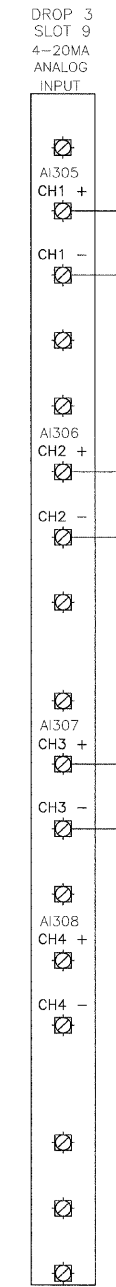
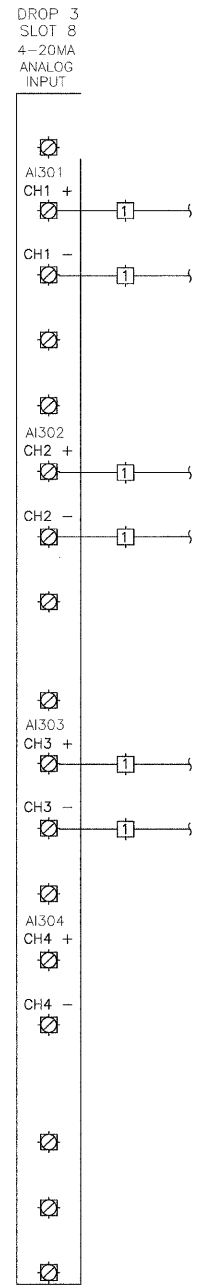


SEE SHEET E-112

SEE SHEET E-111

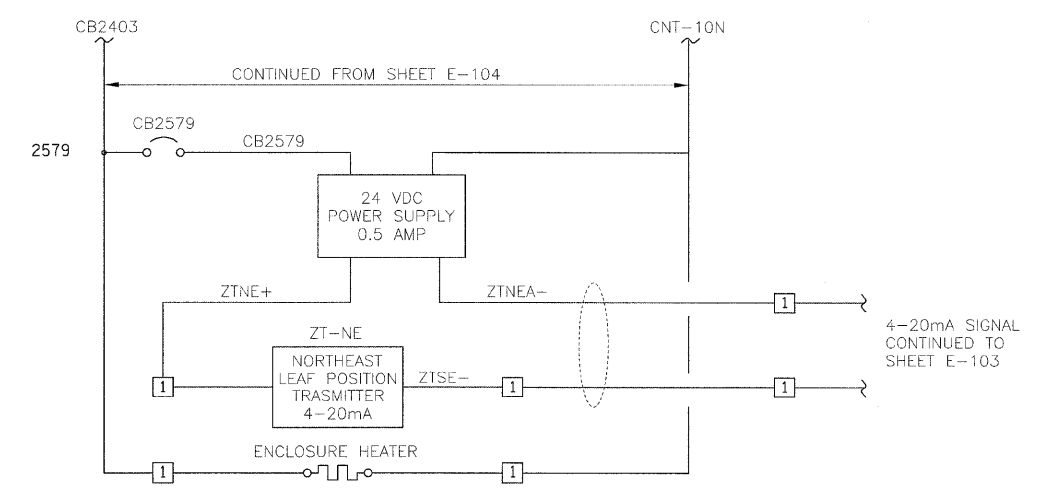


SEE SHEET E-113



**NOTES:**

- FOR DRAWING SYMBOLS, LEGEND AND ABBREVIATIONS SEE DRAWINGS E-04, E-05 AND E-06.



NORTHEAST LEAF POSITION TRANSMITTER

DROP 3 NORTHEAST PLC I/O CABINET

<b>PB Americas, Inc.</b> 230 WEST MONROE STREET, SUITE 900 CHICAGO, IL. 60606	USER NAME = sharma	DESIGNED - B. CROUTHAMEL	REVISED -	<b>STATE OF ILLINOIS</b> <b>DEPARTMENT OF TRANSPORTATION</b>	<b>BRIDGE CONTROL SCHEMATIC DIAGRAM</b> <b>WESTBOUND - SHEET 6</b>		F.A.P. RTE. = 389	SECTION = 2424-2B-R	COUNTY = COOK	TOTAL SHEET NO. = 377
	FILE NAME = D160d61-shr-elo-106.dgn	DRAWN - S. SHARMA	REVISED -				CONTRACT NO. 60D61			
	PLOT SCALE = NONE	CHECKED - S. STERN	REVISED -				FED. ROAD DIST. NO. 1 ILLINOIS FED. AID PROJECT			
	PLOT DATE = 5/7/2009	DATE - MAY 8, 2009	REVISED -				SCALE: AS SHOWN SHEET NO. E-106 OF E-125 SHEETS STA. 379+06.09 TO STA. 382+45.28			