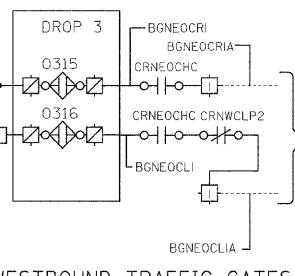
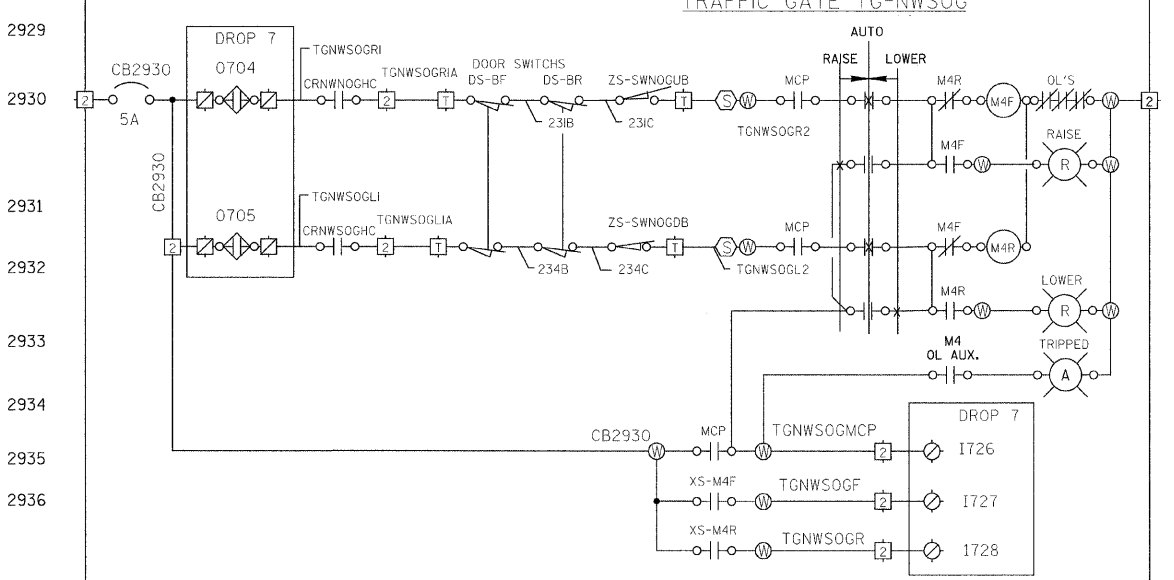
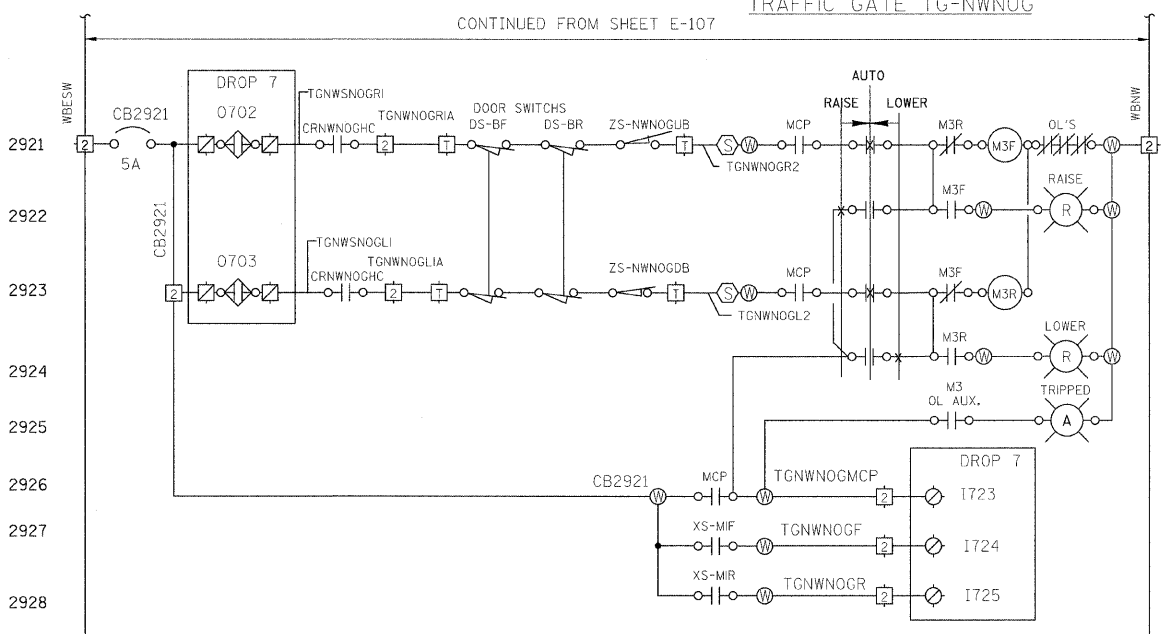


BARRIER GATE BG-NEOC



WESTBOUND TRAFFIC GATES



CONTINUED ON SHEET E-113

PB Americas, Inc.
230 WEST MONROE STREET,
SUITE 900
CHICAGO, IL. 60606

USER NAME = sherna	DESIGNED - B. CROUTHAMEL	REVISED -
FILE NAME = D160261-shr-alc-111.dgn	DRAWN - S. SHARMA	REVISED -
PLOT SCALE = NONE	CHECKED - S. STERN	REVISED -
PLOT DATE = 5/7/2009	DATE - MAY 8, 2009	REVISED -

STATE OF ILLINOIS
DEPARTMENT OF TRANSPORTATION

BRIDGE CONTROL SCHEMATIC DIAGRAM
WESTBOUND - SHEET 11

SCALE: AS SHOWN SHEET NO. E-111 OF E-125 SHEETS STA. 379+06.09 TO STA. 382+45.28

F.A.P. RTE.	SECTION	COUNTY	TOTAL SHEETS	SHEET NO.
399	2424-2B-R	COOK	398	382
CONTRACT NO. 60D61				
FED. ROAD DIST. NO. 1 ILLINOIS FED. AID PROJECT				