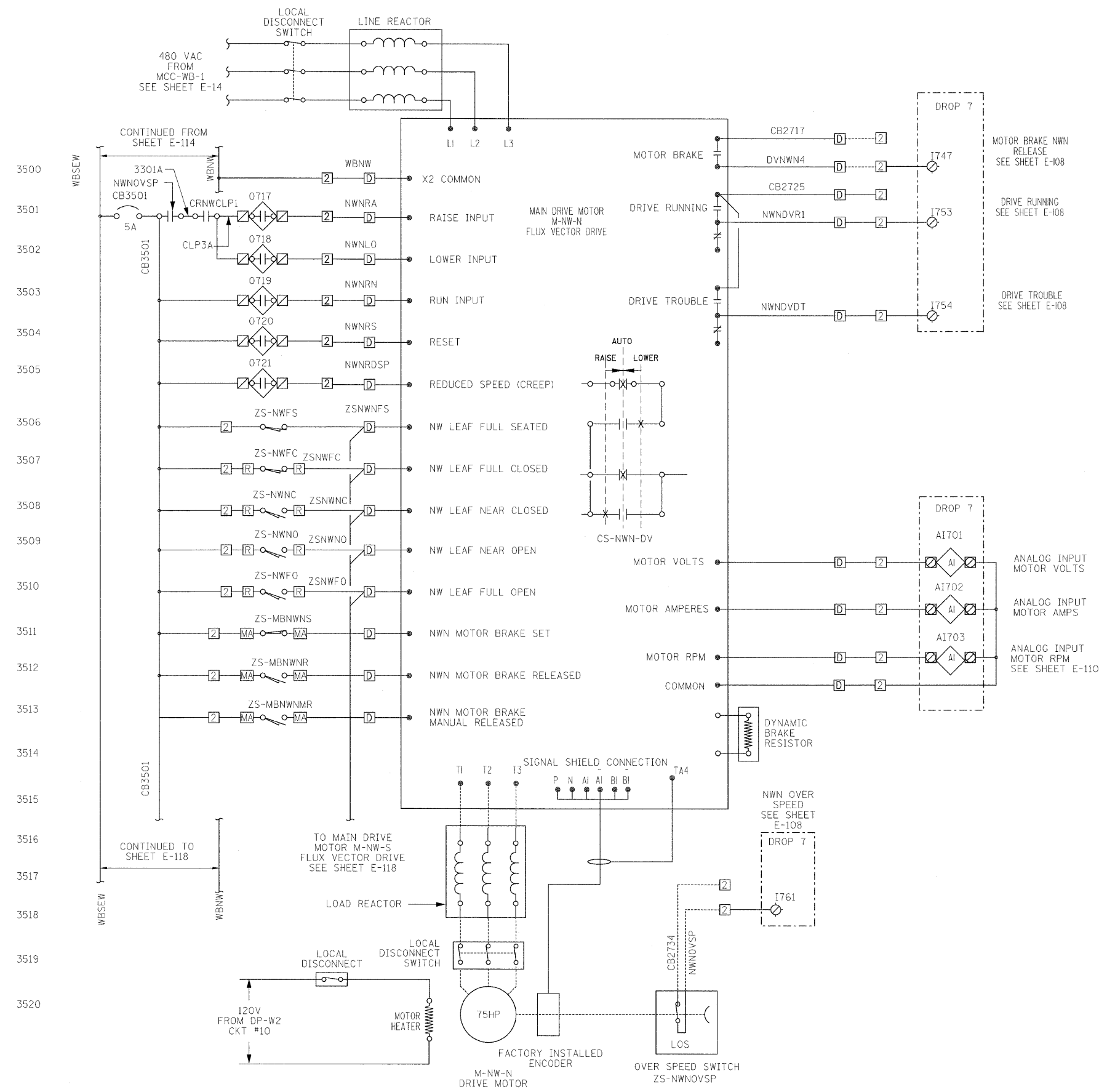


NOTES:

- FOR DRAWING SYMBOLS, LEGEND AND ABBREVIATIONS SEE DRAWINGS E-04, E-05 AND E-06.



WESTBOUND MAIN MOTOR NWN DRIVE

PB Americas, Inc.
 230 WEST MONROE STREET,
 SUITE 900
 CHICAGO, IL. 60606

USER NAME = sherna	DESIGNED - B. CROUTHAMEL	REVISED -
FILE NAME = D160361-shrna-e-117.dgn	DRAWN - S. SHARMA	REVISED -
PLOT SCALE = NONE	CHECKED - S. STERN	REVISED -
PLOT DATE = 5/7/2009	DATE - MAY 8, 2009	REVISED -

**STATE OF ILLINOIS
 DEPARTMENT OF TRANSPORTATION**

BRIDGE CONTROL SCHEMATIC DIAGRAM WESTBOUND - SHEET 17	
SCALE: AS SHOWN	SHEET NO. E-117 OF E-125 SHEETS
STA. 379+06.09 TO STA. 382+45.28	FED. ROAD DIST. NO. 1 ILLINOIS FED. AID PROJECT

F.A.P. RTE.	SECTION	COUNTY	TOTAL SHEETS	SHEET NO.
389	2424-2B-R	COOK	398	388
CONTRACT NO. 60D61				