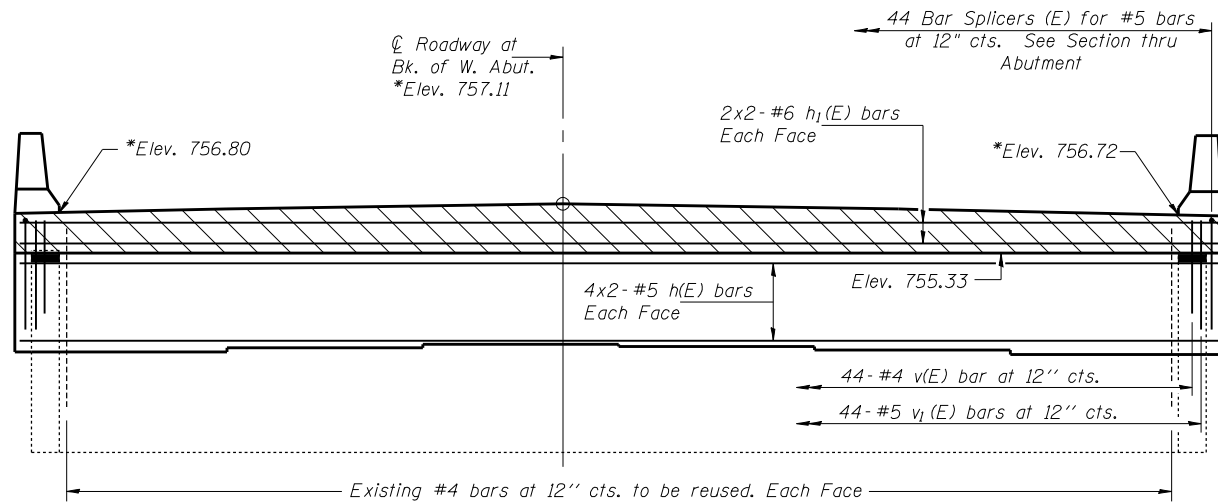


STATE OF ILLINOIS  
DEPARTMENT OF TRANSPORTATION

ROUTE NO.	SECTION	COUNTY	TOTAL SHEETS	SHEET NO.
FAI 74	(57-22) BR-2	McLEAN	42	31
FED. ROAD DIST. NO. 7		ILLINOIS	FED. AID PROJECT	

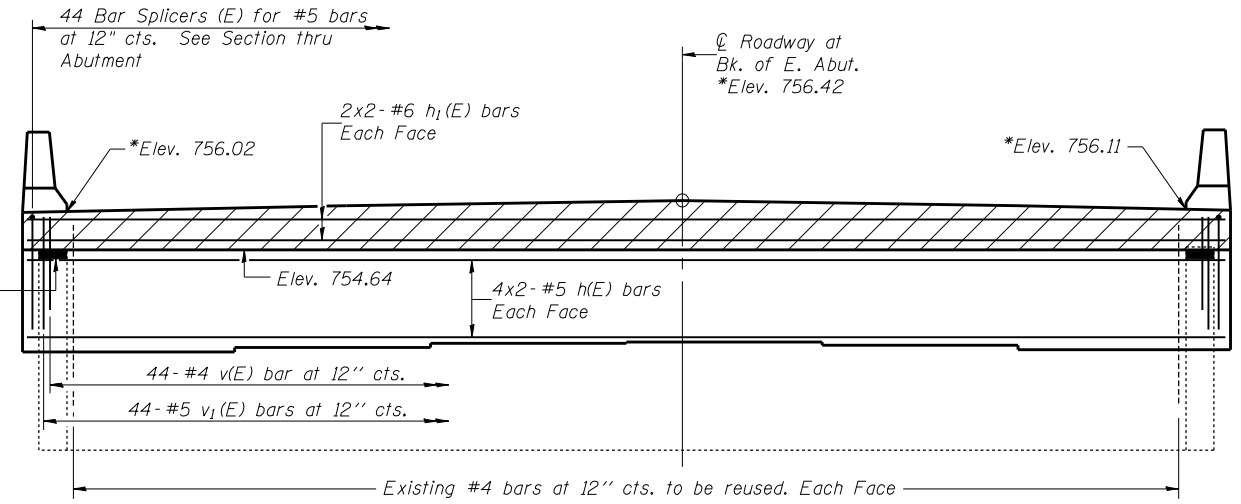
SHEET NO. 20  
23 SHEETS

Contract No. 70671



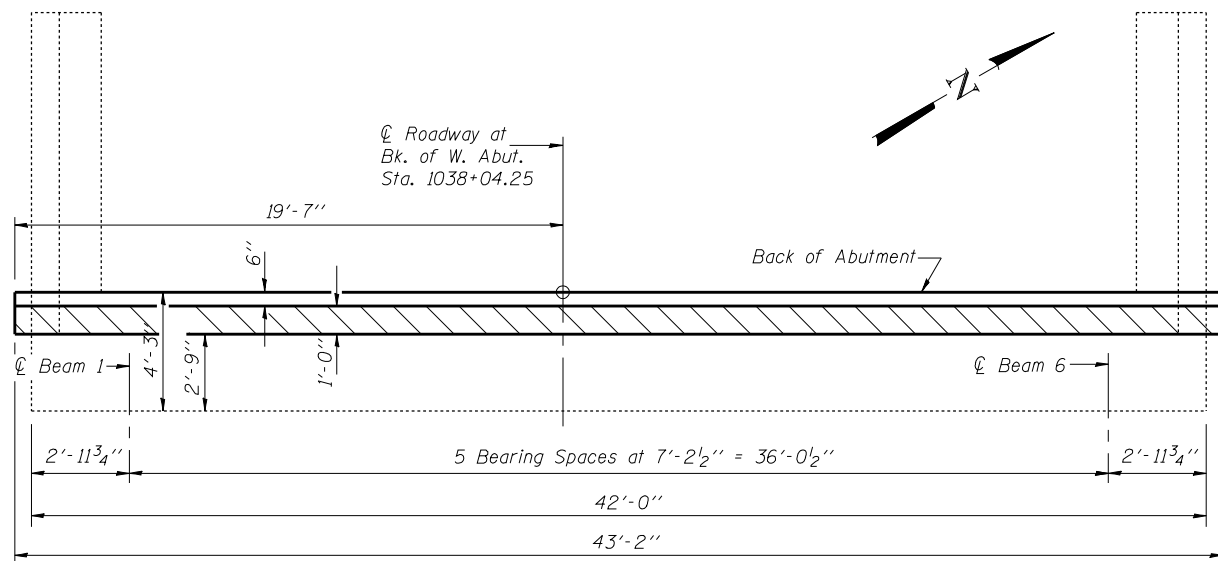
**ELEVATION WEST ABUTMENT**  
(Looking West)

1" PJF between remaining wingwall and approach pavement, typ.

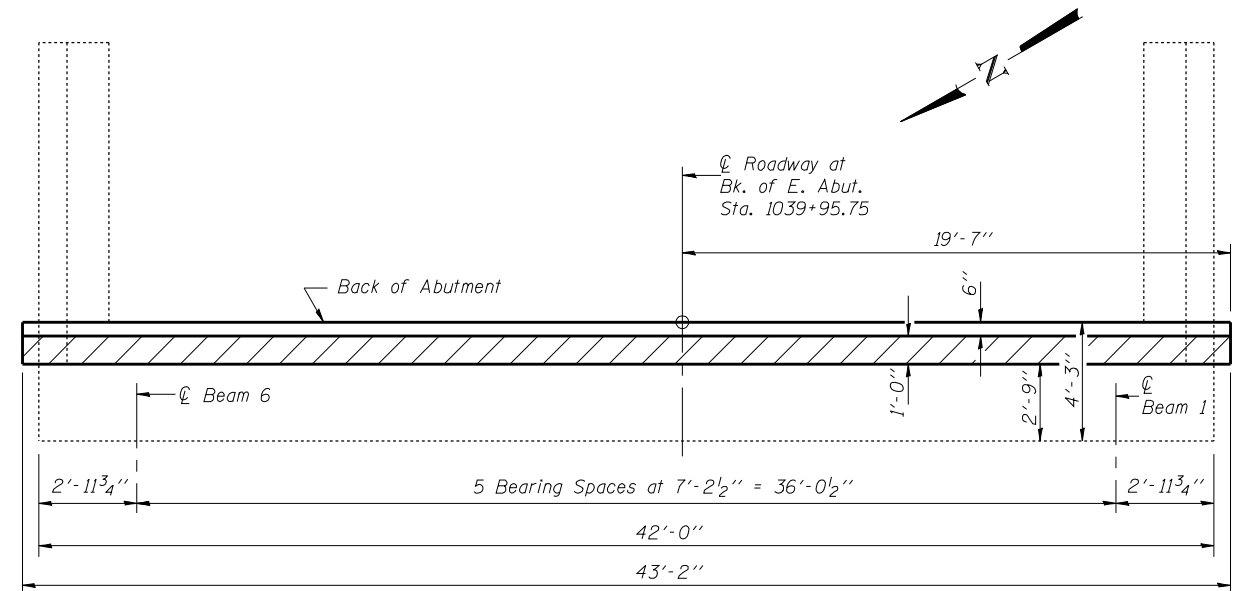


**ELEVATION EAST ABUTMENT**  
(Looking East)

\*Prior to Grinding



**TOP VIEW WEST ABUTMENT**



**TOP VIEW EAST ABUTMENT**

**MIN. BAR LAPS**

- #5 bars = 2'-2"
- #6 bars = 2'-7"

Note:  
Existing reinforcement bars extending into areas of new construction shall be cleaned, straightened, and incorporated into the new construction.

DESIGNED	Dewey H. Coultas
CHECKED	Chi-Cheung Chau
DRAWN	h.t. duong
CHECKED	DHC/CCC

JULY 31, 2007	
EXAMINED	Thomas J. Domagala
PASSED	Ralph E. Anderson

**ABUTMENTS**  
F.A.I. RT. 74 - SEC. (57-22)BR-2  
McLEAN COUNTY  
STATION 1039+00  
STRUCTURE NO. 057-0126 (W.B.)