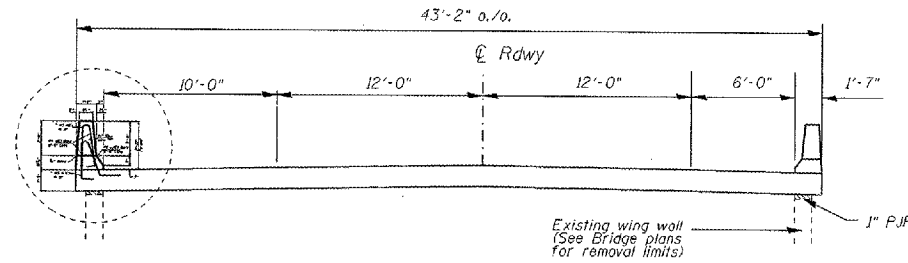
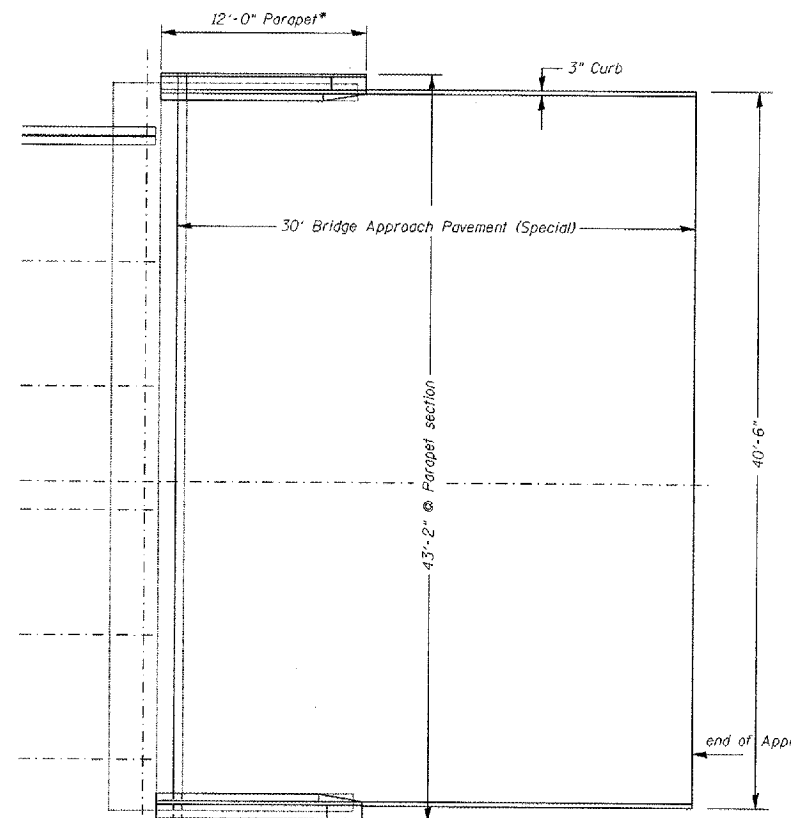


BRIDGE APPROACH PAVEMENT (SPECIAL)

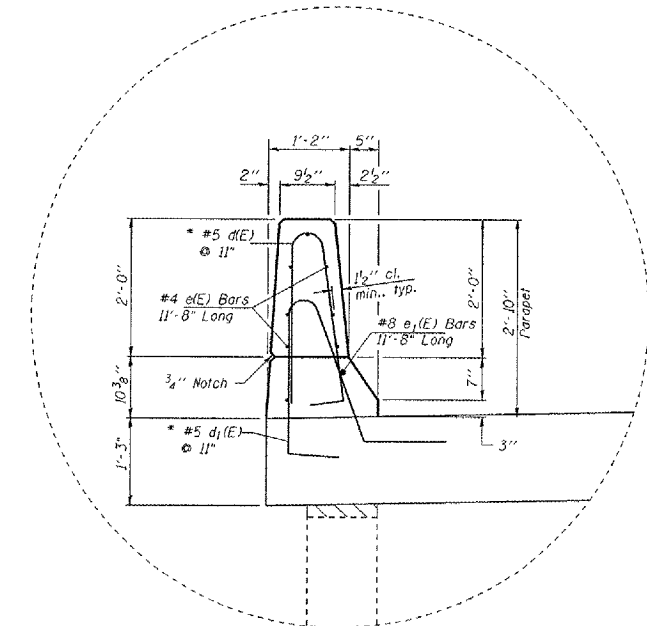
F.A.I. RTE.	SECTION	COUNTY	TOTAL SHEETS	SHEET NO.
74	(57-22)BR-2	MCLEAN	42	36
STA.	TO STA.			
FED. ROAD DIST. NO.	ILLINOIS	FED. AID PROJECT		
CONTRACT NO. 70671				



Bridge Approach Pavement near Abutment
Looking Upstation



Bridge Approach Pavement Plan



Parapet Detail
See Bridge Plans
for More Information

*Note: Cost of Constructing Parapet included in Bridge Approach Pavement (Special) Pay Item
*Note: Please Reference District Special Provision for BRIDGE APPROACH PAVEMENT (SPECIAL)

REVISIONS	
NAME	DATE

ILLINOIS DEPARTMENT OF TRANSPORTATION
BRIDGE APPROACH PAVEMENT (SPECIAL)
KICKAPOO CREEK
STR# 057-0126 (WB I-74)
SCALE: DRAWN BY
DATE CHECKED BY