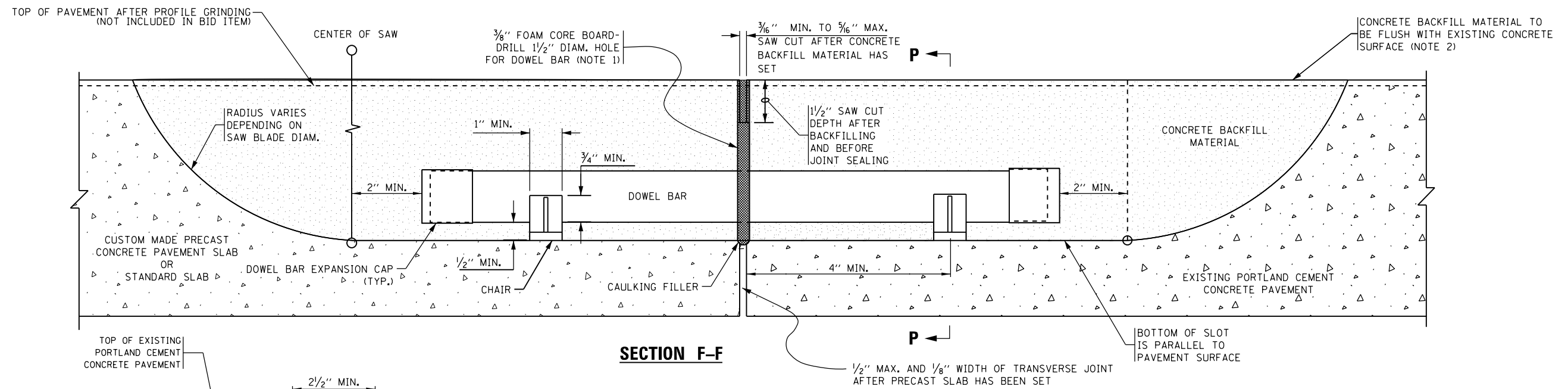
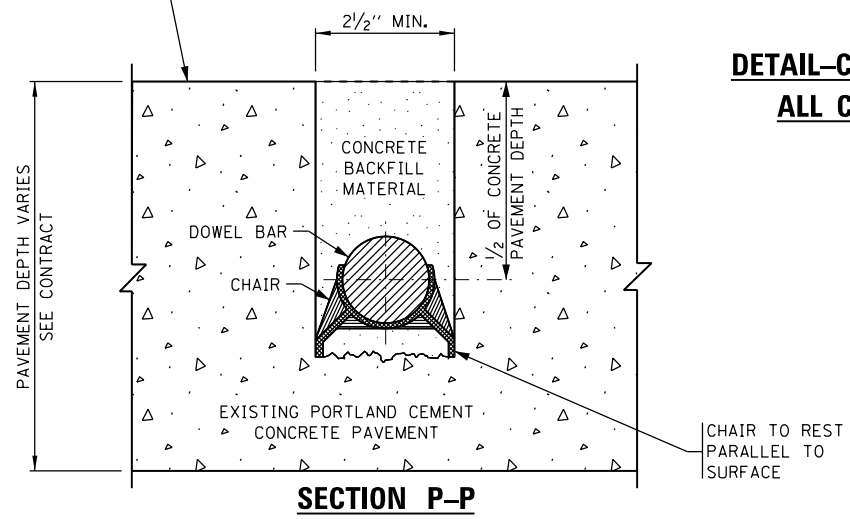


PLAN VIEW

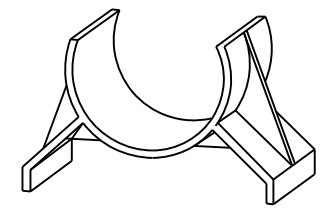


SECTION F-F

DETAIL-C, WIDE MOUTH DOWEL BAR PLACEMENT DETAIL FOR ALL CUSTOM MADE PRECAST PANELS AND OPTIONAL FOR STANDARD SLABS



SECTION P-P



CHAIR DETAIL

- NOTES:**
1. PLACE FOAM CORE BOARDS TO THE TOP OF PATCH.
 2. UPON COMPLETION, THE FINISHED SURFACE OF THE CONCRETE BACKFILL MATERIAL SHALL NOT BE BELOW EXISTING CONCRETE SURFACE.

FILE NAME =	USER NAME = dettmnra	DESIGNED - O. PATEL	REVISED -
et:\pw\work\p\dot\dettmnra\d0230696\DetStd.dgn		DRAWN -	REVISED -
Default	PLOT SCALE = 100.0000' / in.	CHECKED -	REVISED -
	PLOT DATE = 6/19/2014	DATE - 10-25-2013	REVISED -

**STATE OF ILLINOIS
DEPARTMENT OF TRANSPORTATION**

PRECAST CONCRETE PAVEMENT SLABS			
F.A. RTE.	SECTION	COUNTY	TOTAL SHEETS
353	23R-R5	COOK	66
BD 57		CONTRACT NO. 60L94	
SCALE: NONE	SHEET 13 OF 19 SHEETS	STA.	TO STA.

F.A. RTE.	SECTION	COUNTY	TOTAL SHEETS	SHEET NO.
353	23R-R5	COOK	66	52
BD 57		CONTRACT NO. 60L94		
ILLINOIS FED. AID PROJECT				