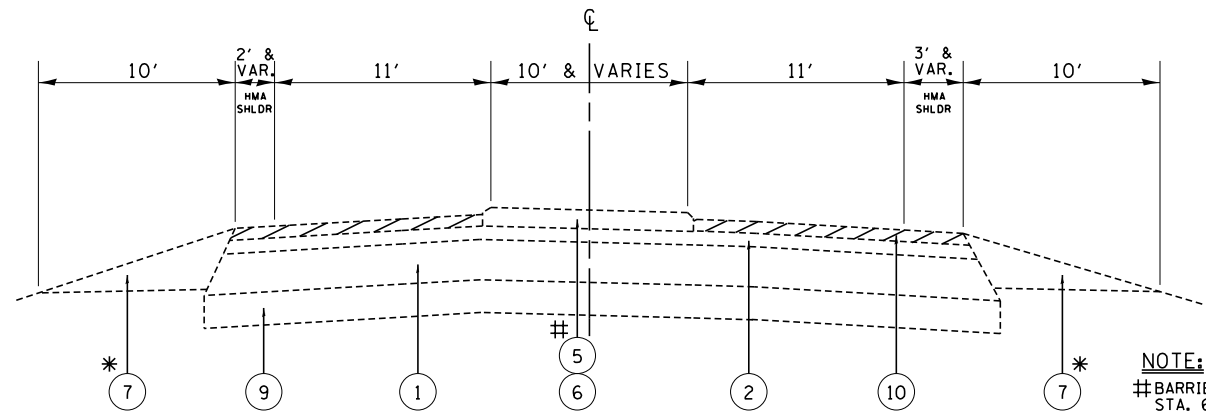


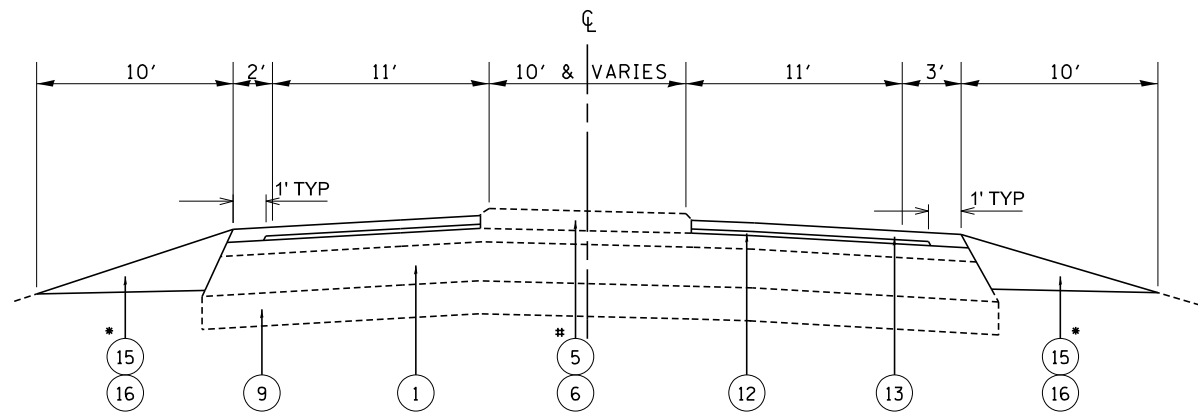
IL 68 (DUNDEE ROAD)



EXISTING TYPICAL SECTION
 STA 441+25.3 TO STA. 446+81
 STA. 625+69.7 TO STA. 627+46
 STA. 628+32 TO STA. 631+29

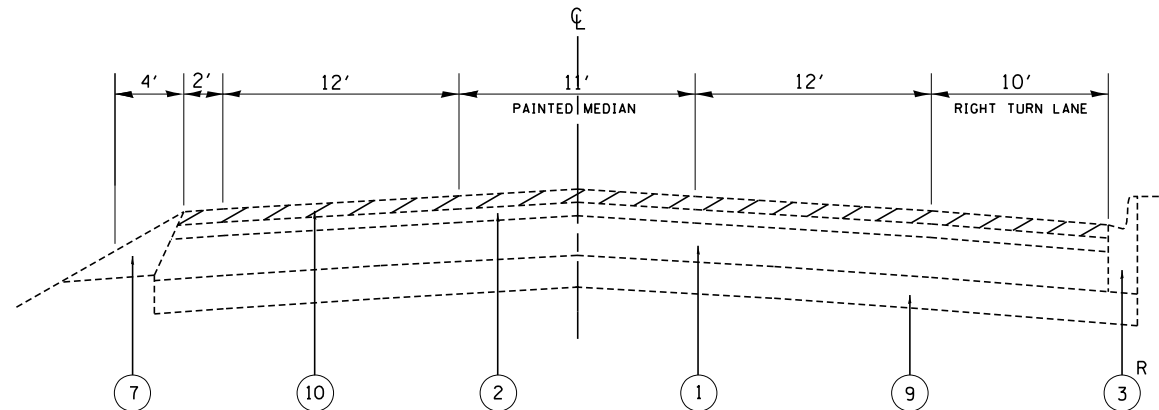
NOTE:
 # BARRIER MEDIAN
 STA. 628+80 TO STA. 629+35
 CORRUGATED MEDIAN
 STA. 629+35 TO STA. 631+28
 * HMA SHOULDER
 STA. 442+12 TO STA. 443+47
 STA. 625+69.7 TO STA. 627+46
 STA. 628+32 TO STA. 631+29
 AGGREGATE SHOULDER
 STA. 443+47 TO STA. 446+81

IL 68 (DUNDEE ROAD)



PROPOSED TYPICAL SECTION
 STA 441+25.3 TO STA. 446+81
 STA. 625+69.7 TO STA. 627+46
 STA. 628+32 TO STA. 631+29

IL 68 (DUNDEE ROAD)

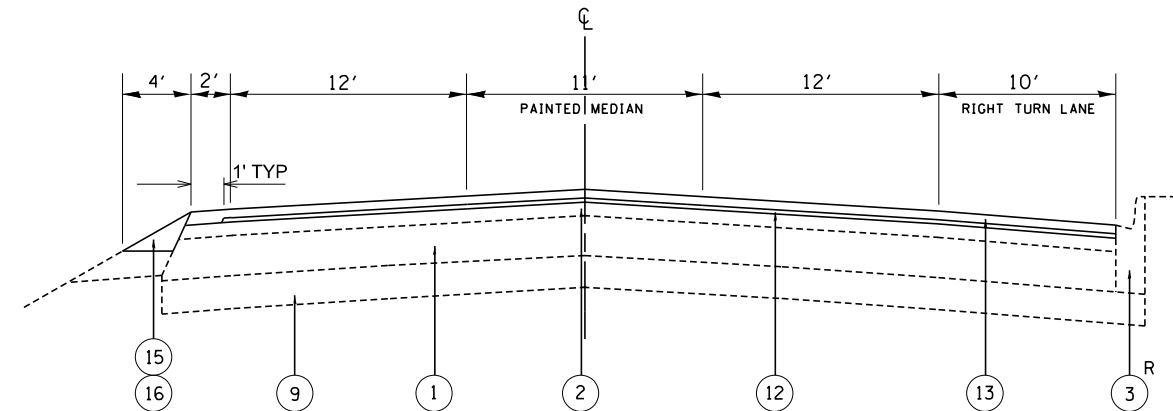


EXISTING TYPICAL SECTION
 STA. 530+33 TO STA. 533+05

LEGEND:

- ① EXISTING P. C. C. PAVEMENT ±8"
- ② EXISTING HOT-MIX ASPHALT SURFACE ±9" (AFTER MILLING)
- ③ EXISTING COMBINATION OF CURB & GUTTER TYPE B-6.12
- ④ EXISTING COMBINATION OF CURB & GUTTER TYPE B-6.24
- ⑤ EXISTING CORRUGATED MEDIAN
- ⑥ EXISTING BARRIER MEDIAN
- ⑦ EXISTING AGGREGATE SHOULDER
- ⑧ EXISTING CONCRETE BARRIER WALL
- ⑨ EXISTING STABILIZED SUB-BASE
- ⑩ PROPOSED HOT-MIX ASPHALT SURFACE REMOVAL 2 1/4"
- ⑪ PROPOSED HOT-MIX ASPHALT SURFACE REMOVAL 2 3/4"
- ⑫ PROPOSED POLYMERIZED LEVELING BINDER (MACHINE METHOD), IL- 4.75, N50, 3/4"
- ⑬ PROPOSED HOT-MIX ASPHALT SURFACE COURSE, MIX "D", N70 1 1/2"
- ⑭ PROPOSED POLYMERIZED HOT MIX ASPHALT SURFACE COURSE, SMA, N80, 2"
- ⑮ PROPOSED GRADING AND SHAPING SHOULDERS
- ⑯ PROPOSED AGGREGATE WEDGE SHOULDERS, TYPE B
- R CURB AND GUTTER REMOVAL AND REPLACEMENT (AS DIRECTED BY THE ENGINEER)

IL 68 (DUNDEE ROAD)



PROPOSED TYPICAL SECTION
 STA. 530+33 TO STA. 533+05

FILE NAME =	USER NAME = qureshiya	DESIGNED -	REVISED -
ca:\pw_work\p1dot\qureshiya\d0293334\0127512-sh1-plan.dgn		DRAWN -	REVISED -
	PLOT SCALE = 100.0000' / 1"	CHECKED -	REVISED -
	PLOT DATE = 6/14/2014	DATE -	REVISED -

STATE OF ILLINOIS
 DEPARTMENT OF TRANSPORTATION

EXISTING AND PROPOSED TYPICAL SECTIONS
 F.A.P. 343/ IL 68 (DUNDEE RD.)-IL 59 (HAWTHORNE RD.) TO US 12
 SCALE: SHEET NO. OF SHEETS STA. TO STA.

F.A.P. RTE.	SECTION	COUNTY	TOTAL SHEETS	SHEET NO.
343	(70 & 3045) RS-2	COOK	57	10
CONTRACT NO. 60T02				
ILLINOIS FED. AID PROJECT				