

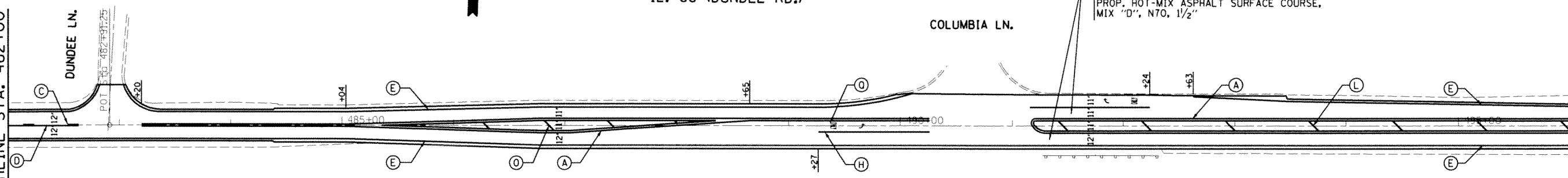
MATCHLINE STA. 482+00

MATCHLINE STA. 496+00

IL. 68 (DUNDEE RD.)

COLUMBIA LN.

PROP. HOT-MIX ASPHALT SURFACE REMOVAL, 2 1/4"
PROP. POLYMERIZED LEVELING BINDER
(MACHINE METHOD), IL-4.75, N50, 3/4"
PROP. HOT-MIX ASPHALT SURFACE COURSE,
MIX "D", N70, 1 1/2"



PAVEMENT MARKING KEY NOTE LEGEND:

- (A) PROP. THERMO. PVT. MARKING (YELLOW) - 4" SOLID CENTERLINE (2 LINES @ 11" C-C) - (TYP.)
- (B) PROP. THERMO. PVT. MARKING (YELLOW) - 4" SOLID EDGELINE - (TYP.)
- (C) PROP. THERMO. PVT. MARKING (YELLOW) - 4" SKIP-DASH CENTERLINE (10' LINE - 30' SPACE) - (TYP.)
- (D) PROP. THERMO. PVT. MARKING (YELLOW) - 4" SOLID NO PASSING ZONE LINE (5-1/2" C-C FROM SKIP-DASH) - (TYP.)
- (E) PROP. THERMO. PVT. MARKING (WHITE) - 4" SOLID EDGELINE - (TYP.)
- (F) PROP. THERMO. PVT. MARKING (WHITE) - 4" SKIP-DASH LANE LINE (10' LINE - 30' SPACE) - (TYP.)
- (G) PROP. THERMO. PVT. MARKING (YELLOW) - 4" TWO-WAY LEFT TURN LANE LINE (2 LINES @ 5-1/2" C-C) - (TYP.)
- (H) PROP. THERMO. PVT. MARKING (WHITE) - 6" SOLID TURN LANE LINE - (TYP.)
- (I) PROP. THERMO. PVT. MARKING (WHITE) - 6" SKIP-DASH TURN LANE LINE (2' LINE - 6' SPACE) - (TYP.)
- (J) PROP. THERMO. PVT. MARKING (WHITE) - 6" SOLID PEDESTRIAN CROSSWALK - (TYP.)
- (K) PROP. THERMO. PVT. MARKING (WHITE) - 8" SOLID CHANNELIZATION LINE - (TYP.)
- (L) PROP. THERMO. PVT. MARKING (YELLOW) - 12" SOLID PAINTED MEDIAN DIAGONAL LINE - RT. 45° DIAGONAL @ 75' C-C - (TYP.)
- (LI) PROP. THERMO. PVT. MARKING (WHITE) - 12" SOLID SHOULDER DIAGONAL LINE - RT. 45° DIAGONAL @ 75' C-C - (TYP.)
- (M) PROP. THERMO. PVT. MARKING (YELLOW) - 12" SOLID PAINTED MEDIAN DIAGONAL LINE - RT. 45° DIAGONAL @ 150' C-C - (TYP.)
- (MI) PROP. THERMO. PVT. MARKING (WHITE) - 12" SOLID SHOULDER DIAGONAL LINE - RT. 45° DIAGONAL @ 150' C-C - (TYP.)
- (N) PROP. THERMO. PVT. MARKING (WHITE) - 12" SOLID CHANNELIZATION LINE - RT. 45° CHEVRON @ 20' C-C - (TYP.)
- (O) PROP. THERMO. PVT. MARKING (YELLOW) - 12" SOLID PAINTED MEDIAN DIAGONAL LINE - RT. 45° DIAGONAL 5 EQUALLY SPACED
- (P) PROP. THERMO. PVT. MARKING (WHITE) - 24" SOLID STOP BAR - (TYP.)
- (Q) PROP. THERMO. PVT. MARKING (WHITE) LETTERS AND SYMBOLS - (TYP.)

OMISSION BEGINS
STATION 498+00

BARRINGTON RD.

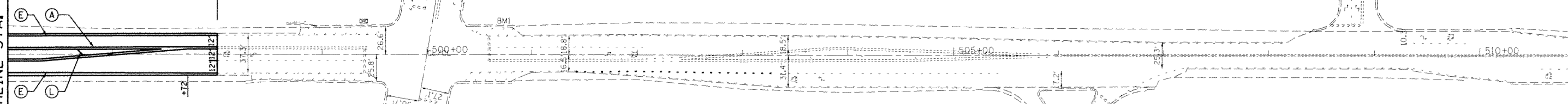


IL. 68 (DUNDEE RD.)

MATCHLINE STA. 496+00

MATCHLINE STA. 511+00

STONE CANYON CIRCLE



FILE NAME =	USER NAME = steedpe	DESIGNED -	REVISED -	STATE OF ILLINOIS DEPARTMENT OF TRANSPORTATION	ROADWAY AND PAVEMENT MARKING PLANS		F.A.P. RTE.	SECTION	COUNTY	TOTAL SHEETS	SHEET NO.
c:\pw_work\pwwork\stedpe\0293334\0127	012-shr-plan.dgn	DRAWN -	REVISED -		F.A.P. 343/ IL 68 (DUNDEE RD.)--IL 59 (HAWTHORNE RD.) TO US 12		343	(70 & 3045)RS-2	COOK	57	18
	PLOT SCALE = 100.0000 1/4" = 1'	CHECKED -	REVISED -		SCALE: 1"=50'				CONTRACT NO. 60T02		
	PLOT DATE = 6/13/2014	DATE -	REVISED -		SHEET OF SHEETS STA. 482+00 TO STA. 511+00				ILLINOIS FED. AID PROJECT		