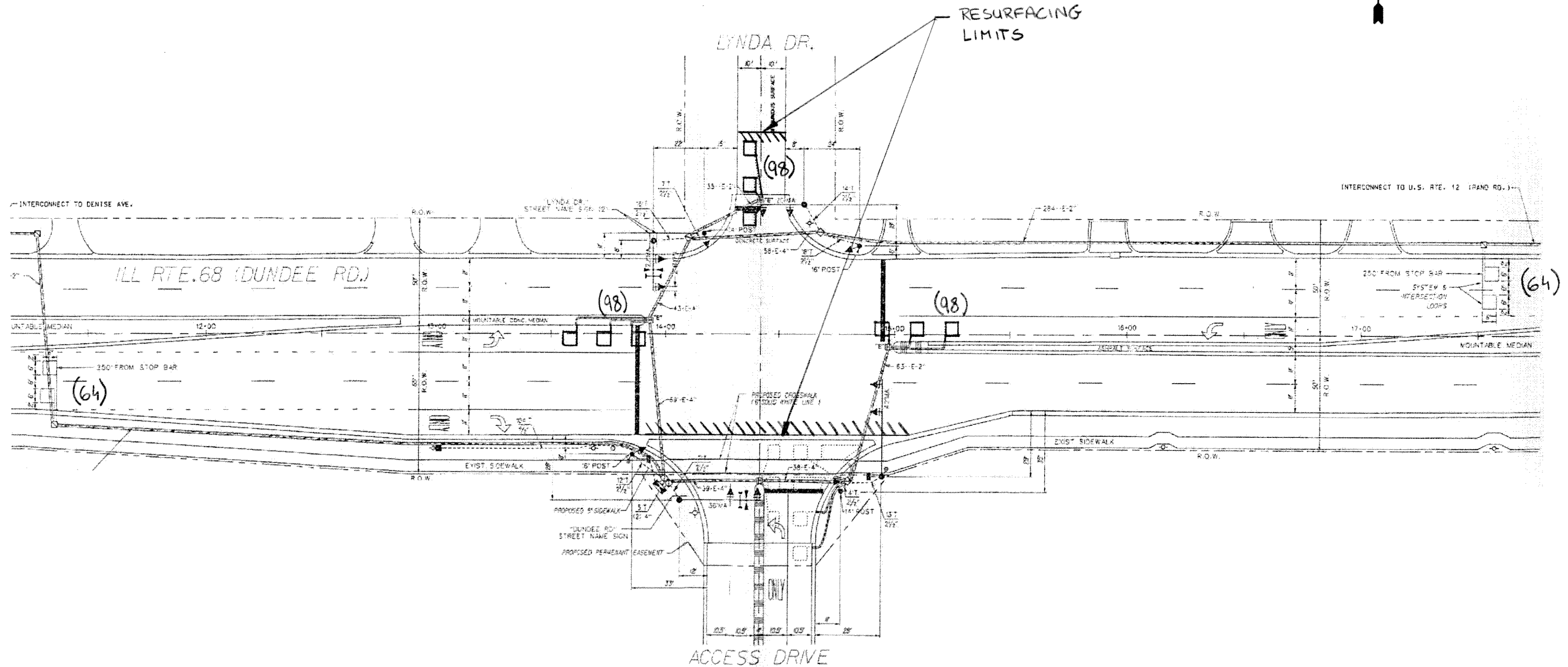


WORK SHALL MEET THE REQUIREMENTS OF THE SPECIAL PROVISION, "TRAFFIC SIGNAL SPECIFICATIONS FOR DETECTOR LOOP REPLACEMENT AND/OR INSTALLATION ON ROADWAY GRINDING, RESURFACING AND PATCHING OPERATIONS". SPECIAL ATTENTION MUST BE MADE TO THE SECTIONS "INSPECTION OF CONSTRUCTION" AND "DETECTOR LOOP REPLACEMENT" FOR INSTALLATION AND INSPECTION REQUIREMENTS. LOOP REPLACEMENT WORK THAT DOES NOT MEET THE CONTRACT REQUIREMENTS **SHALL NOT BE PAID**. WORK NECESSARY TO COMPLETE THE LOOP REPLACEMENT WORK MAY BE ASSIGNED BY THE ENGINEER TO IDOT'S ELECTRICAL MAINTENANCE CONTRACTOR (EMC); ALL RELATED COSTS WILL BE THE RESPONSIBILITY OF THE CONTRACTOR.

**TRAFFIC SIGNAL LEGEND**

PROPOSED	EXISTING
SIGNAL HEAD WITH BACKPLATE	→
SIGNAL HEAD	→
GALVANIZED STEEL CONDUIT IN TRENCH OR PUSHED	---
DETECTOR LOOP	□
VEHICLE DETECTOR, NON COMPENSATED MAGNETIC TYPE	⊞
RACEWAY FOR MAGNETIC DETECTOR, TYPE I OR TYPE II	⊞



**THIS PLAN IS FOR THE SOLE PURPOSE OF DETECTOR LOOP REPLACEMENTS ONLY**

**REPLACE ALL DETECTOR LOOPS AS SHOWN (WITHIN THE RESURFACING LIMITS)**

CODE	QUANTITY	UNIT	ITEM
88600600	442	FOOT	DETECTOR LOOP REPLACEMENT

STATE OF ILLINOIS DEPARTMENT OF TRANSPORTATION		DISTRICT ONE - DETECTOR LOOP REPLACEMENT IL RTE 68 (DUNDEE RD) AT LYNDA DR		F.A.D. RTE. 313 (70 & 3045)2S-2	SECTION COOK	COUNTY COOK	TOTAL SHEETS 57	SHEET NO. 39
SCALE: NTS	SHEET NO.	OF SHEETS	STA.	TO STA.	CONTRACT NO. 60T02			

FILE NAME DetectorLoop.dgn	USER NAME pooiechal	DESIGNED -	REVISED -
PLOT SCALE = 48.0000' / 1"	CHECKED -	REVISOR -	DATE -
PLOT DATE = 1/23/2012	DATE -	REVISOR -	DATE -