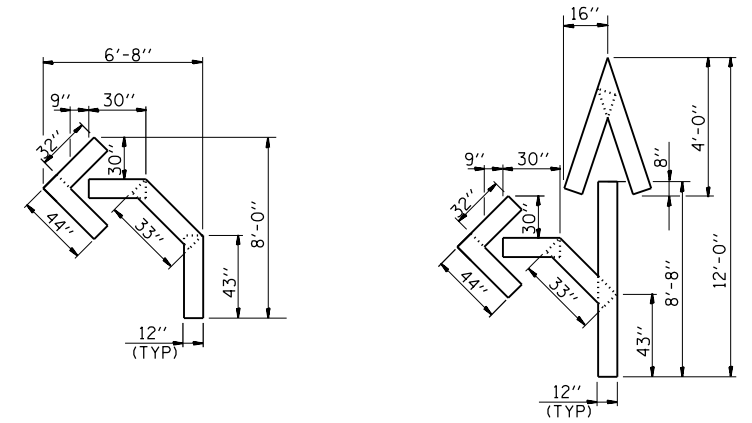
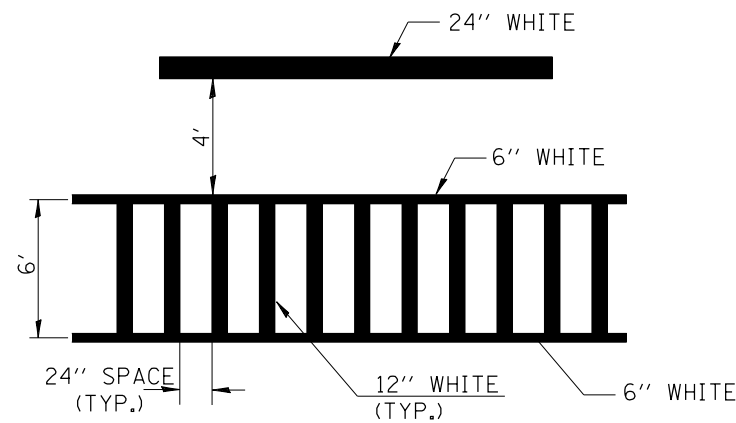


**TYPICAL APPLICATION  
LEFT TURN LANES**

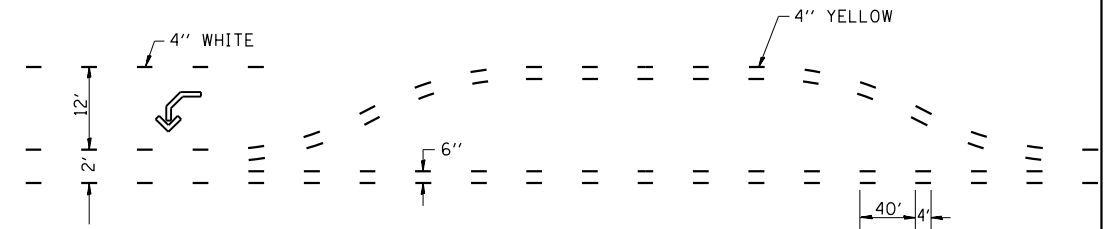


QUANTITY  
12" LINE = 16 LIN. FT.  
OR 4" LINE = 48 LIN. FT.

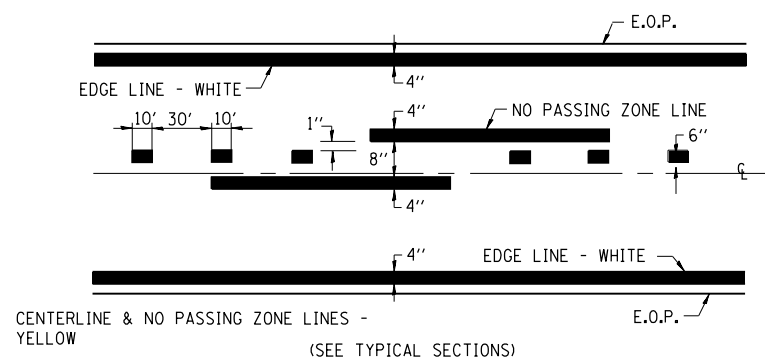
QUANTITY  
12" LINE = 29 LIN. FT.  
OR 4" LINE = 87 LIN. FT.



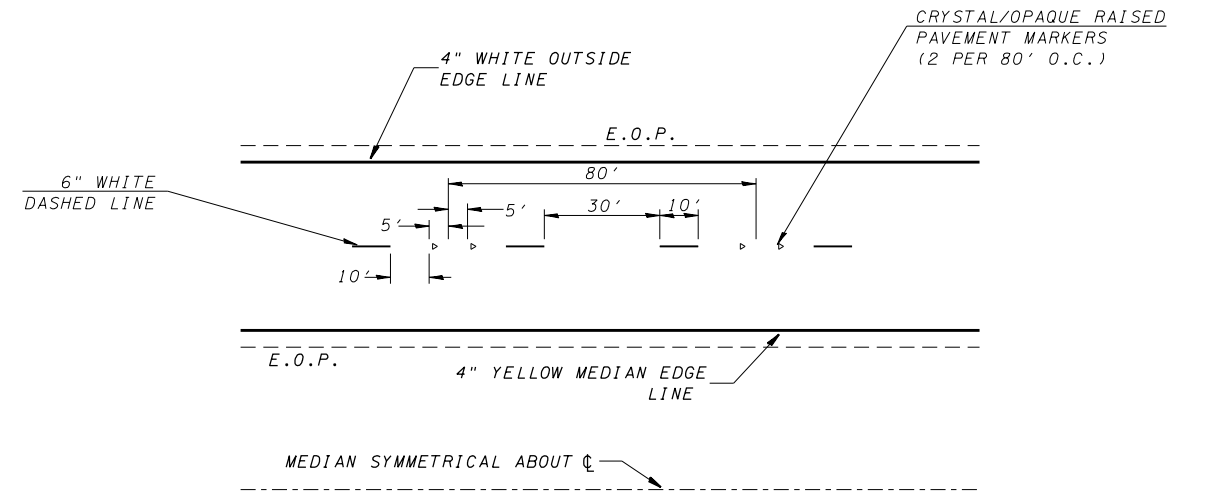
**TYPICAL SPACING DETAIL FOR  
CROSSWALKS AND STOP BARS**



**SHORT-TERM PAVEMENT MARKING FOR MEDIANS AND ARROWS**



**PAVEMENT MARKING**



**TYPICAL PAVEMENT MARKINGS**

FILE NAME =	USER NAME = duncanbd	DESIGNED -	REVISED -
et:\pw\work\p\idot\duncanbd\0296614\0365C07-sht-details.dgn		DRAWN -	REVISED -
	PLOT SCALE = 100.0000' / in.	CHECKED -	REVISED -
	PLOT DATE = 6/14/2014	DATE -	REVISED -

**STATE OF ILLINOIS  
DEPARTMENT OF TRANSPORTATION**

<b>DETAILS</b>				
SCALE:	SHEET NO.	OF SHEETS	STA.	TO STA.

F.A.P. RTE.	SECTION	COUNTY	TOTAL SHEETS	SHEET NO.
46	(1,12)RS-4	LASALLE	54	49
CONTRACT NO. 66C07				
ILLINOIS FED. AID PROJECT				