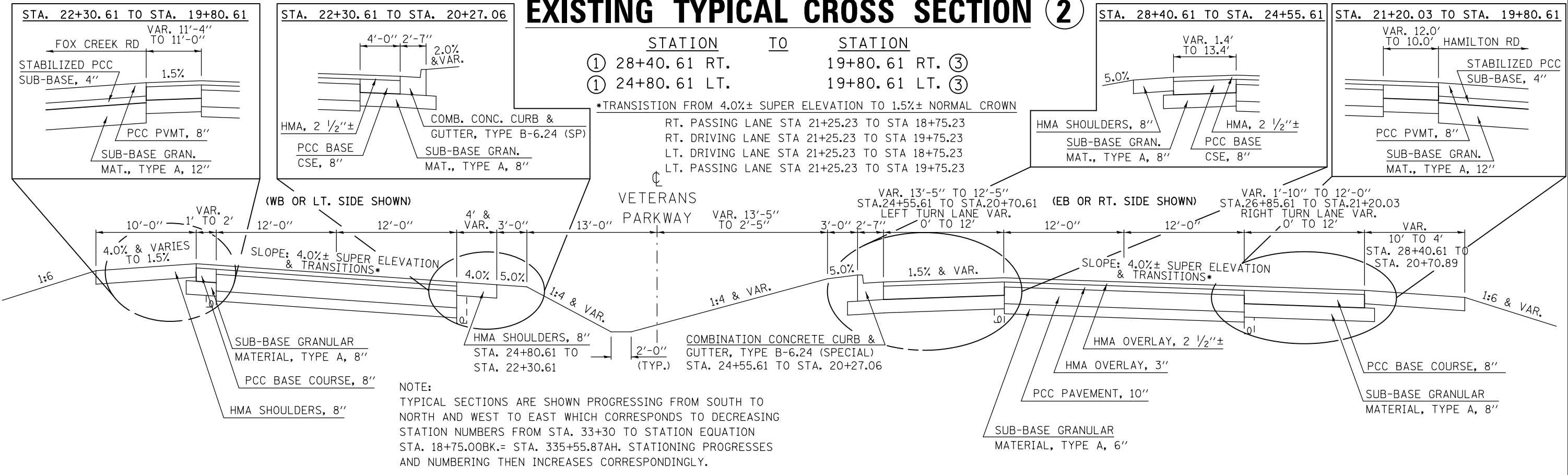
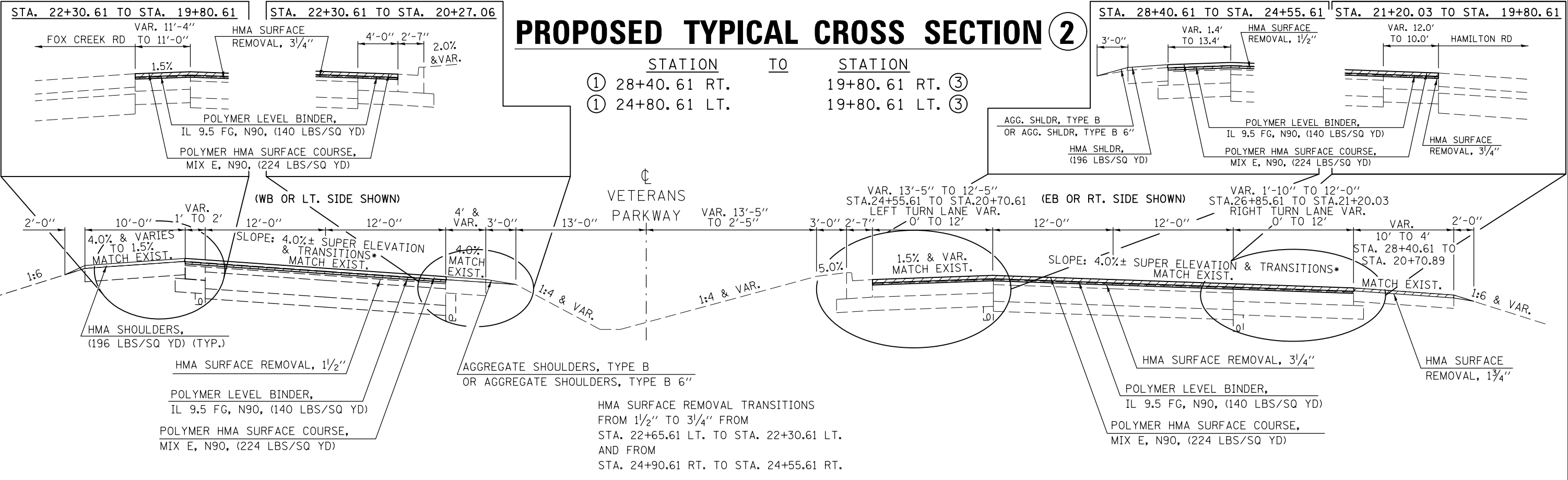


EXISTING TYPICAL CROSS SECTION 2



PROPOSED TYPICAL CROSS SECTION 2



FILE NAME =	USER NAME = dodgems	DESIGNED -	REVISED -	STATE OF ILLINOIS DEPARTMENT OF TRANSPORTATION	TYPICAL CROSS SECTIONS			F.A.P. RTE.	SECTION	COUNTY	TOTAL SHEETS	SHEET NO.	
et:\pw\work\p1dot\dodgems\d0267571\0570838-sht-typical.dgn		DRAWN -	REVISED -		SCALE:	SHEET NO. 2 OF 12 SHEETS	STA.	TO STA.	704	(57-7)RS-1&1RS-3	McLean	273	18
		CHECKED -	REVISED -		CONTRACT NO. 70838								
		DATE -	REVISED -		ILLINOIS FED. AID PROJECT								