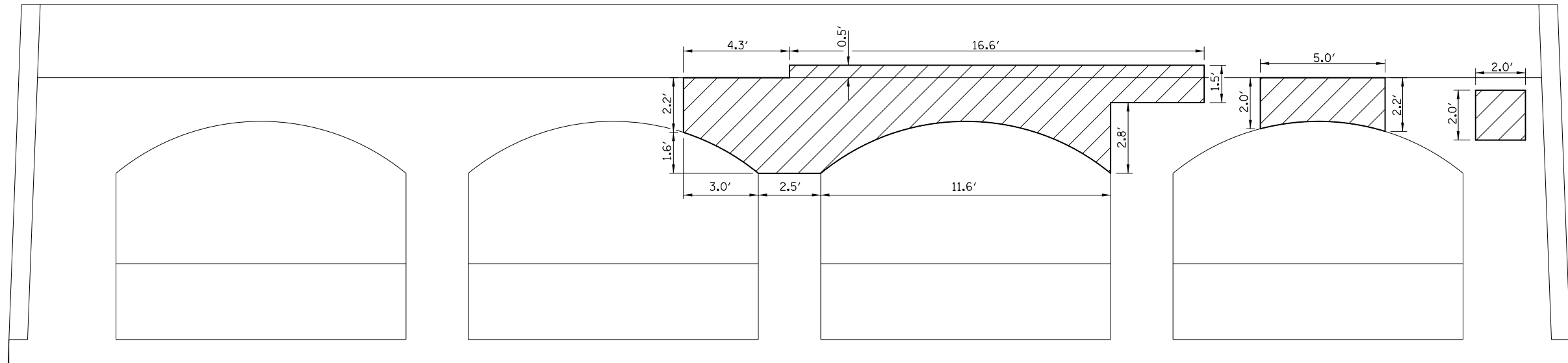
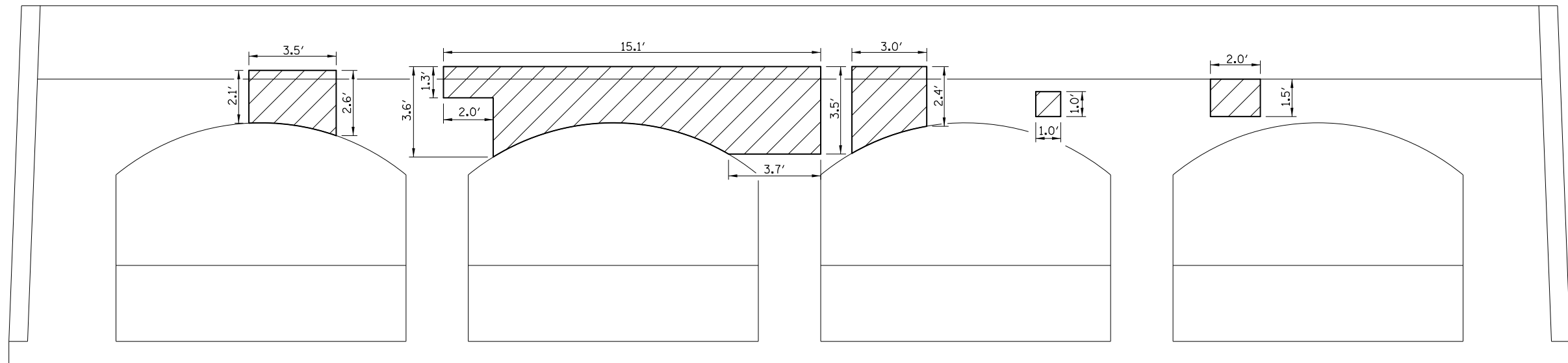


## PIER 1 – WEST SIDE



## PIER 1 – EAST SIDE



### LEGEND

STRUCTURAL REPAIR OF CONCRETE, DEPTH EQUAL TO OR LESS THAN 5"

### NOTE:

SEE SPECIAL PROVISION FOR STRUCTURAL REPAIR OF CONCRETE.

### BILL OF MATERIALS

ITEM	UNIT	TOTAL
STRUCTURAL REPAIR OF CONCRETE, DEPTH EQUAL TO OR LESS THAN 5"	SQ FT	132.7

FILE NAME =	USER NAME = dodgems	DESIGNED - GMS	REVISED -	<b>STATE OF ILLINOIS DEPARTMENT OF TRANSPORTATION</b>	<b>S.N. 057-0063 – SUBSTRUCTURE REPAIR PLAN PIER 1</b>	F.A.P. RTE.	SECTION	COUNTY	TOTAL SHEETS	SHEET NO.	
		DRAWN - GMS	REVISED -			704	(57-7)RS-1 & 1RS-3	McLean	273	116	
		CHECKED - BJM	REVISED -			<b>CONTRACT NO. 70838</b>					
		DATE - 10-29-12	REVISED -			ILLINOIS FED. AID PROJECT					
Default	PLOT DATE = 6/11/2014			SCALE:		SHEET 6 OF 8 SHEETS		STA.		TO STA.	