

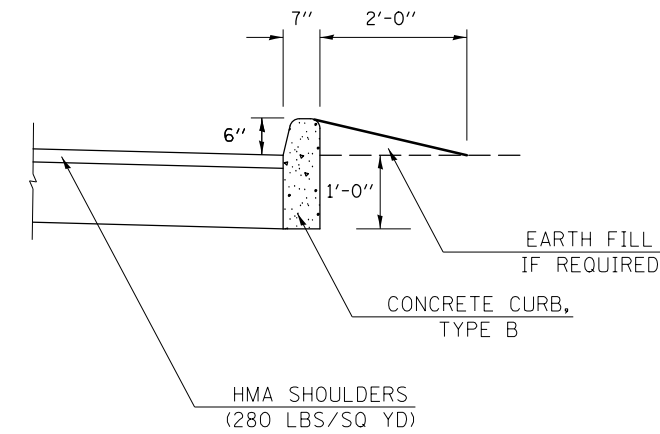
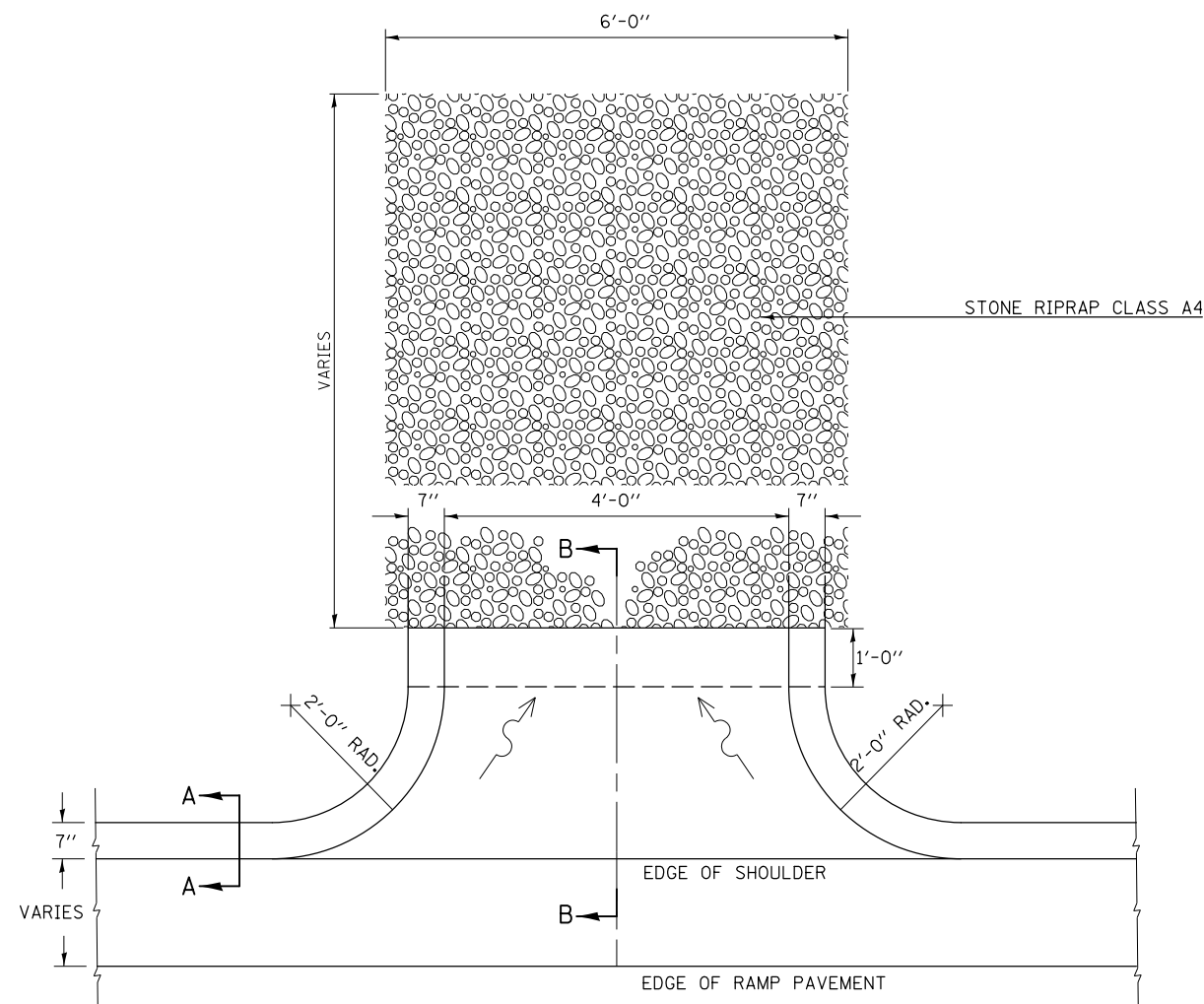
CONCRETE CURB, TYPE B AND CLASS SI CONCRETE OUTLET

GENERAL NOTES

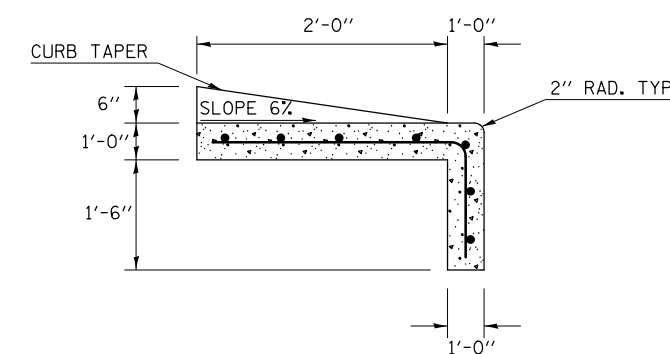
1. CLASS SI CONCRETE SHALL BE USED THROUGHOUT.
2. WELDED WIRE FABRIC WEIGHING NOT LESS THAN 58 LBS./ 100 SQ. FT. SHALL BE USED THROUGHOUT.
3. TIE BARS SHALL BE PLACED AND TIED TO THE SHOULDER IN ACCORDANCE WITH DETAILS FOR LONGITUDINAL CONSTRUCTION JOINT SHOWN ON STD. 420001.
4. NO TIE BARS ARE REQUIRED WHEN NEXT TO FULL-DEPTH FLEXIBLE SHOULDER.
5. TIE BARS WILL NOT BE PAID FOR SEPARATELY BUT SHALL BE CONSIDERED TO BE INCLUDED IN THE COST OF THE PAY ITEM "CLASS SI CONCRETE (OUTLET)".
6. THIS WORK WILL BE PAID FOR AT THE CONTRACT UNIT PRICE PER CUBIC YARD FOR CLASS SI CONCRETE (OUTLET).

DETAIL LOCATIONS:

NE RAMP STA 11+75 RT.
NE RAMP STA 13+75 RT.
NE RAMP STA 15+65 RT.



SECTION A-A



SECTION B-B

FILE NAME =	USER NAME = dodgems	DESIGNED - BJM	REVISED -	STATE OF ILLINOIS DEPARTMENT OF TRANSPORTATION	CONCRETE CURB, TYPE B AND CLASS SI CONCRETE OUTLET	F.A.P. RTE.	SECTION	COUNTY	TOTAL SHEETS	SHEET NO.	
et:\pw\work\p\dot\dodgems\d0267571\0570838-sht-details.dgn	DRAWN - BJH	REVIS	REVIS			704	(57-7RS-1 & 1RS-3)	McLean	273	141	
MODELNAME	PLOT SCALE = 40.0000 ' / in.	CHECKED - BJH	REVIS			CONTRACT NO. 70838					
	PLOT DATE = 6/11/2014	DATE - 11/5/2012	REVIS			ILLINOIS FED. AID PROJECT					