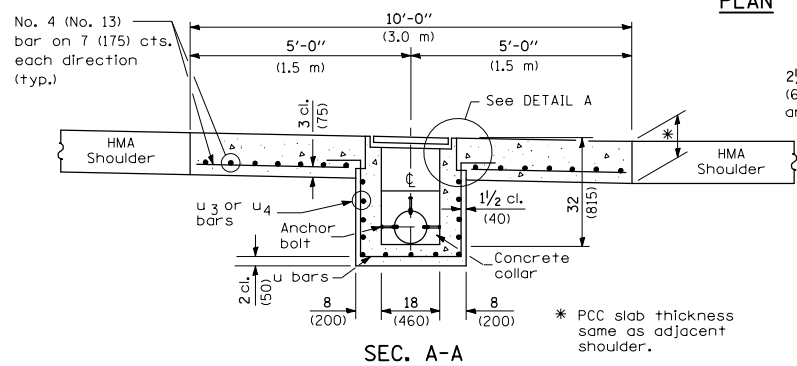
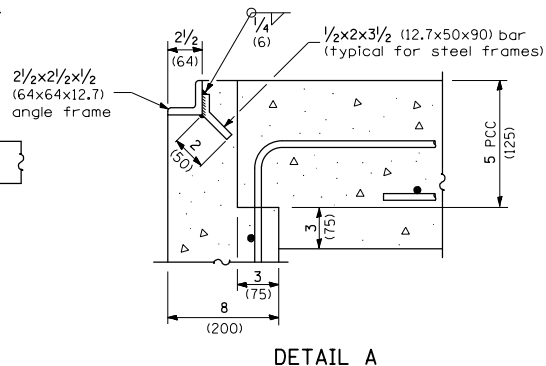


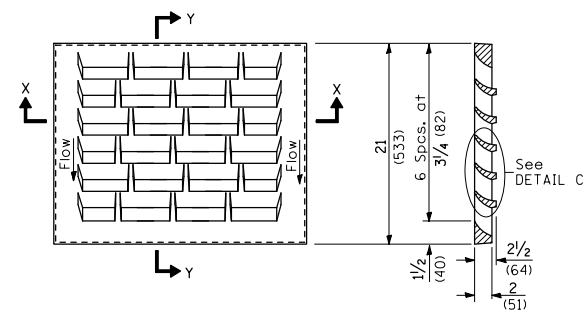
PLAN



SEC. A-A

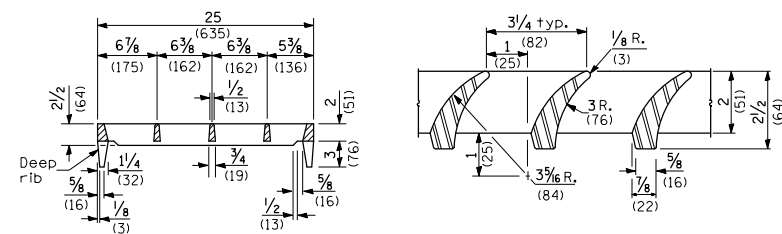


DETAIL A



DETAIL OF CAST GRATE

SECTION Y-Y



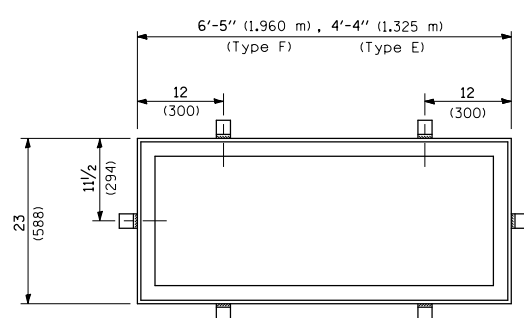
SECTION X-X

DETAIL C

INLET BOX							
REQUIRED MATERIAL							
TYPE E				TYPE F			
Bar	Qty.	Size	Length	Bar	Qty.	Size	Length
u	6	No. 4 (No. 13)	9'-9" (2,96 m)	u	8	No. 4 (No. 13)	9'-9" (2,96 m)
u ₂	3	No. 4 (No. 13)	11'-9" (3,57 m)	u ₁	3	No. 4 (No. 13)	13'-10" (4,21 m)
u ₄	6	No. 4 (No. 13)	9'-6" (2,89 m)	u ₃	6	No. 4 (No. 13)	11'-6" (3,49 m)
Concrete	cu. yds. (m ³)	1,3 (1,0)		Concrete	cu. yds. (m ³)	1,7 (1,3)	
Reinf. bars	lbs. (kg)	101 (45,8)		Reinf. bars	lbs. (kg)	126 (57,2)	
Grating	sq. ft. (m ²)	7,3 (0,68)		Grating	sq. ft. (m ²)	10,9 (1,02)	

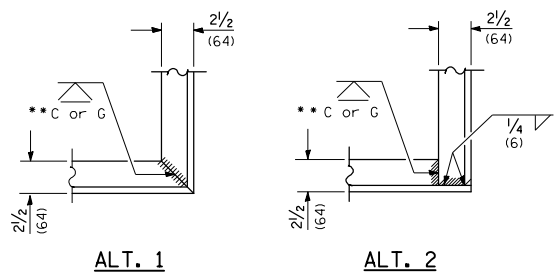
INLET TYPE	SHOULDER WIDTH	0-0 GRATING FRAME	INLET BOX INSIDE WIDTH	INLET BOX INSIDE LENGTH
Type E	6'-9" AND VAR.	4'-4" (1,325 m)	3'-11" (1,195 m)	18 (460)
Type F	10'	6'-5" (1,960 m)	6'-0" (1,830 m)	18 (460)

Type E requires 2 grates
Type F requires 3 grates



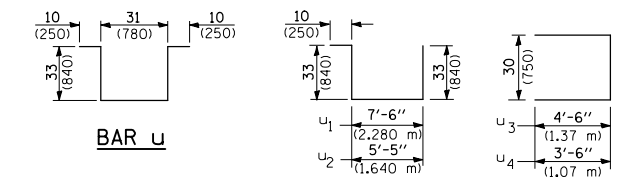
DETAIL OF STEEL FRAME

Cast frame to have same basic dimensions.

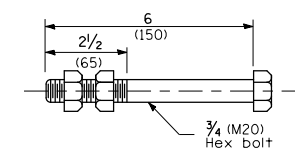


TYPICAL CORNER OF STEEL GRATING FRAME

**Cut or Grind flush



BAR u, BARS u₁, u₂, BARS u₃, u₄

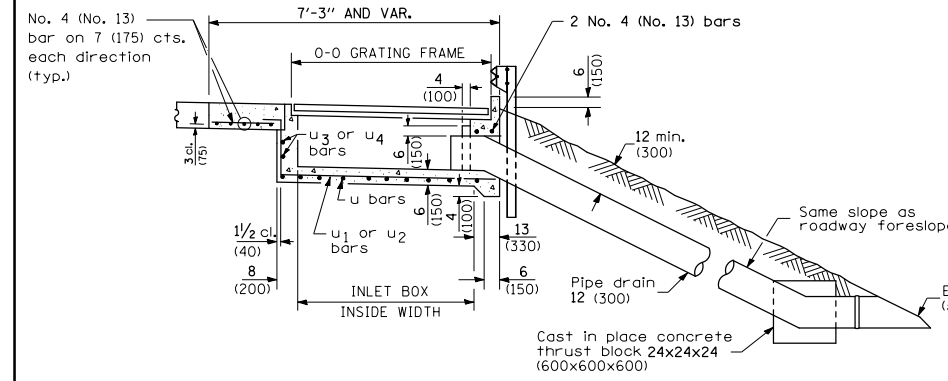


ANCHOR BOLT

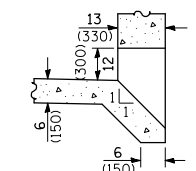
(Used to tie pipe to concrete collar)

GENERAL NOTES

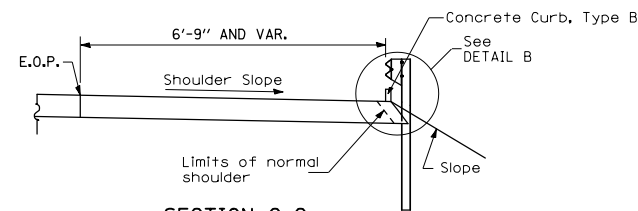
- See Standard 420001 for joint details not shown.
- All exposed edges of the inlet, except the upper perimeter, shall be beveled 3/4 (20).
- For placement of drainage elements on existing construction with existing rigid pavement, substitute expansion anchor ties for the tie bars. For non-rigid pavements or monolithic construction of pcc slab and shoulder, omit tie bars.
- The cost of PCC slab shall be included in the cost of Type E or F Inlet Box, Standard 610001 (SPECIAL).
- The cost of the Concrete Curb, Type B shall be paid for at the contract unit price per foot (meter) for Concrete Curb, Type B.
- The cost of concrete shoulder curb shall be paid for at the contract unit price per foot (meter) for Concrete Shoulder Curb.
- The lengths of reinforcement bars used in the portland cement concrete slab shall be such as to accommodate the lengths, widths, and spacing shown on the plans.
- All dimensions are in inches (millimeters) unless otherwise shown.



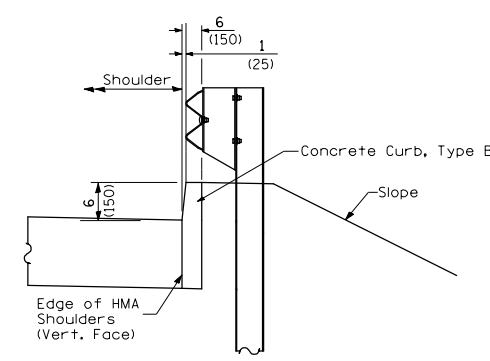
SEC. B-B



BOX OUTLET WHEN PRECAST



SECTION C-C



DETAIL B