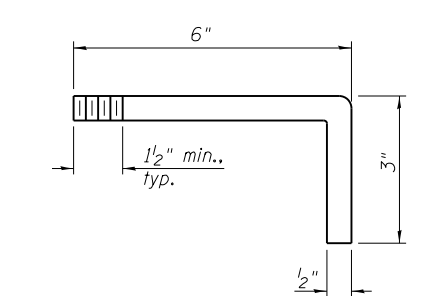
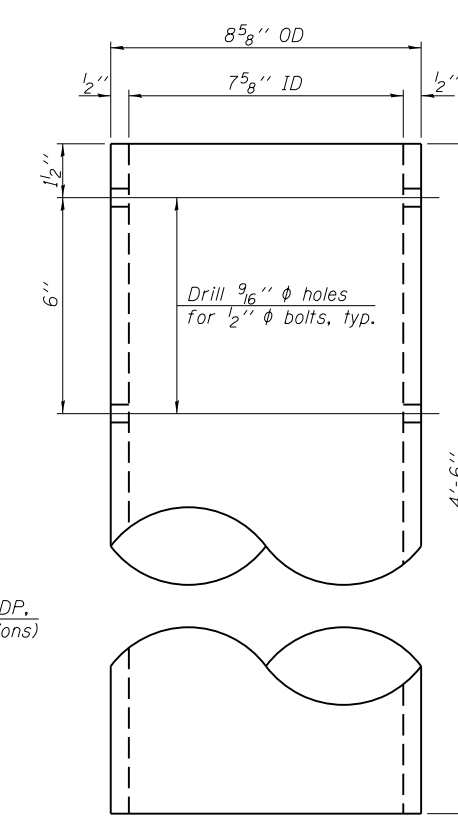
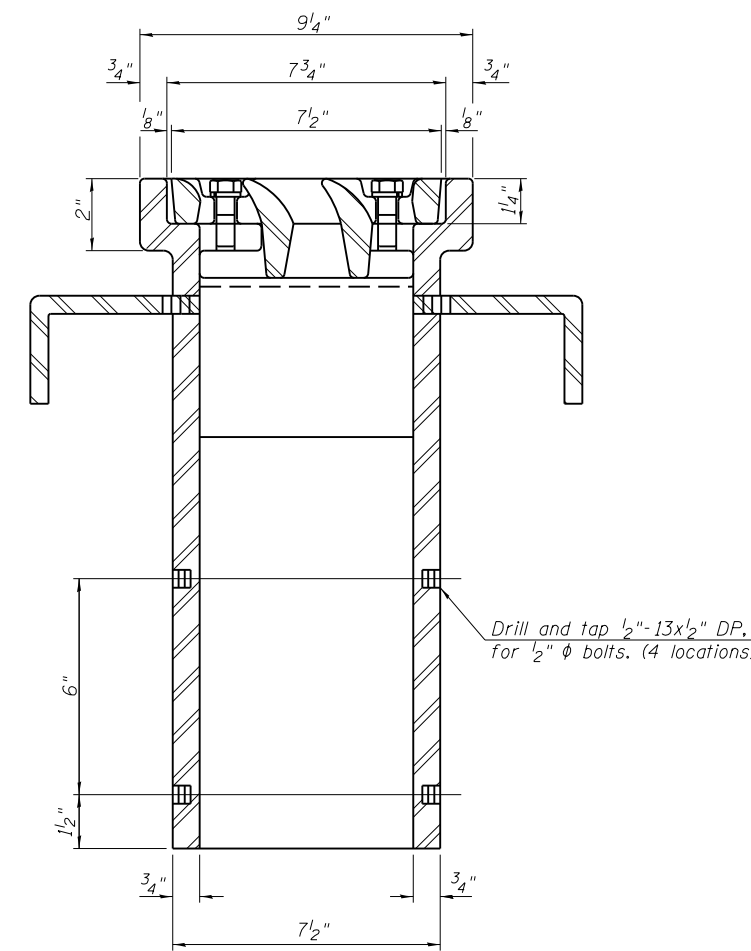
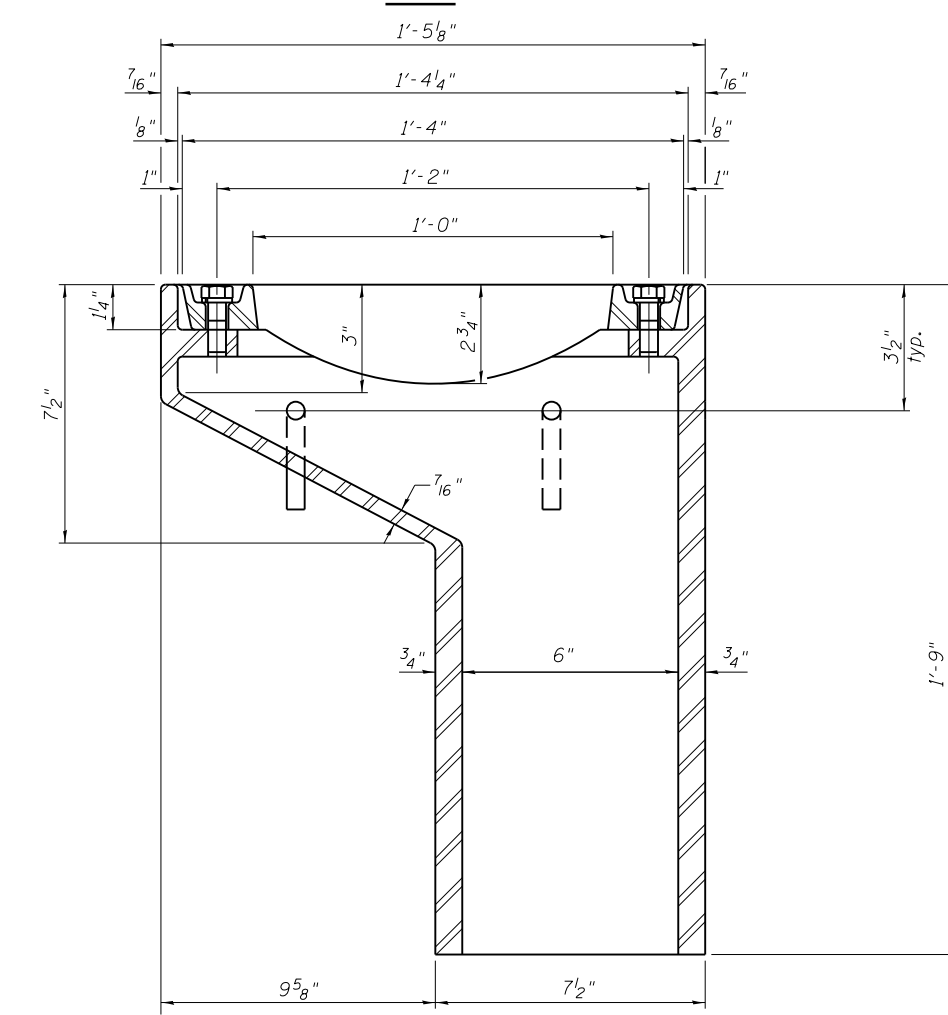


Notes:  
 All cast iron parts shall be gray iron conforming to the requirements of AASHTO M 105, Class 35B.  
 Bolts, anchor studs, washers and nuts shall conform to the requirements of ASTM A 307 and shall be galvanized according to AASHTO M 232.  
 Downspouts located on the exterior side of a painted steel fascia beam shall be painted with the finish coat specified for the exterior side of the fascia beam.  
 As an alternate, bolts, anchor studs, washers and nuts may be stainless steel according to Article 1006.29(d) of the Standard Specifications.  
 Structural steel weldments of equal sections and of the same configuration may be substituted for the cast iron scupper frame. Fillet or full penetration welds shall be used for the weldments. Details shall be submitted to the Engineer for approval. Structural steel weldments shall not be substituted for the cast iron scupper grate. Structural steel frames and downspouts shall be galvanized according to AASHTO M111.  
 The Contractor shall take appropriate measures to assure that Protective Coat is not applied to the scupper.  
 Cost of the Grate, Frame, Downspout, Anchor Studs, Bolts, Washers and Nuts including complete installation of the scupper shall be paid for at the contract unit price each for Drainage Scupper, DS-11.  
 Alternate fiberglass downspout conforming to ASTM D 2996 with a short-time rupture strength hoop tensile stress of 30,000 psi min. may be used in lieu of the cast iron or steel equivalent.



**BILL OF MATERIAL**

ITEM	UNIT	QUANTITY
Drainage Scupper, DS-11	Each	5

DS-11 7-1-10

FILE NAME = c:\pwork\pwsidot\left\wchd\655362001\039077-78215.dgn	DESIGNED - S.M.S.	REVISED -
3085 STEVENSON DRIVE, SUITE 201 SPRINGFIELD, ILLINOIS 62703 217.546.3400 www.hireengineering.com	CHECKED - C.C.S.	REVISED -
184.000099 ILLINOIS PROFESSIONAL DESIGN FIRM L.S. / P.E. CORPORATION	DRAWN - D.A.B.	REVISED -
PLOT SCALE =	CHECKED - M.D.C.	REVISED -
PLOT DATE = 6/4/2014		

STATE OF ILLINOIS  
 DEPARTMENT OF TRANSPORTATION

DRAINAGE SCUPPER, DS-11  
 STRUCTURE NO. 039-0077  
 SHEET NO. 13 OF 32 SHEETS

FAP	SECTION	COUNTY	TOTAL SHEETS	SHEET NO.
42	13B-1	JACKSON	112	47
IL 13/127 OVER BEAUCOUP CR.			CONTRACT NO. 78215	
ILLINOIS FED. AID PROJECT				