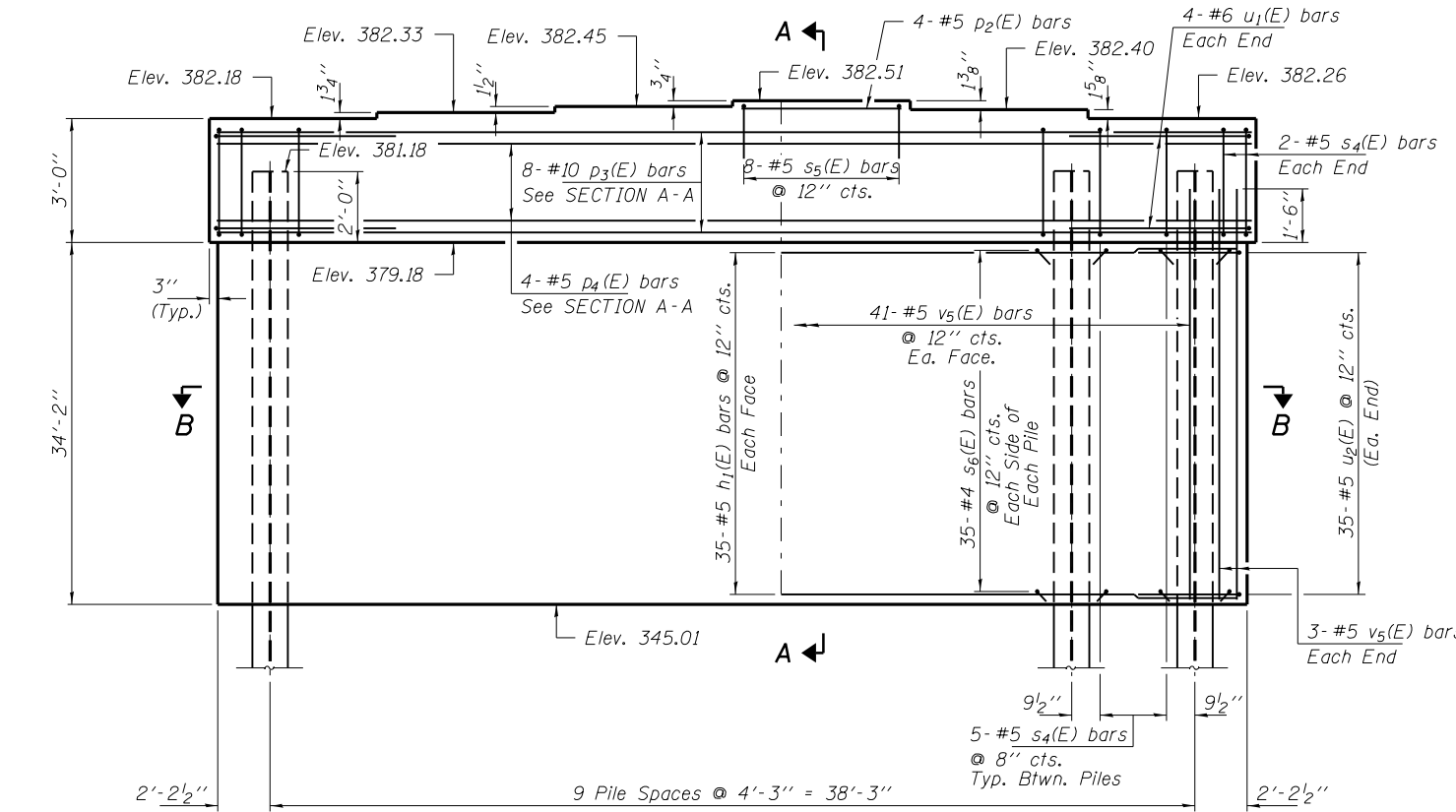
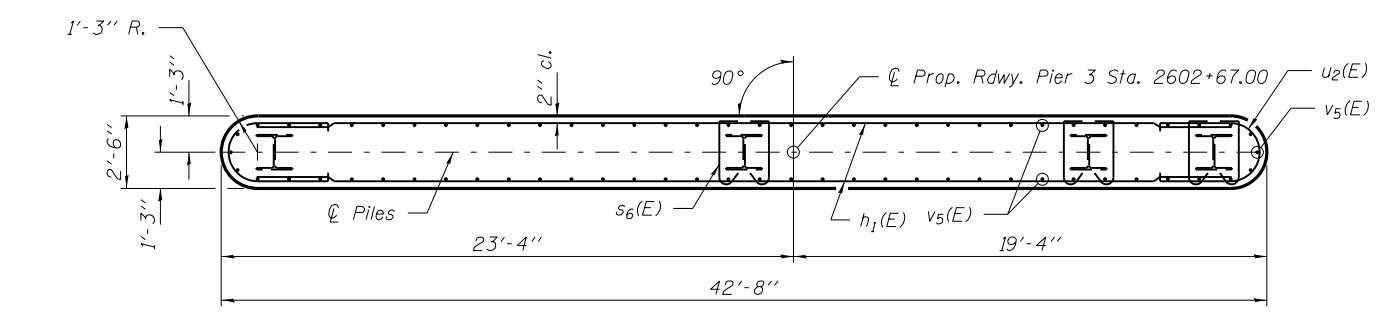


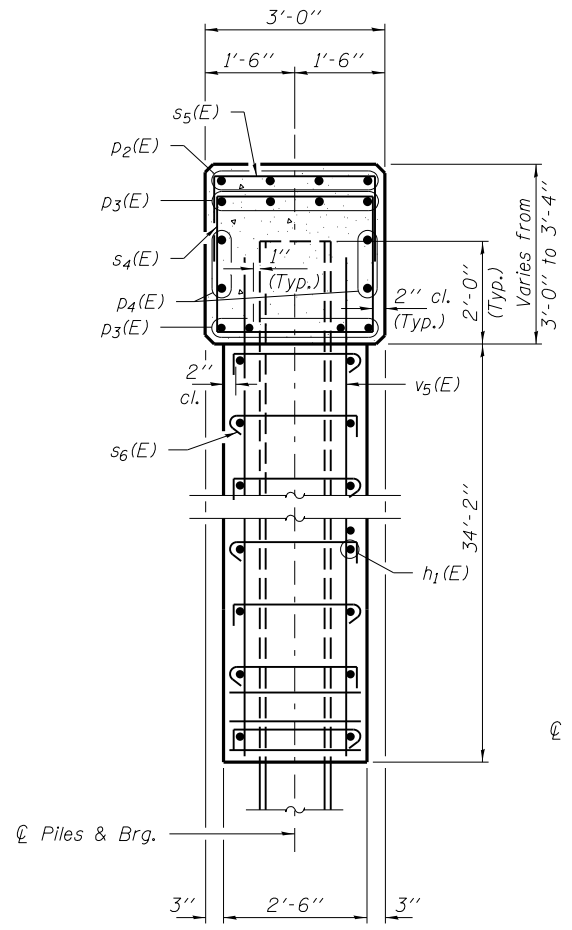
PLAN



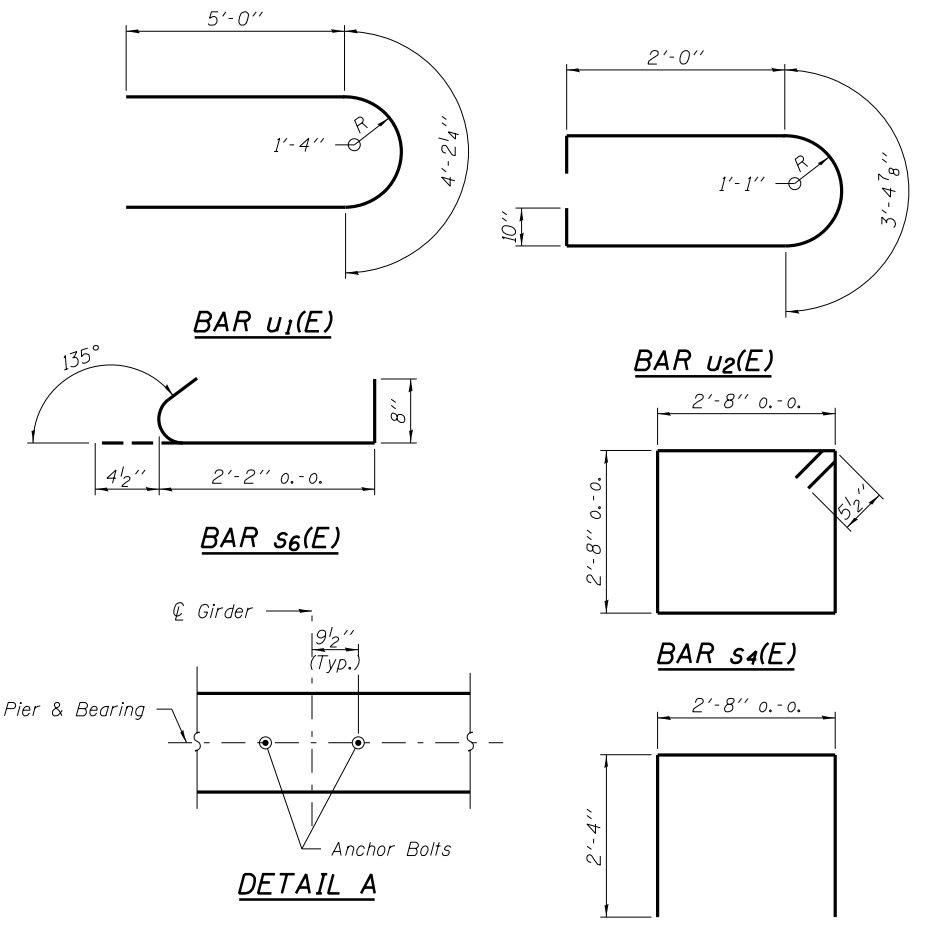
ELEVATION
(Looking North)



SECTION B-B



SECTION A-A



DETAIL A

Notes:
Space reinforcement in cap to miss anchor bolts.
Pour steps monolithically with cap.
For details of piles, see sheet 25 of 32.
Temporary bracing of Pier 3 may be required prior to the beams being set.

PILE DATA

Type: Steel HP14x117 with Pile Shoes
Nominal Required Bearing: 929 Kips/pile
Factored Resistance Available: 511 Kips/pile
Est. Length: 91'
No. Production Piles: 10

BILL OF MATERIAL - PIER 3

BAR	NO.	SIZE	LENGTH	SHAPE
h ₁ (E)	70	#5	40'-2"	—
p ₂ (E)	4	#5	7'-0"	—
p ₃ (E)	8	#10	40'-2"	—
p ₄ (E)	4	#5	40'-2"	—
s ₄ (E)	49	#5	11'-7"	□
s ₅ (E)	8	#5	7'-4"	□
s ₆ (E)	700	#4	3'-3"	┌
u ₁ (E)	8	#6	14'-3"	U
u ₂ (E)	70	#5	9'-1"	U
v ₅ (E)	88	#5	35'-6"	—

Concrete Structures	Cu. Yd.	148.3
Reinforcement Bars, Epoxy Coated	Pound	10,780
Furnishing Steel Piles HP14x117	Foot	910
Driving Piles	Foot	910
Pile Shoes	Each	10