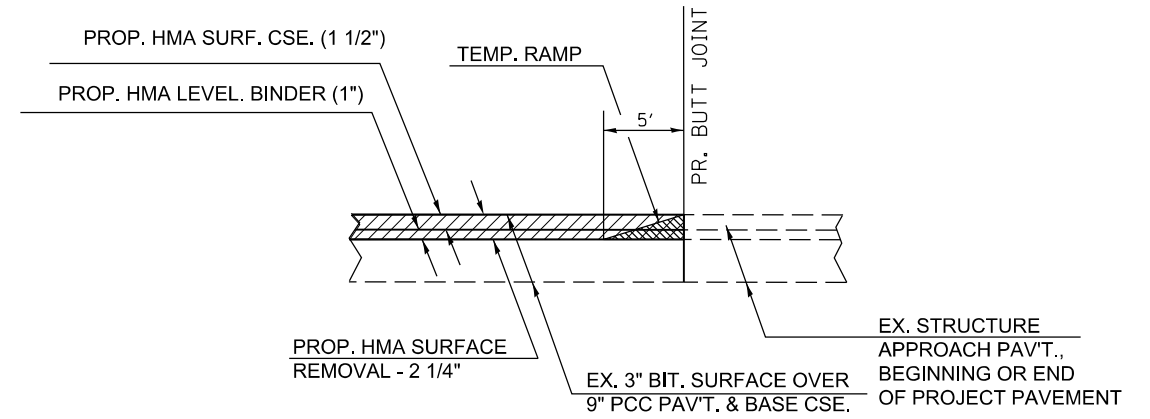
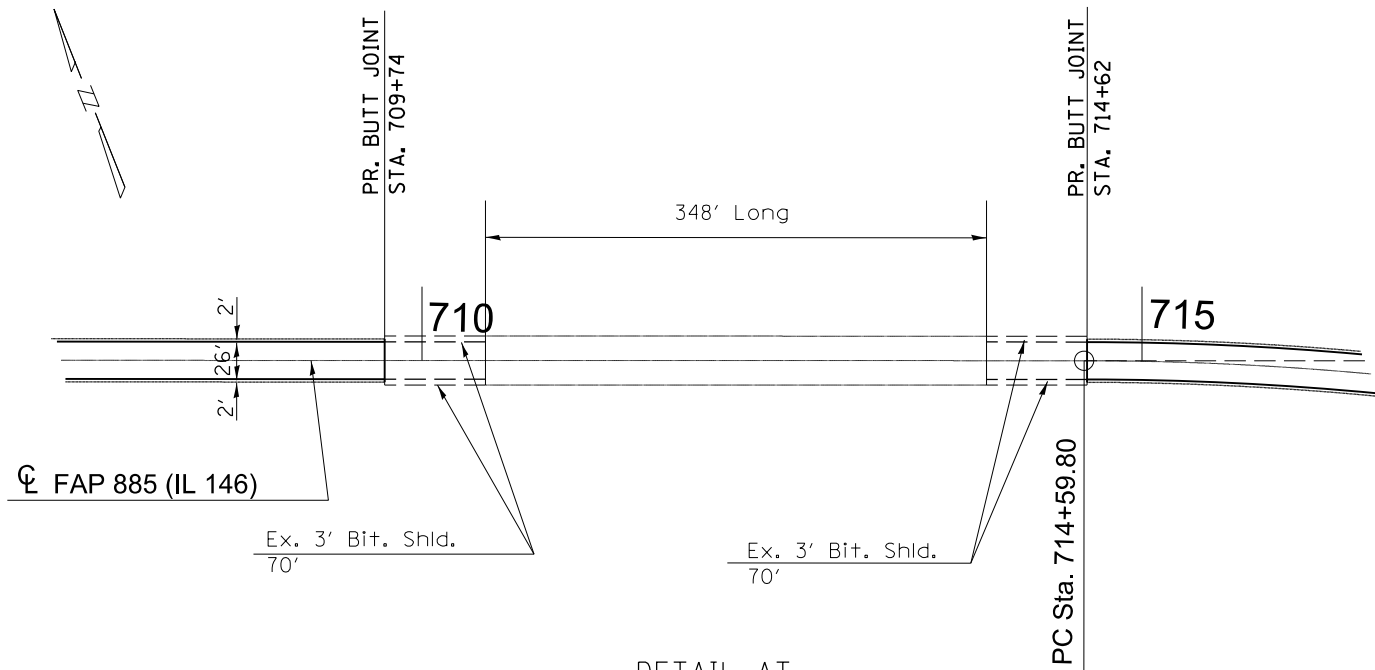


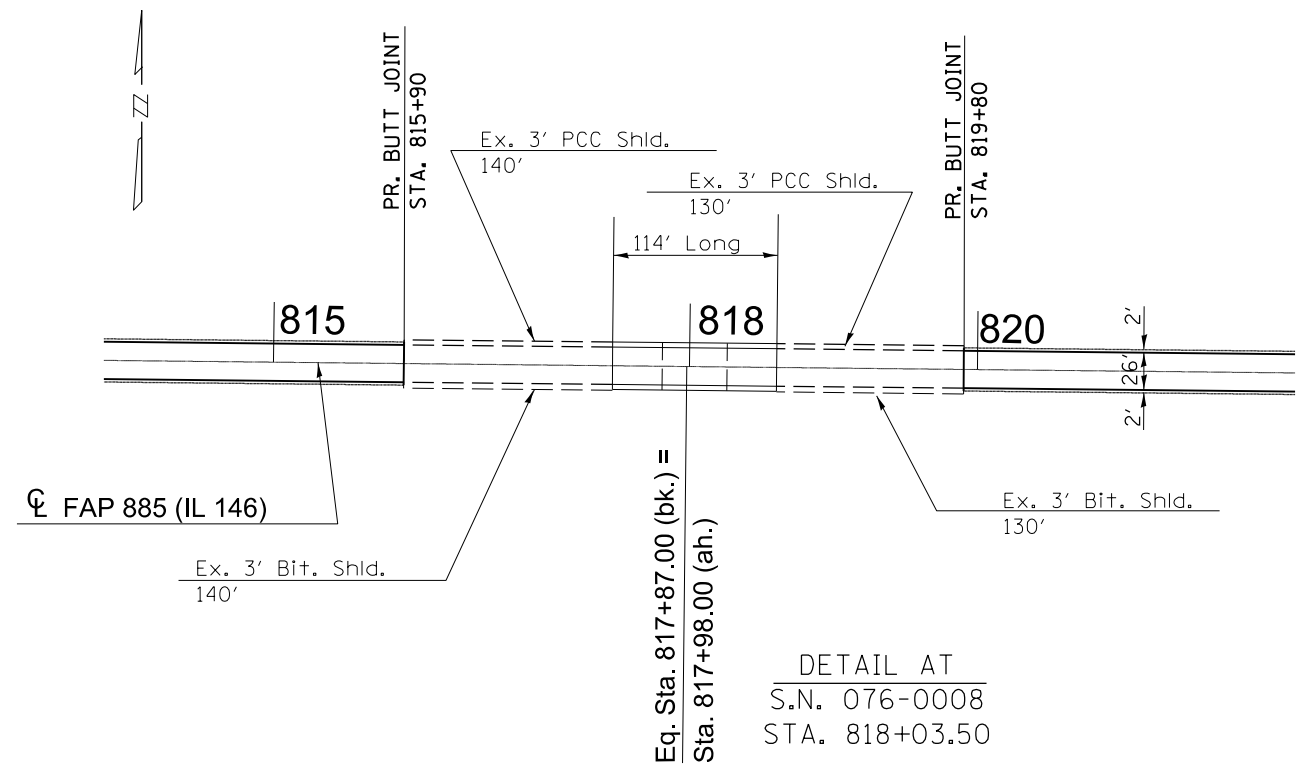
DETAIL AT
S.N. 076-0006
STA. 671+76



DETAIL FOR BUTT JOINTS
(SEE SPECIAL PROVISIONS
FOR NOTE)



DETAIL AT
S.N. 076-0007
STA. 712+18.3



DETAIL AT
S.N. 076-0008
STA. 818+03.50

FILE NAME =	USER NAME = mccordkr	DESIGNED -	REVISED -
ei:\pw\work\p10dot\mccordkr\0301510\78306-sht-pln.dgn		DRAWN -	REVISED -
Default	PLOT SCALE = 389.7434' / in.	CHECKED -	REVISED -
	PLOT DATE = 6/12/2014	DATE -	REVISED -

STATE OF ILLINOIS
DEPARTMENT OF TRANSPORTATION

DETAILS: BUTT JOINTS AT STRUCTURES,
BEGINNING AND END OF PROJECT

SCALE: SHEET OF SHEETS STA. TO STA.

F.A.P. RTE.	SECTION	COUNTY	TOTAL SHEETS	SHEET NO.
885	(111.112)R5-2	POPE	23	19
CONTRACT NO. 78306				
ILLINOIS FED. AID PROJECT				