

09-16-2016 LETTING ITEM 054

STATE OF ILLINOIS  
 DEPARTMENT OF TRANSPORTATION  
 DIVISION OF HIGHWAYS  
**PROPOSED**  
**CONTRACT MAINTENANCE**

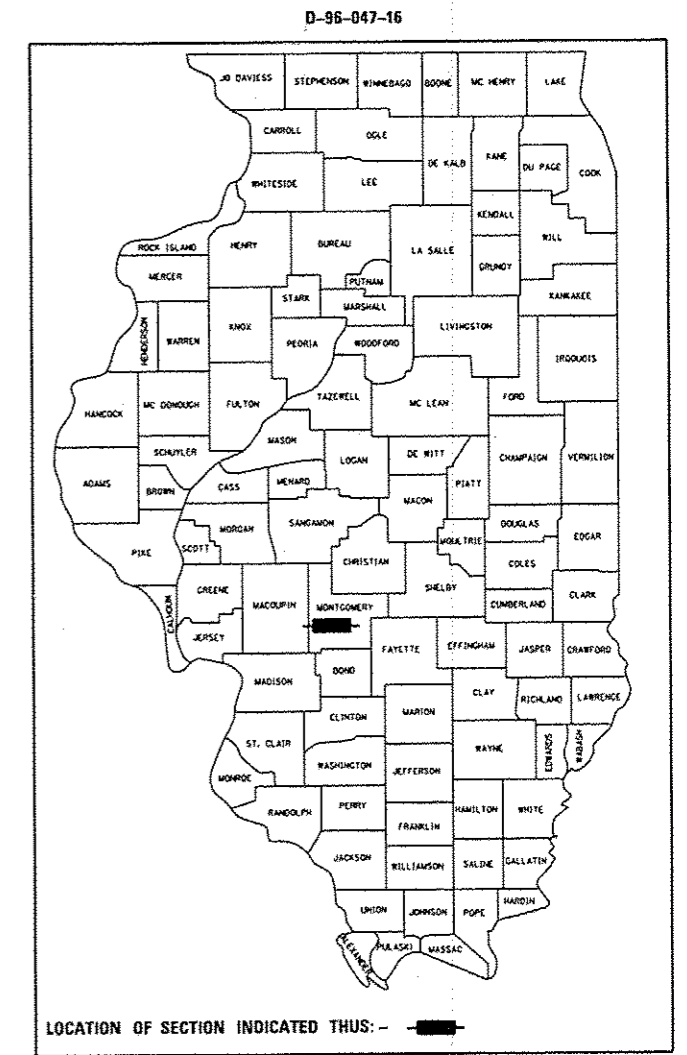
FOR INDEX OF SHEETS, SEE SHEET NO. 2

F.A.P. ROUTE 325 (IL 16)  
SECTION (21) BJR, B-R-2, J-1

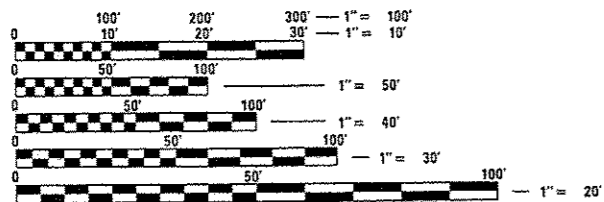
BRIDGE DECK OVERLAY  
MONTGOMERY

C-96-047-16

F.A.P. RTE.	SECTION	COUNTY	TOTAL SHEETS	SHEET NO.
325	(21) BJR, B-R-2, J-1	MONTGOMERY ILLINOIS	13	1
CONTRACT NO. 72J10				

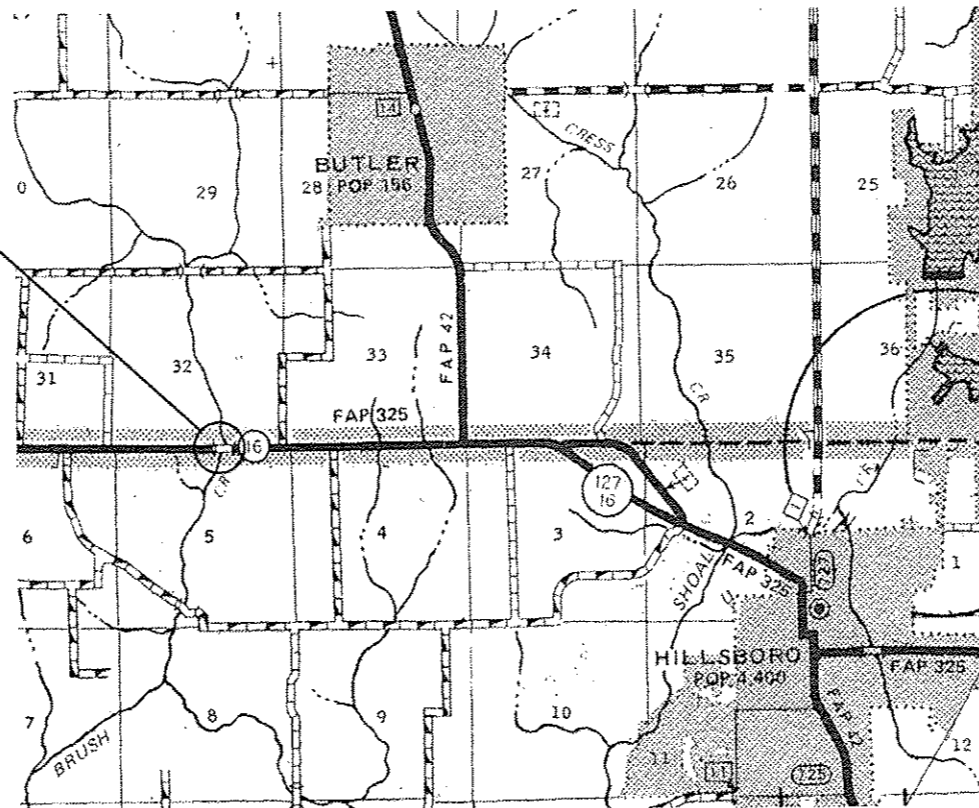


PROJECT LOCATION  
SN 068-0008  
IL 16 OVER BRUSH CREEK  
1.35 MI WEST OF IL 127



FULL SIZE PLANS HAVE BEEN PREPARED USING STANDARD ENGINEERING SCALES. REDUCED SIZED PLANS WILL NOT CONFORM TO STANDARD SCALES. IN MAKING MEASUREMENTS ON REDUCED PLANS, THE ABOVE SCALES MAY BE USED.

J.U.L.I.E.  
JOINT UTILITY LOCATION INFORMATION FOR EXCAVATION  
1-800-892-0123  
OR 811



STATE OF ILLINOIS  
 DEPARTMENT OF TRANSPORTATION  
 DIVISION OF HIGHWAYS

SUBMITTED 3/23 2016  
*[Signature]* REGION FOUR ENGINEER  
May 6 2016  
*M. Addis, P.E.* ENGINEER OF DESIGN AND ENVIRONMENT  
May 6 2016  
*Omer Osman, P.E.* DIRECTOR OF HIGHWAYS, CHIEF ENGINEER

BRIDGE MAINTENANCE ENGINEER: BRANDON DUDLEY (217) 785-9290  
BRIDGE INSPECTION ENGINEER: DAVE COPENBARGER (217) 785-5306

GROSS LENGTH = 575 FT. = 0.11 MILE  
NET LENGTH = 575 FT. = 0.11 MILE

CONTRACT NO. 72J10

PRINTED BY THE AUTHORITY  
OF THE STATE OF ILLINOIS

INDEX OF SHEETS

1	COVER SHEET
2	INDEX, STANDARDS, SIGNATURES, GENERAL NOTES, & SCHEDULES
3-4	SUMMARY OF QUANTITIES
5	TYPICAL SECTION
6	ROADWAY PLAN
7	STAGING PLAN
8	TRAFFIC CONTROL PLAN
9-13	SN 068-0008 BRIDGE PLANS

STANDARDS

000001-06
001001-02
001006
701001-02
701006-05
701201-04
701301-04
701306-03
701321-15
701326-04
701901-05
704001-08
782006

GENERAL NOTES:

BASE COURSE WIDENING SHALL BE COMPLETED PRIOR TO STAGING TRAFFIC.

AREAS OF DECK REPAIRS SHOWN ARE ESTIMATED. THE ENGINEER SHALL SHOW ACTUAL LOCATIONS OF DECK REPAIRS ON AS-BUILT PLANS.

PAVING SCHEDULE				
STA	TO	STA	BIT MATL (PRIME CT) (POUND)	HMA SURF CSE ** (TON)
276+50.00	-	277+89.25	244	46
279+42.33	-	280+80.00	241	45
TOTALS			485	91

\*\* ADDITIONAL 40 TONS PROVIDED FOR DIP CORRECTIONS ON BRIDGE APPROACHES

PAVEMENT MARKING REMOVAL SCHEDULE					
STA	TO	STA	LOC.	LINE TYPE	PAVT MARK REM (SQ FT)
STAGE I					
274+65	-	276+75	℄	SOLID/SKIP	109
276+60	-	280+70	LT	SOLID	171
280+50	-	282+65	℄	DOUBLE	179
STAGE II					
276+60	-	277+89	RT	SOLID	54
279+42	-	280+70	RT	SOLID	53
TOTAL					566

SHOULDER IMPROVEMENT SCHEDULE						
STA	TO	STA	SIDE	BASE COURSE WIDENING 8" (SQ YD)	PAVED SHLDR REM (SQ YD)	AGG WEDGE SHLDR (TON)
275+85.00	-	276+50.00	RT	-	-	2.5
275+85.00	-	276+50.00	LT	-	-	2.5
276+50.00	-	277+89.25	RT	85.1	85.1	5.3
276+50.00	-	277+89.25	LT	85.1	85.1	5.3
279+42.33	-	280+80.00	RT	84.1	84.1	5.2
279+42.33	-	280+80.00	LT	84.1	84.1	5.2
280+80.00	-	281+60.00	RT	-	-	3.0
280+80.00	-	281+60.00	LT	-	-	3.0
TOTALS				339	339	32.0

**STATE OF ILLINOIS  
DEPARTMENT OF TRANSPORTATION  
DIVISION OF HIGHWAYS  
DISTRICT 6**

---

EXAMINED March 17<sup>th</sup> 20 16  
*John W. Wynn*  
ENGINEER OF OPERATIONS

---

EXAMINED March 17 20 16  
*Don Anderson*  
ENGINEER OF PROJECT IMPLEMENTATION

---

EXAMINED March 18 20 16  
*Jeff P. M...*  
ENGINEER OF PROGRAM DEVELOPMENT

MIXTURE USE(S)	HMA BASE CSE WIDENING *	HMA SURFACE CSE
AC/PG	PG 64-22	PG 64-22
DESIGN AIR VOIDS	4.0% @ N50	4.0% @ N50
MIX COMPOSITION (GRADATION MIXTURE)	IL 19.0	IL 9.5
FRICTION AGGREGATE	N/A	MIX "D"
QUALITY MANAGEMENT	QC/QA	QC/QA
SUBLOT SIZE	N/A	N/A

\* BASE COURSE PAY ITEM ALLOWS FOR HMA OR PCC USE.

GUARDRAIL SCHEDULE								
STA	TO	STA	LOC.	GUARDRAIL REMOVAL (FOOT)	SPBGR, TY A 6' POSTS (FOOT)	TRAF. BARR. TERM. TY 1 SPC (EACH)	TRAF. BARR. TERM. TY 6 (EACH)	TERM. MARKER DIRECT APPLIED (EACH)
275+86.75	-	277+76.75	RT	190	100	1	1	1
275+86.75	-	277+76.75	LT	190	100	1	1	1
279+54.83	-	281+44.83	RT	190	100	1	1	1
279+54.83	-	281+44.83	LT	190	100	1	1	1
TOTALS				760	400	4	4	4

0-01623-6002

100% STATE

BRIDGE  
0014  
RURAL

CODE NO.	ITEM	UNIT	TOTAL QUANTITY	
35650300	BASE COURSE WIDENING 8"	SO YD	339	339
40600275	BITUMINOUS MATERIALS (PRIME COAT)	POUND	485	485
40600982	HOT-MIX ASPHALT SURFACE REMOVAL - BUTT JOINT	SO YD	400	400
40600990	TEMPORARY RAMP	SO YD	80	80
40603335	HOT-MIX ASPHALT SURFACE COURSE, MIX "D", N50	TON	131	131
44004250	PAVED SHOULDER REMOVAL	SO YD	339	339
48102100	AGGREGATE WEDGE SHOULDER, TYPE B	TON	32	32
50102400	CONCRETE REMOVAL	CU YD	3.7	3.7
50300255	CONCRETE SUPERSTRUCTURE	CU YD	4.3	4.3
50300260	BRIDGE DECK GROOVING	SO YD	510	510
50300300	PROTECTIVE COAT	SO YD	17	17
50800205	REINFORCEMENT BARS, EPOXY COATED	POUND	540	540
50800515	BAR SPLICERS	EACH	8	8
52000110	PREFORMED JOINT STRIP SEAL	FOOT	78	78

0-01623-6002

100% STATE

BRIDGE  
0014  
RURAL

CODE NO.	ITEM	UNIT	TOTAL QUANTITY	
* 63000001	STEEL PLATE BEAM GUARDRAIL, TYPE A, 6 FOOT POSTS	FOOT	400	400
* 63100085	TRAFFIC BARRIER TERMINAL, TYPE 6	EACH	4	4
* 63100167	TRAFFIC BARRIER TERMINAL, TYPE 1 (SPECIAL) TANGENT	EACH	4	4
63200310	GUARDRAIL REMOVAL	FOOT	760	760
67100100	MOBILIZATION	L SUM	1	1
70100405	TRAFFIC CONTROL AND PROTECTION, STANDARD 701321	EACH	1	1
70100450	TRAFFIC CONTROL AND PROTECTION, STANDARD 701201	L SUM	1	1
70100460	TRAFFIC CONTROL AND PROTECTION, STANDARD 701306	L SUM	1	1
70100500	TRAFFIC CONTROL AND PROTECTION, STANDARD 701326	L SUM	1	1
70106500	TEMPORARY BRIDGE TRAFFIC SIGNALS	EACH	1	1
70106700	TEMPORARY RUMBLE STRIPS	EACH	6	6
70106800	CHANGEABLE MESSAGE BOARD	CAL MO	4	4
70300100	SHORT TERM PAVEMENT MARKING	FOOT	80	80
70300150	SHORT TERM PAVEMENT MARKING REMOVAL	SO FT	27	27

\*Specialty Items

FILE NAME : D:\OPERATIONS\Bridges\Bridgplans.DAQ\72J10 - 0580098 ova-jay\plansheet.dgn	USER NAME : dudleyb	DESIGNED -	REVISED -	<b>STATE OF ILLINOIS DEPARTMENT OF TRANSPORTATION</b>	<b>SUMMARY OF QUANTITIES</b>	F.A.P. RTE. 325	SECTION (21) BJR, B-R-2, J-1	COUNTY MONTGOMERY	TOTAL SHEETS 13	SHEET NO. 3	
Default	PLOT SCALE * 100.0000 / in.	CHECKED -	REVISED -			SCALE:	SHEET -	OF -	SHEETS	STA.	TO STA.
	PLOT DATE * 3/24/2016	DATE -	REVISED -			CONTRACT NO. 72J10					
ILLINOIS FED. AID PROJECT											

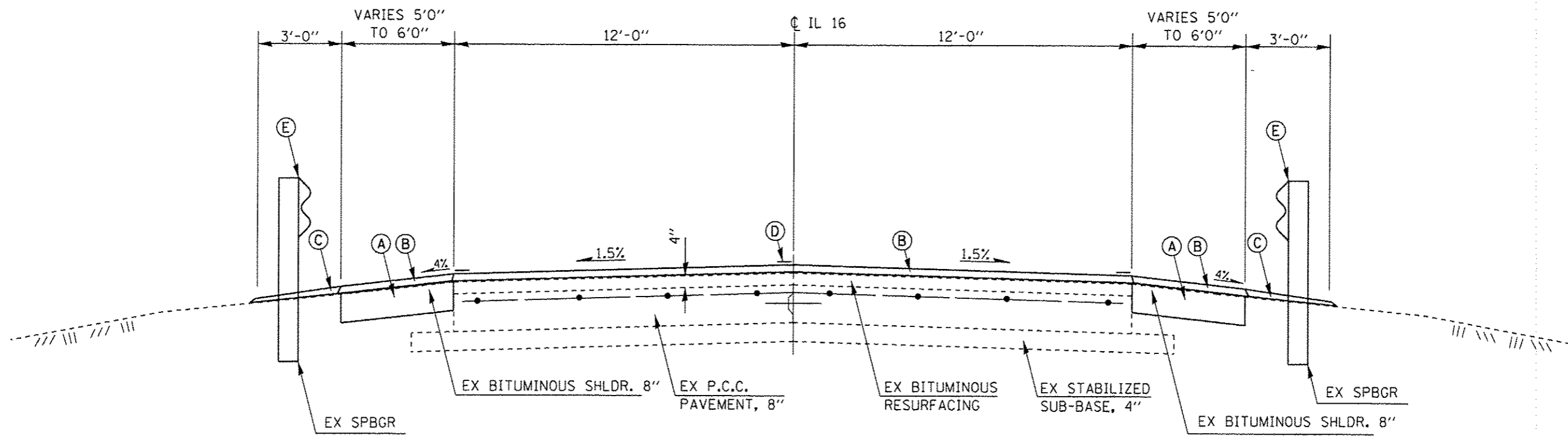
0-01623-6002

100% STATE

CODE NO.	ITEM	UNIT	TOTAL QUANTITY	BRIDGE
				0014 RURAL
70400100	TEMPORARY CONCRETE BARRIER	FOOT	390	390
70400200	RELOCATE TEMPORARY CONCRETE BARRIER	FOOT	390	390
70600260	IMPACT ATTENUATORS, TEMPORARY (FULLY REDIRECTIVE, NARROW), TEST LEVEL 3	EACH	2	2
70600332	IMPACT ATTENUATORS, RELOCATE (FULLY REDIRECTIVE, NARROW), TEST LEVEL 3	EACH	2	2
* 78001120	PAINT PAVEMENT MARKING - LINE 5"	FOOT	2750	2750
* 78200420	GUARDRAIL MARKERS, TYPE B	EACH	8	8
* 72501000	TERMINAL MARKER - DIRECT APPLIED	EACH	4	4
<del>78300100</del>	<del>PAVEMENT MARKING REMOVAL</del>	<del>50 FT</del>	<del>566</del>	<del>566</del>
78300200	RAISED REFLECTIVE PAVEMENT MARKER REMOVAL	EACH	4	4
X0327979	PAVEMENT MARKING REMOVAL - GRINDING	50 FT	506	506
X7200201	WIDTH RESTRICTION SIGNING	L. SUM	1	1
Z0012132	BRIDGE DECK SCARIFICATION, 1"	50 YD	539	539
Z0012164	BRIDGE DECK MICROSILICA CONCRETE OVERLAY, 2-1/2"	50 YD	539	539
Z0016001	DECK SLAB REPAIR (FULL DEPTH, TYPE I)	50 YD	5	5

\*Specialty Items

FILE NAME :	USER NAME : dudleybm	DESIGNED -	REVISED -	<b>STATE OF ILLINOIS DEPARTMENT OF TRANSPORTATION</b>	<b>SUMMARY OF QUANTITIES</b>				P.A.P. RTE.	SECTION	COUNTY	TOTAL SHEETS	SHEET NO.
D:\OPERATIONS\Bridges\BridgesPlans_CAD\72J10 - 0500000 overlay\plan\sheet.dgn		DRAWN -	REVISED -						325	(2) BJR, B-R-2, J-1	MONTGOMERY	13	4
Default	PLOT SCALE : 100.0000' / 1"	CHECKED -	REVISED -		SCALE:	SHEET	OF	SHEETS	STA.	TO STA.	ILLINOIS FED. AID PROJECT		
	PLOT DATE : 3/24/2016	DATE -	REVISED -		CONTRACT NO. 72J10								



STA. 276+50.00 TO STA. 277+69.25

BRIDGE APPROACH PAVEMENT:  
 STA. 277+69.25 TO STA. 277+89.25

BRIDGE WORK:  
 STA. 277+89.25 TO STA. 279+42.33

BRIDGE APPROACH PAVEMENT:  
 STA. 279+42.33 TO STA. 279+62.33

STA. 279+32.33 TO STA. 280+80.00

PROPOSED LEGEND	
(A)	BASE COURSE WIDENING, 8"
(B)	HMA SURFACE SOURCE, 1-1/2"
(C)	AGGREGATE WEDGE SHOULDER - TYPE B
(D)	PAINT PAVEMENT MARKING LINE, 5"
(E)	STEEL PLATE BEAM GUARDRAIL - TYPE A

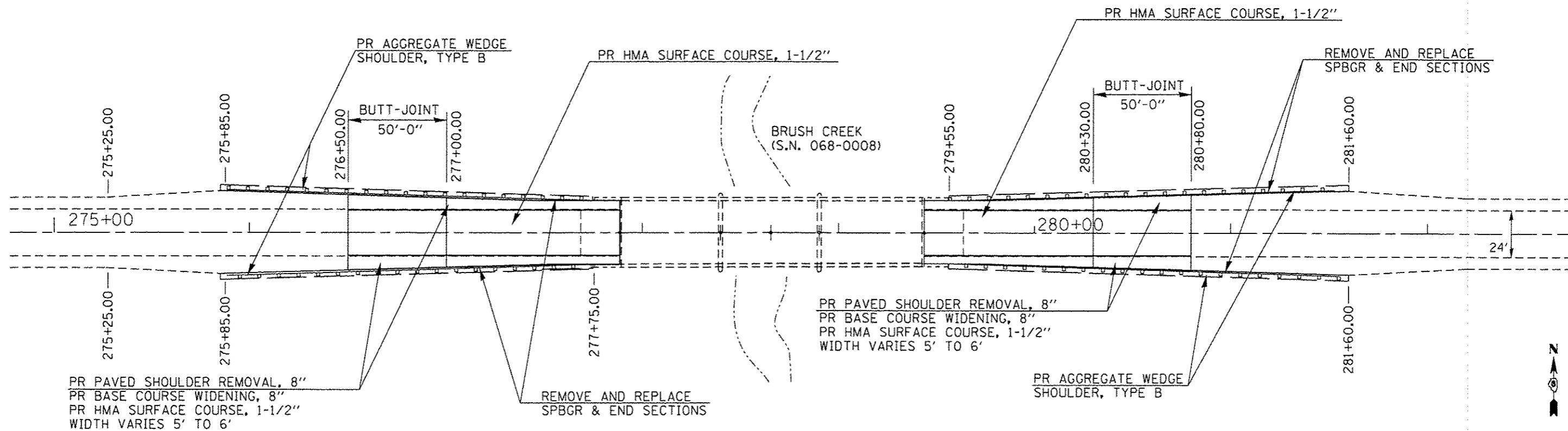
FILE NAME :	USER NAME :	DESIGNED :	REVISED :
0:\OPERATIONS\Bridges\Bridgplans\CAD\72J10 - 0688008 overlay\plansheet.dgn	dudleyjm	-	-
DRAWN :	CHECKED :	DATE :	REVISED :
-	-	-	-
PLOT SCALE = 100.0000' / in.	PLOT DATE = 3/24/2016		

STATE OF ILLINOIS  
 DEPARTMENT OF TRANSPORTATION

TYPICAL CROSS SECTION

SCALE: SHEET - OF - SHEETS STA. TO STA.

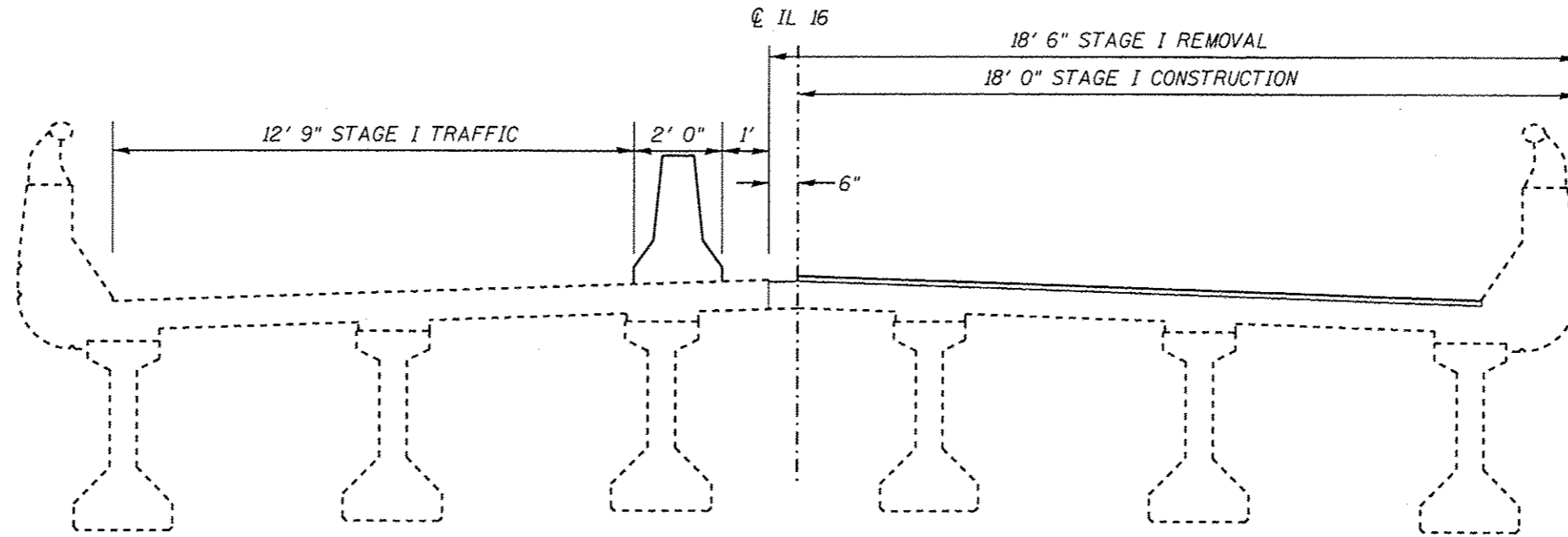
F.A.P. RTE.	SECTION	COUNTY	TOTAL SHEETS	SHEET NO.
325	(21) BJR, B-R-2, J-1	MONTGOMERY	13	5
CONTRACT NO. 72J10				
ILLINOIS FED. AID PROJECT				



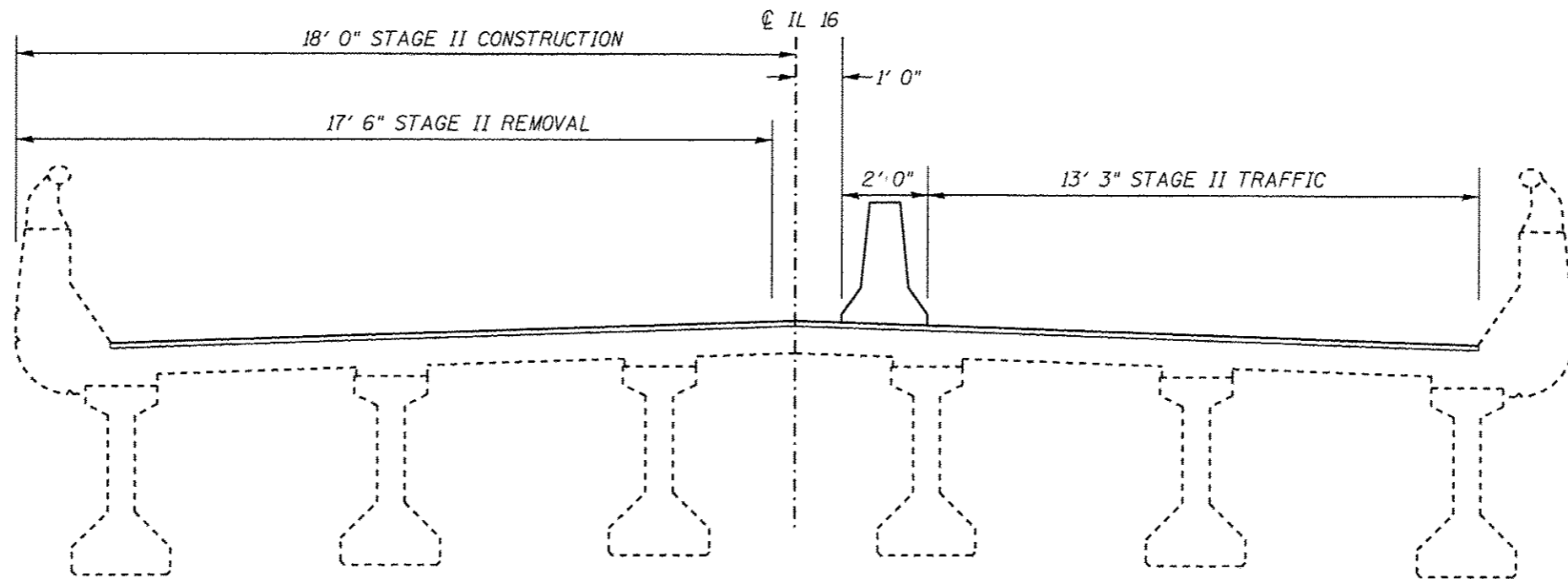
**ROADWAY IMPROVEMENT PLAN**



FILE NAME : D:\OPERATIONS\Bridges\Bridgplans.CAD\72	USER NAME = dudleybm	DESIGNED -	REVISED -	<b>STATE OF ILLINOIS</b> <b>DEPARTMENT OF TRANSPORTATION</b>	<b>ROADWAY PLAN</b>	F.A.P. RTE.	SECTION	COUNTY	TOTAL SHEETS	SHEET NO.
	0680009 overlay\plansheet.dgn	DRAWN -	REVISED -			325	(21) BJR, B-R-2, J-1	MONTGOMERY	13	6
	PLOT SCALE = 1/8" = 100.0000' / 1"	CHECKED -	REVISED -			CONTRACT NO. 72J10				
	PLOT DATE = 3/24/2016	DATE -	REVISED -			ILLINOIS FED. AID PROJECT				
Default				SCALE:	SHEET - OF - SHEETS	STA.	TO STA.			



STAGE I CROSS SECTION (LOOKING EAST)



STAGE II CROSS SECTION (LOOKING EAST)

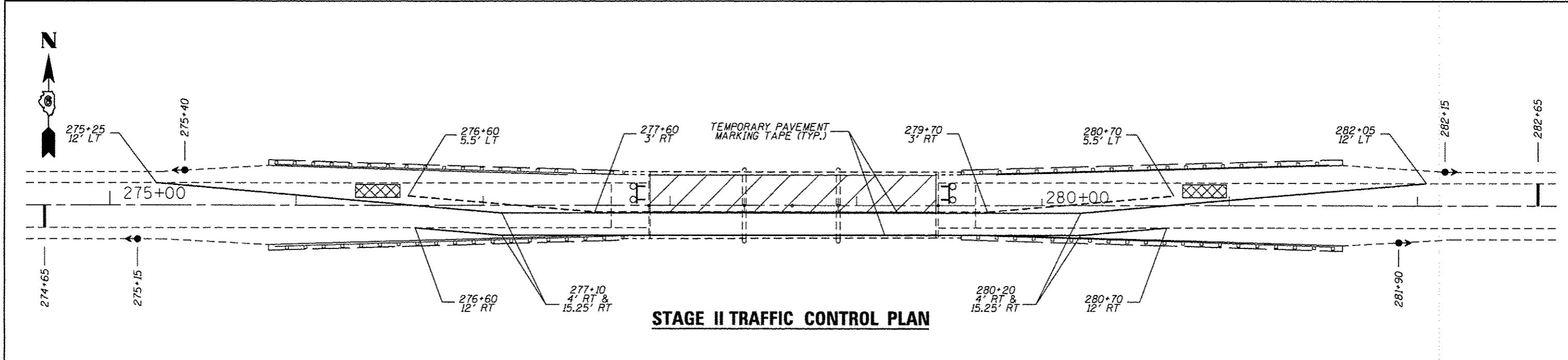
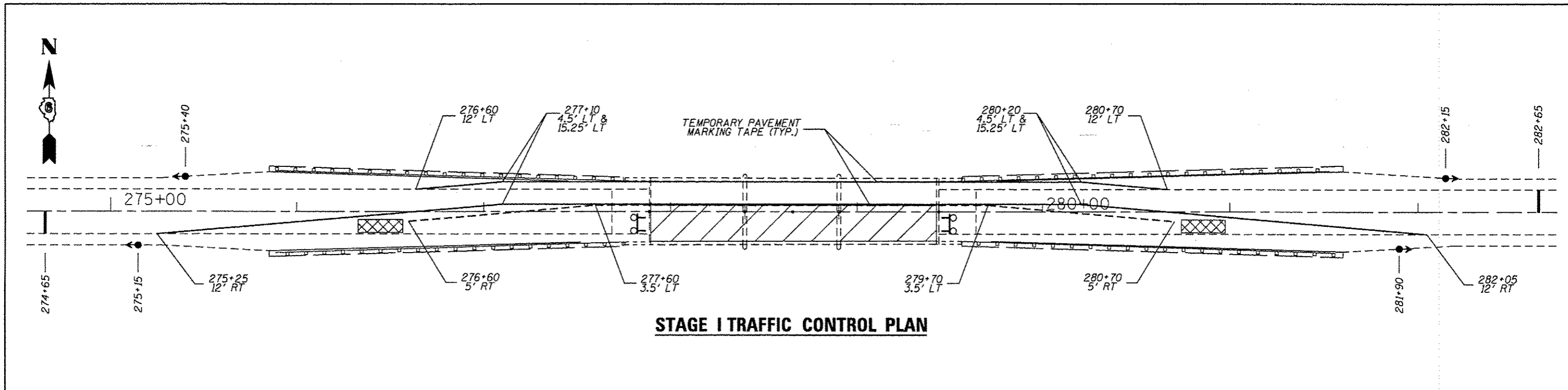
FILE NAME :	USER NAME :	DESIGNED -	REVISED -
D:\OPERATIONS\Bridges\Bridgplans.CAD\72J10 - 0580008 overlay\plansheet.dgn	dudleygm	DRAWN -	REVISED -
Default	PLOT SCALE = 100.0000 1 / in.	CHECKED -	REVISED -
	PLOT DATE = 3/24/2016	DATE -	REVISED -

STATE OF ILLINOIS  
DEPARTMENT OF TRANSPORTATION

STAGING PLAN

SCALE: SHEET - OF - SHEETS STA. TO STA.

F.A.P. RTE.	SECTION	COUNTY	TOTAL SHEETS	SHEET NO.
325	(2) BJR, B-R-2, J-1	MONTGOMERY	13	7
CONTRACT NO. 72J10				
ILLINOIS FED. AID PROJECT				



**SYMBOLS**

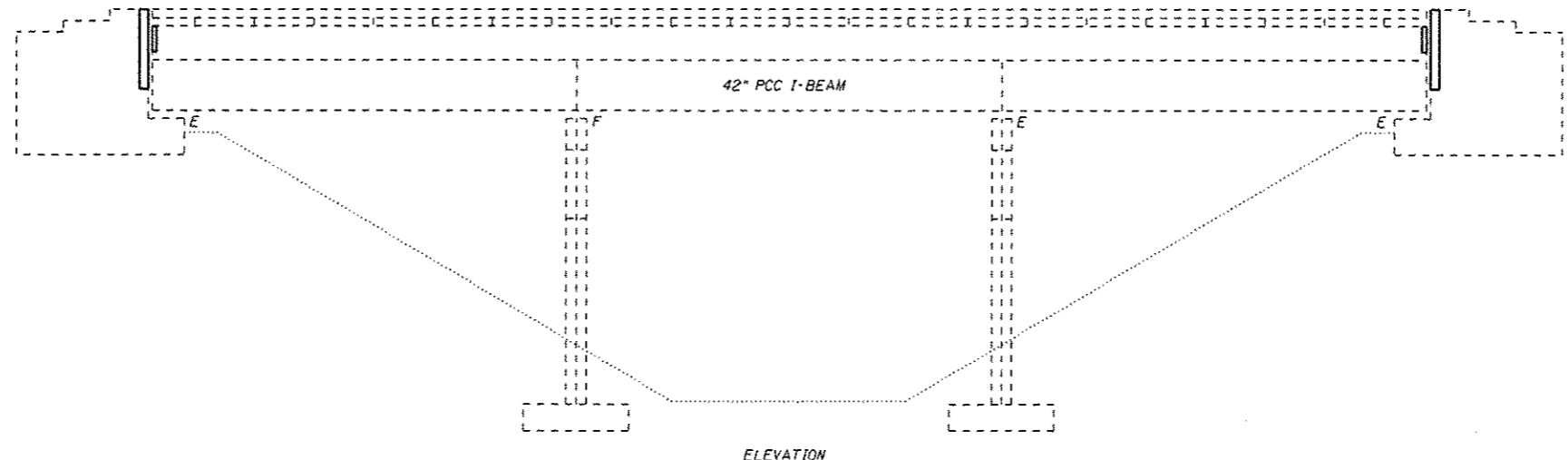
- WORK AREA
- TEMPORARY CONCRETE BARRIER
- IMPACT ATTENUATOR
- TRAFFIC SIGNAL
- TYPE III BARRICADE WITH FLASHING LIGHTS

**TRAFFIC CONTROL NOTES:**

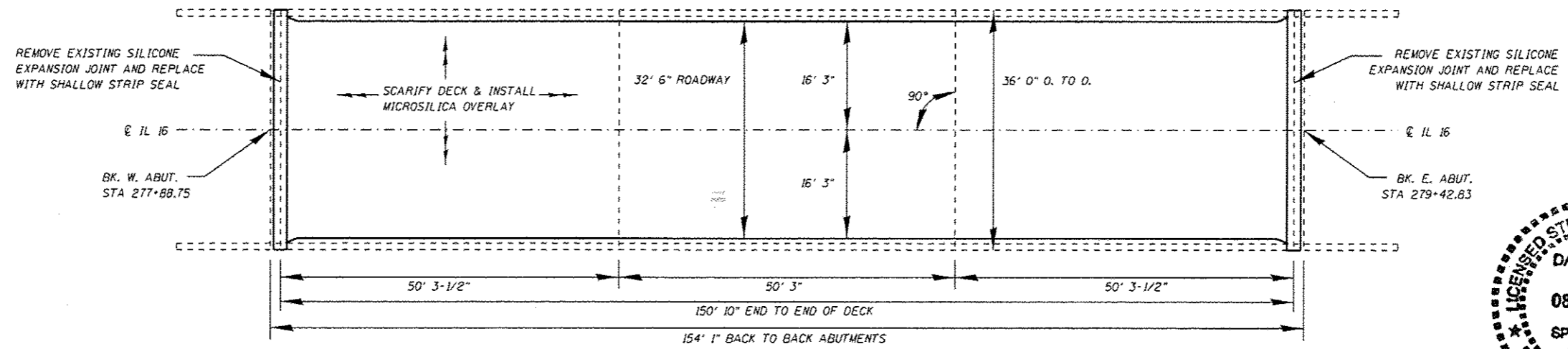
1. TRAFFIC CONTROL DEVICES NOT SHOWN IN THIS DETAIL SHALL BE PER STANDARDS 701321. DEVICES AND TEMPORARY PAVEMENT MARKINGS SHOWN IN THIS DETAIL SHALL BE INCLUDED IN THE COST OF TRAFFIC CONTROL AND PROTECTION, STANDARD 701321. IMPACT ATTENUATORS, TEMPORARY RUMBLE STRIPS, AND TEMPORARY CONCRETE BARRIER SHALL BE PAID SEPARATELY.
2. TEMPORARY CONCRETE BARRIER OFFSETS GIVEN IN THIS DETAIL REFER TO THE EDGE OF THE BARRIER NEAREST TO LIVE TRAFFIC.

FILE NAME =	USER NAME = dudleygm	DESIGNED -	REVISED -	<b>STATE OF ILLINOIS DEPARTMENT OF TRANSPORTATION</b>	<b>TRAFFIC CONTROL PLAN</b>	F.A.P. RTE.	SECTION	COUNTY	TOTAL SHEETS	SHEET NO.		
D:\OPERATIONS\Bridges\B-ridgeplans\CAD\72J10 - 0680000 overlay\plansheet.dgn						DRAWN -	REVISED -	325	(21) BJR, B-R-2, J-1	MONTGOMERY	13	8
Default						CHECKED -	REVISED -	CONTRACT NO. 72J10				
PLOT SCALE = 100.0000' / in.						DATE -	REVISED -	ILLINOIS FED. AID PROJECT				
PLOT DATE = 3/24/2016						SCALE:		SHEET - OF - SHEETS		STA. TO STA.		

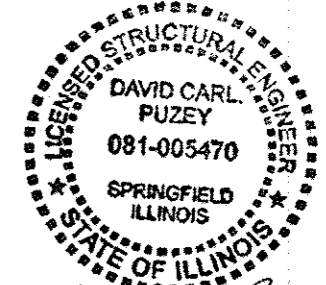




ELEVATION



PLAN



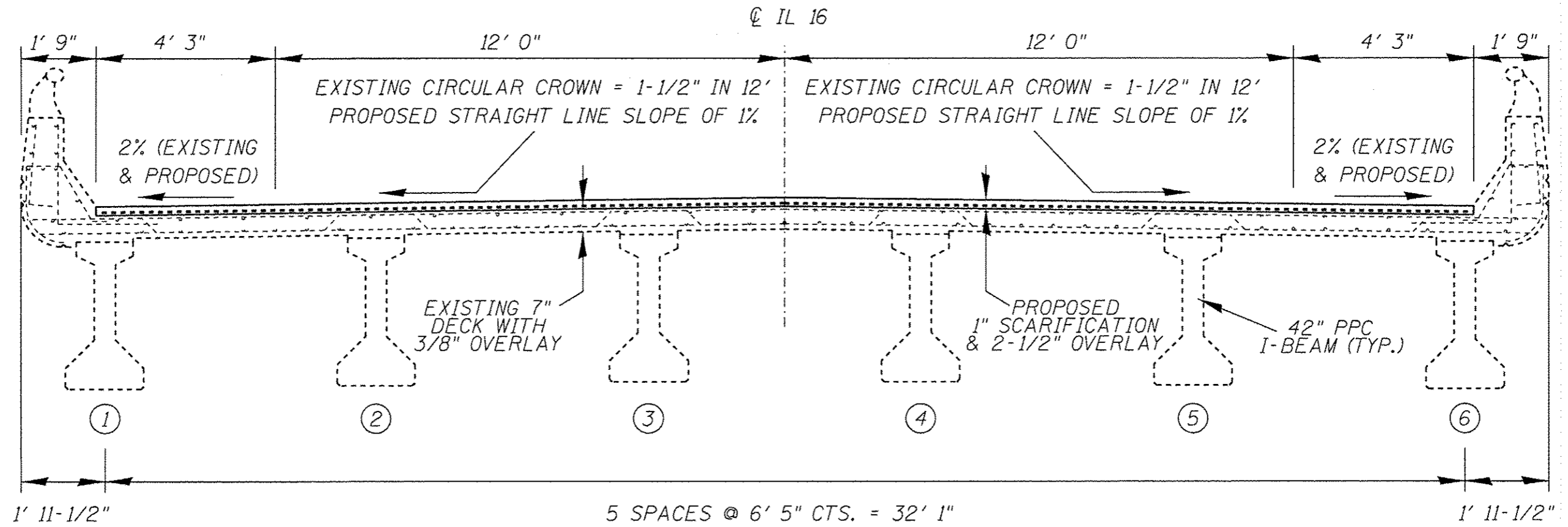
*David Carl Puzey* 5/3/16  
 Expires 11/30/16

GENERAL NOTES:

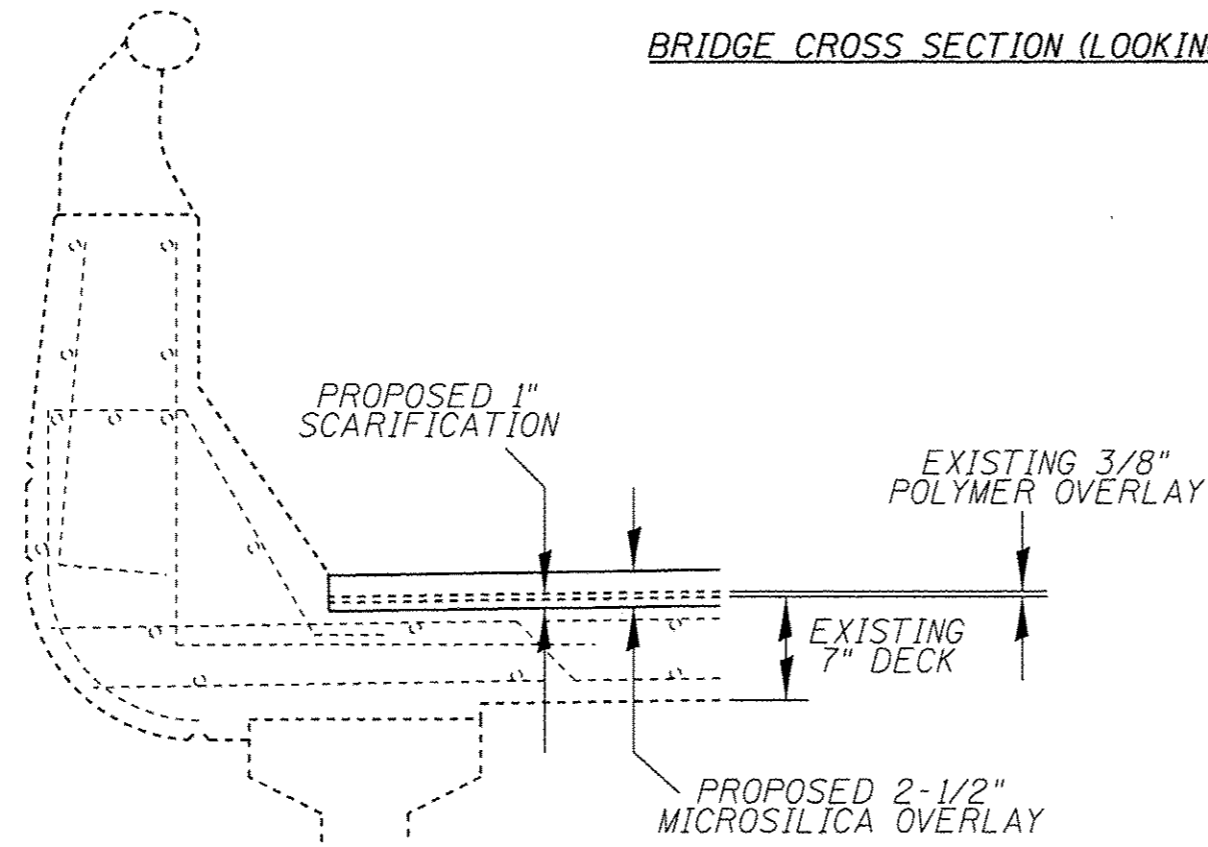
- ALL STRUCTURAL STEEL SHALL BE AASHTO M-270 GRADE 36, UNLESS OTHERWISE NOTED.
- REINFORCEMENT BARS DESIGNATED (E) SHALL BE EPOXY COATED.
- PRIOR TO POURING THE NEW CONCRETE DECK, ALL HEAVY OR LOOSE MILL SCALE AND OTHER LOOSE OR POTENTIALLY DETRIMENTAL FOREIGN MATERIAL SHALL BE REMOVED FROM THE SURFACES IN CONTACT WITH CONCRETE. TIGHTLY ADHERED PAINT MAY REMAIN UNLESS OTHERWISE NOTED. REMOVAL SHALL BE ACCOMPLISHED BY METHODS THAT WILL NOT DAMAGE THE STEEL AND THE COST WILL BE INCLUDED IN CONCRETE REMOVAL.
- PLAN DIMENSIONS AND DETAILS RELATIVE TO EXISTING PLANS ARE SUBJECT TO NOMINAL CONSTRUCTION VARIATIONS. THE CONTRACTOR SHALL FIELD VERIFY EXISTING DIMENSIONS AND DETAILS AFFECTING NEW CONSTRUCTION AND MAKE NECESSARY APPROVED ADJUSTMENTS PRIOR TO CONSTRUCTION OR ORDERING OF MATERIALS. SUCH VARIATIONS SHALL NOT BE CAUSE FOR ADDITIONAL COMPENSATION FOR A CHANGE IN THE SCOPE OF WORK, HOWEVER, THE CONTRACTOR WILL BE PAID FOR THE QUANTITY ACTUALLY FURNISHED AT THE UNIT PRICE BID FOR THE WORK.
- EXISTING REINFORCEMENT BARS EXTENDING INTO THE REMOVAL AREA SHALL BE CLEANED, STRAIGHTENED, AND INCORPORATED INTO THE NEW CONSTRUCTION. ANY REINFORCEMENT BARS THAT ARE DAMAGED DURING CONCRETE REMOVAL SHALL BE REPLACED WITH AN APPROVED BAR SPLICER OR ANCHORAGE SYSTEM. COST INCLUDED WITH CONCRETE REMOVAL.
- JOINT OPENINGS SHALL BE ADJUSTED ACCORDING TO ARTICLE 520.04 OF THE STANDARD SPECIFICATIONS WHEN THE DECK IS POURED AT AN AMBIENT TEMPERATURE OTHER THAN 50°F.
- NO FULL DEPTH DECK REPAIRS ARE ANTICIPATED. THE QUANTITY FOR DECK SLAB REPAIR (FULL DEPTH, TYPE 1) IS INCLUDED AS A PRECAUTION IN CASE HYDRO-SCARIFICATION REVEALS THE NEED FOR FULL DEPTH REPAIRS. THE ENGINEER SHALL SHOW ANY ACTUAL LOCATIONS OF FULL DEPTH REPAIRS ON AS-BUILT PLANS.
- THE ABUTMENT SURFACE IN THE AREAS OF EXPANSION JOINT REPLACEMENT SHALL HAVE A TINED FINISH AS PER ARTICLE 420.09(a)(1) OF THE STANDARD SPECIFICATIONS, COST INCLUDED WITH CONCRETE SUPERSTRUCTURE. THE DECK SURFACE IN THE AREAS OF EXPANSION JOINT REPLACEMENT SHALL BE GROOVED WITH THE DECK OVERLAY PER ARTICLE 503.16(a)(3) OF THE STANDARD SPECIFICATIONS AND SHALL BE PAID AT THE BID PRICE PER SQUARE YARD FOR "BRIDGE DECK GROOVING."
- PROTECTIVE COAT SHALL ONLY BE APPLIED TO THE DECK AND PARAPETS ADJACENT TO THE PROPOSED EXPANSION JOINTS AND NOT THE MICROSILICA OVERLAY.

TOTAL BILL OF MATERIAL (068-0008)

ITEM	UNIT	QUANTITY
Concrete Removal	Cu. Yd.	3.7
Concrete Superstructure	Cu. Yd.	4.3
Bridge Deck Grooving	Sq. Yd.	510
Reinforcement Bars, Epoxy Coated	Pound	540
Bar Splacers	Each	8
Preformed Joint Strip Seal	Foot	78
Bridge Deck Scarification, 1"	Sq. Yd.	539
Bridge Deck Microsilica Concrete Overlay, 2-1/2"	Sq. Yd.	539
Deck Slab Repair (Full Depth, Type 1)	Sq. Yd.	5
Protective Coat	Sq. Yd.	17

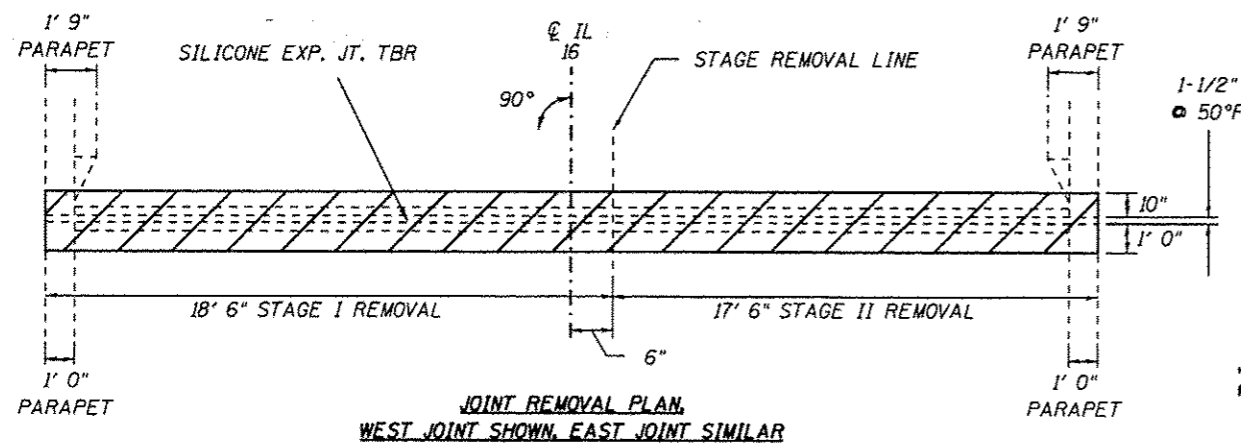


BRIDGE CROSS SECTION (LOOKING EAST)

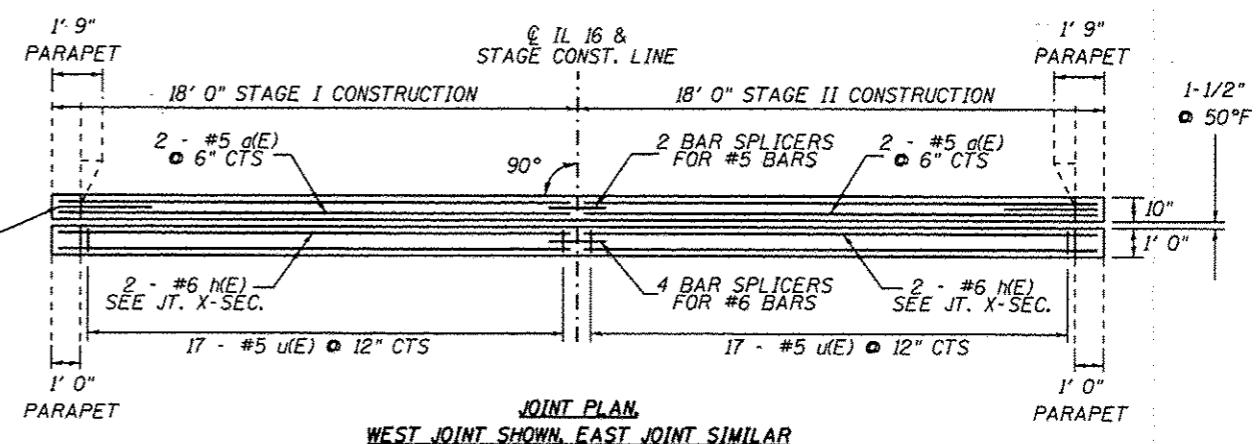


OVERLAY CROSS SECTION

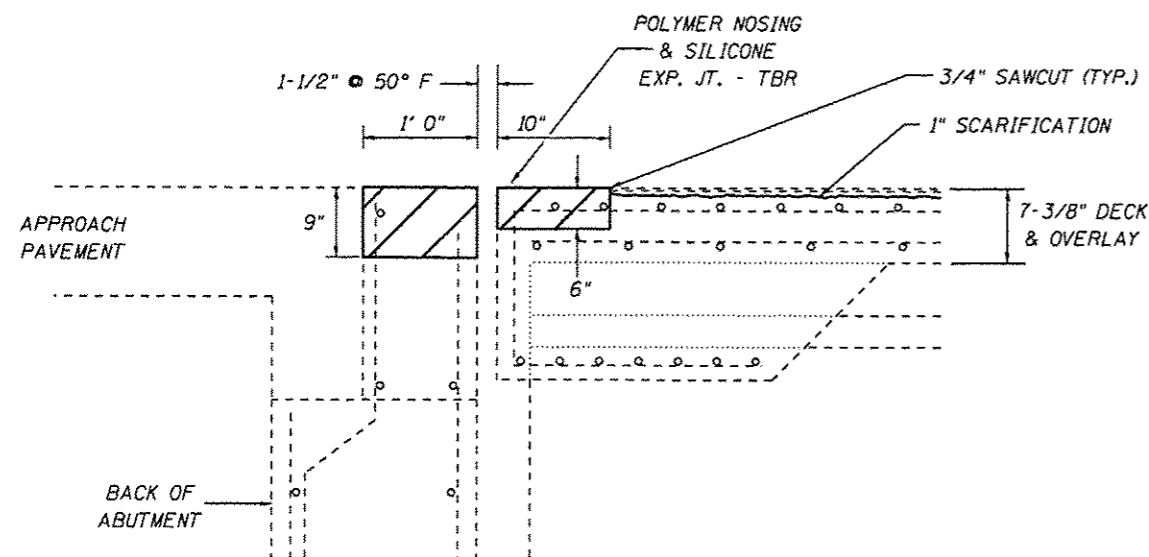
FILE NAME =	USER NAME = dudleygm	DESIGNED -	REVISED -	<b>STATE OF ILLINOIS DEPARTMENT OF TRANSPORTATION</b>	<b>BRIDGE DECK CROSS SECTION SN 068-0008</b>		F.A.P. RTE.	SECTION	COUNTY	TOTAL SHEETS	SHEET NO.
D:\OPERATIONS\Bridges\Bridgeplans\CAD\72J10 - 000000 overlay\plansheet.dgn	DRAWN -	REVISED -	325				(21) BJR, B-R-2, J-1	MONTGOMERY	13	10	
PLOT SCALE = 100.0000 / in.	CHECKED -	REVISED -	CONTRACT NO. 72J10								
Default	DATE -	REVISED -	SCALE:		SHEET 2	OF 5 SHEETS	STA.	TO STA.	ILLINOIS FED. AID PROJECT		



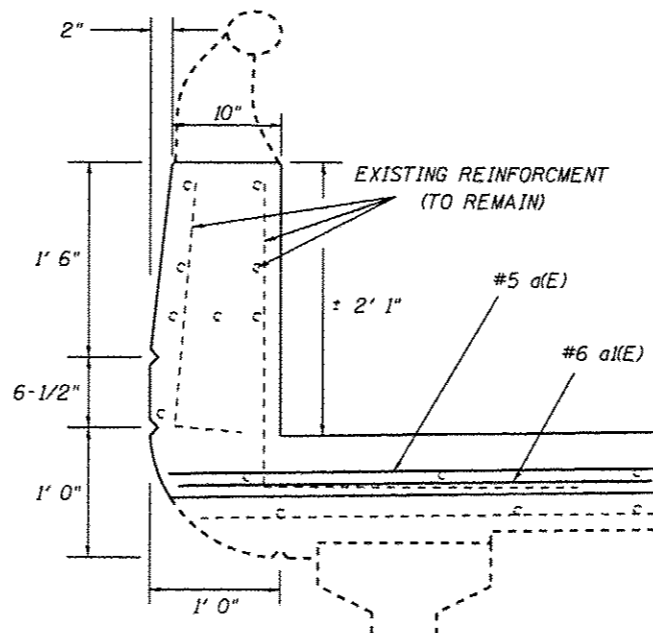
**JOINT REMOVAL PLAN**  
WEST JOINT SHOWN, EAST JOINT SIMILAR



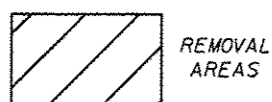
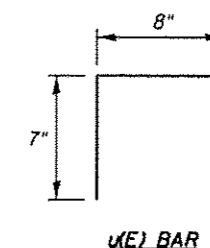
**JOINT PLAN**  
WEST JOINT SHOWN, EAST JOINT SIMILAR



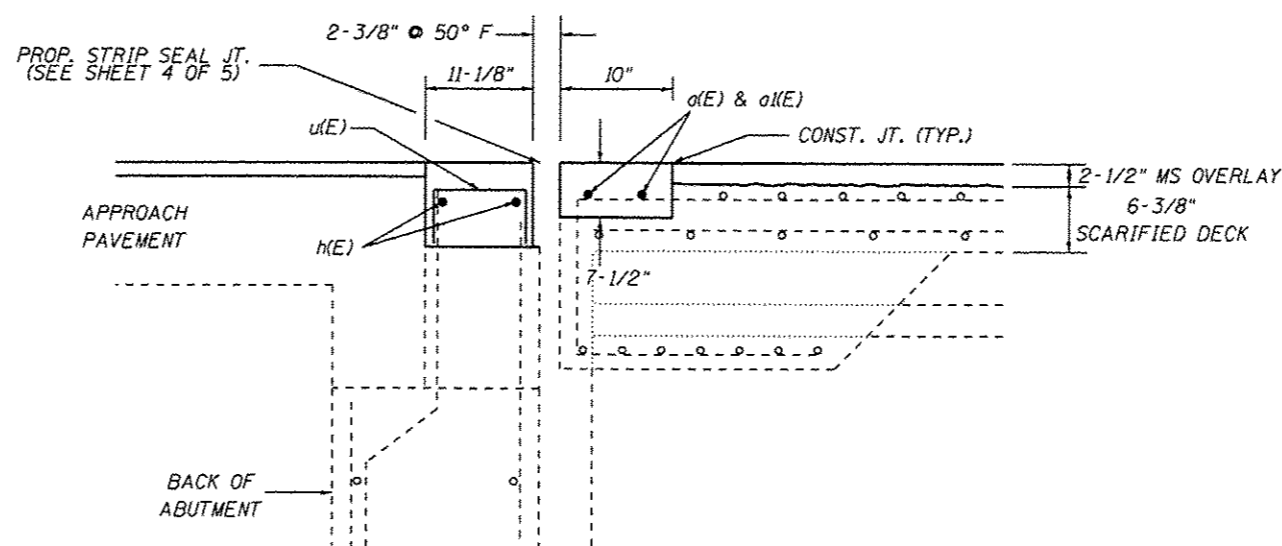
**JOINT REMOVAL CROSS SECTION - TYP.**



**PARAPET CROSS SECTION AT JOINT**

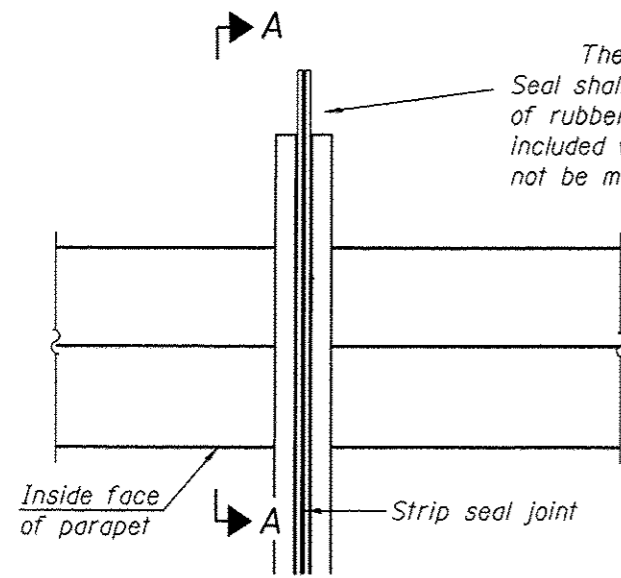


**NOTE:**  
ANY BRIDGE RAIL HARDWARE ENCOUNTERED IN THE REMOVAL AREAS SHALL BE LEFT IN PLACE AND RE-INCORPORATED INTO THE NEW CONCRETE.



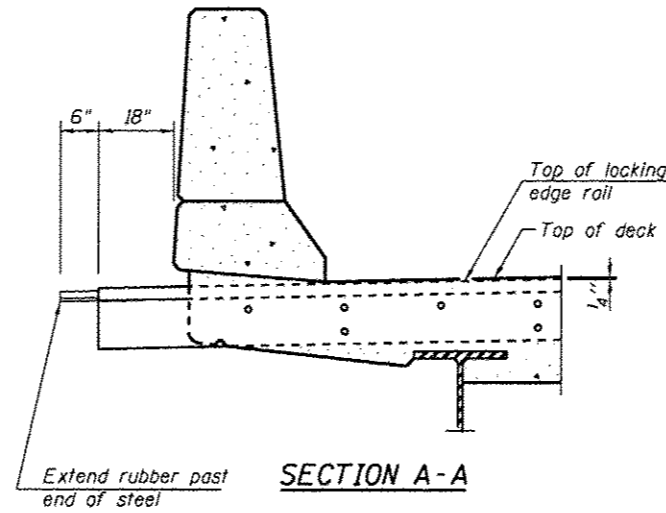
**JOINT CROSS SECTION - TYP.**

BILL OF MATERIAL - 2 JOINTS				
BAR	#	SIZE	LENGTH	SHAPE
a(E)	8	#5	17' 8"	—
a(E)	8	#6	4' 0"	—
h(E)	8	#6	17' 8"	—
u(E)	68	#5	1' 11"	U
REINFORCEMENT BARS (EPOXY COATED)		POUND	540	
CONC. SUPERSTRUCTURE		CU YD	4.3	
CONC. REMOVAL		CU YD	3.7	
BAR SPLICERS		EACH	8	



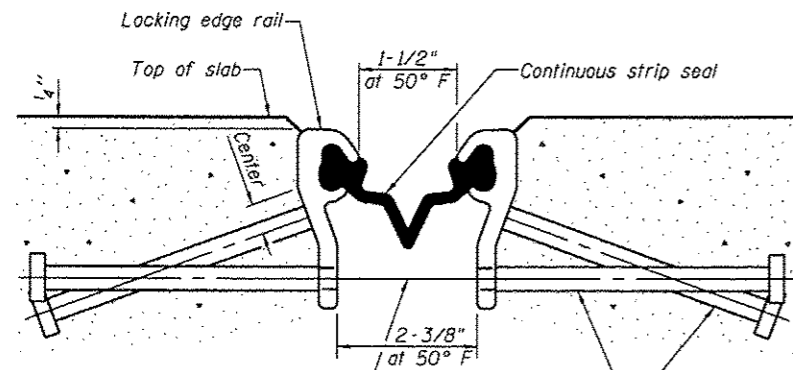
**PLAN THROUGH PARAPET**

The pay limits for Preformed Joint Strip Seal shall be to the end of the steel plate. The 6" of rubber extending past the end of steel shall be included with Preformed Joint Strip Seal and shall not be measured for payment.



**Notes:**

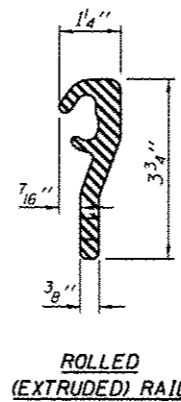
The strip seal shall be made continuous and shall have a minimum thickness of  $\frac{1}{4}$ ". The configuration of the strip seal shall match the configuration of the Locking Edge Rails.  
 The height and thickness of the Locking Edge Rails shown are minimum dimensions. The actual configuration of the Locking Edge Rails and matching strip seal may vary from manufacturer to manufacturer. Flanged edge rails will not be allowed.  
 The inside of the Locking Edge Rail groove shall be free of weld residue. Locking Edge Rails may be spliced at slope discontinuities and stage construction joints.  
 The manufacturer's recommended installation methods shall be followed. All steel components shall be galvanized after fabrication according to Article 520.03 of the Standard Specifications.  
 Maximum space between rail segments at stage lines shall be  $\frac{3}{16}$ ", sealed with a suitable sealant



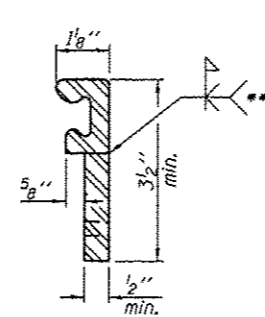
**SECTION THRU STRIP SEAL JOINT FOR OVERLAY OVER DECK BEAMS**

$\frac{7}{16}$ "  $\phi$  holes at 4'-0" cts. for  $\frac{3}{8}$ "  $\phi$  bolts. All bolts shall be burned, sawed, or chipped off flush with the plates after forms are removed, typ.

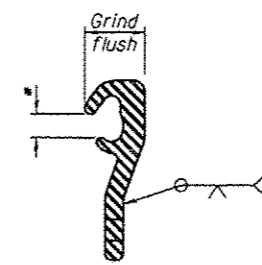
Place  $\frac{1}{2}$ "  $\phi$  x 6" granular or solid flux filled headed studs conforming to Article 1006.32 of the Std. Specs., automatically end welded at 1'-0" all. cts.



**ROLLED (EXTRUDED) RAIL**



**WELDED RAIL**



**LOCKING EDGE RAIL SPLICE**

Rolled rail shown, welded rail similar.

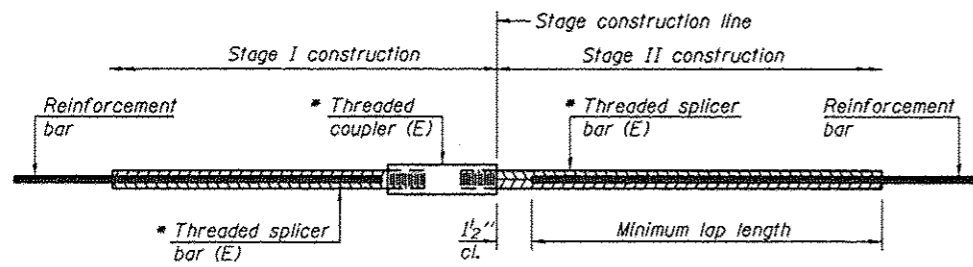
- \* Omit weld at seal opening.
- \*\* The minimum dimension shall be  $\frac{1}{2}$ " for installation purposes.
- \*\*\* Back gouge not required if complete joint penetration is verified by mock-up.

**BILL OF MATERIAL**

Item	Unit	Total
Preformed Joint Strip Seal	Foot	78

EJ-SSJ

FILE NAME =	USER NAME = dudleyjm	DESIGNED -	REVISED -	<b>STATE OF ILLINOIS DEPARTMENT OF TRANSPORTATION</b>	<b>PREFORMED JOINT STRIP SEAL SN 068-0008</b>	F.A.P. RTE.	SECTION	COUNTY	TOTAL SHEETS	SHEET NO.
D:\OPERATIONS\Bridges\Bridgplans.CAD\72J10 - 0680008 overlay\plansheet.dgn	DRAWN -	REVISED -	325			(2) BJR, B-R-2, J-1	MONTGOMERY	13	12	
PLOT SCALE = 100.0000 / in.	CHECKED -	REVISED -	CONTRACT NO. 72J10							
Default	PLOT DATE = 3/24/2016	DATE -	REVISED -			SCALE:	SHEET 4 OF 5 SHEETS	STA.	TO STA.	ILLINOIS FED. AID PROJECT

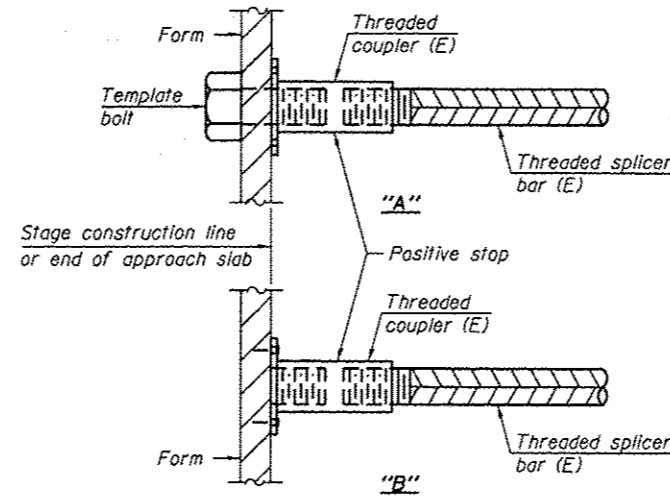


**STANDARD BAR SPLICER ASSEMBLY**

Threaded splicer bar length = min. lap length + 1/2" + thread length

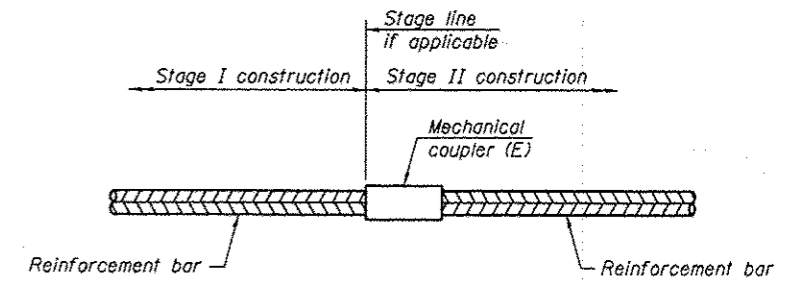
\* Epoxy not required on Bar Splicer Assembly components used in conjunction with black bars.

Location	Bar size	No. assemblies required	Minimum lap length
Abuts. (deck side)	#5	4	3' 6"
Abuts. (appr. side)	#6	4	4' 0"



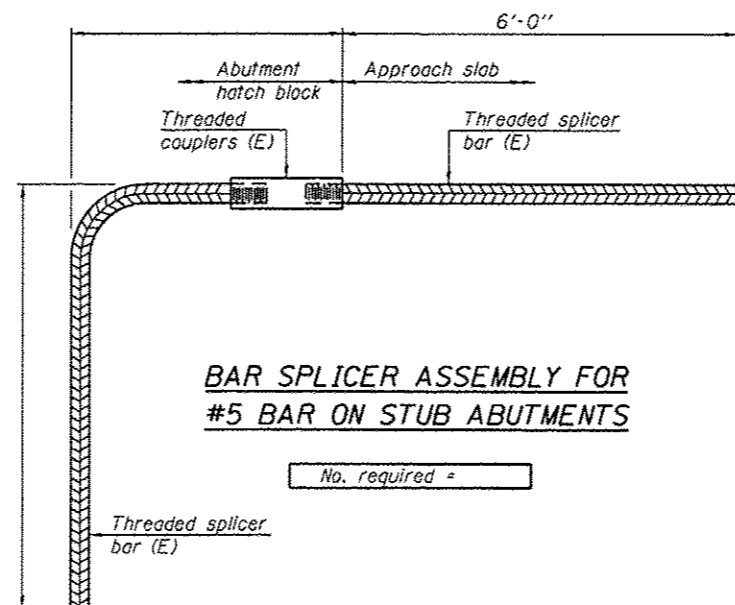
**INSTALLATION AND SETTING METHODS**

"A" : Set bar splicer assembly by means of a template bolt.  
 "B" : Set bar splicer assembly by nailing to wood forms or cementing to steel forms.  
 (E) : Indicates epoxy coating.



**STANDARD MECHANICAL SPLICER**

Location	Bar size	No. assemblies required



**BAR SPLICER ASSEMBLY FOR #5 BAR ON STUB ABUTMENTS**

No. required =

**NOTES**

Splicer bars shall be deformed with threaded ends and have a minimum 60 ksi yield strength.  
 All reinforcement shall be lapped and tied to the splicer bars.  
 Bar splicer assemblies shall be epoxy coated according to the requirements for reinforcement bars. See Section 508 of the Standard Specifications.  
 See approved list of bar splicer assemblies and mechanical splicers for alternatives.

BSD-1 6-8-15

FILE NAME : D:\OPERATIONS\Bridges\Bridgplans\CAD\72J10 - 0680008 overlay\plansheet.dgn	USER NAME : dudleygm	DESIGNED -	REVISED -	<b>STATE OF ILLINOIS DEPARTMENT OF TRANSPORTATION</b>	<b>BAR SPLICER DETAILS SN 068-0008</b>	F.A.P. RTE. 325	SECTION (21) BJR, B-R-2, J-1	COUNTY MONTGOMERY	TOTAL SHEETS 13	SHEET NO. 13	
Default	PLOT SCALE = 100.0000 / in.	DRAWN -	REVISED -			SCALE: SHEET 5 OF 5 SHEETS STA. TO STA.	CONTRACT NO. 72J10		ILLINOIS FED. AID PROJECT		
	PLOT DATE = 3/24/2016	CHECKED -	REVISED -								
		DATE -	REVISED -								