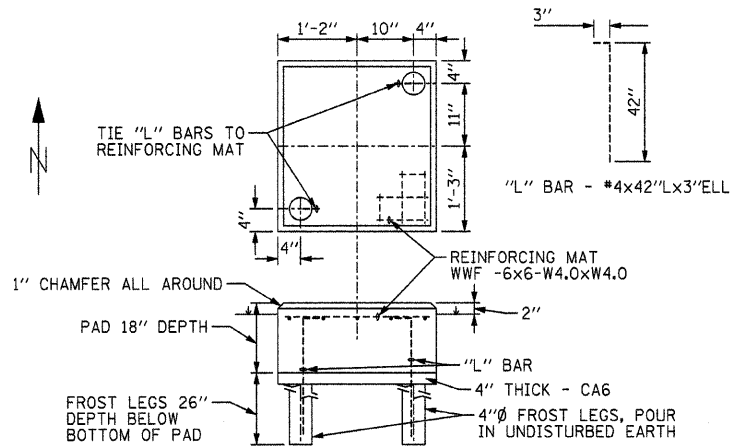
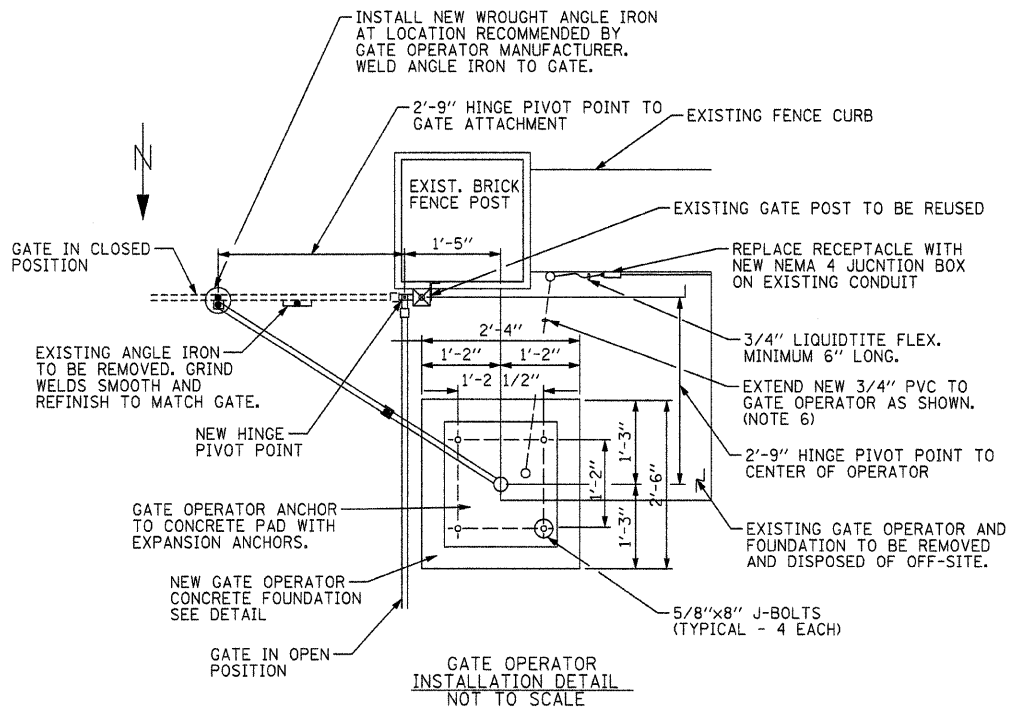


GATE OPERATOR CONDUIT INSTALLATION NOT TO SCALE



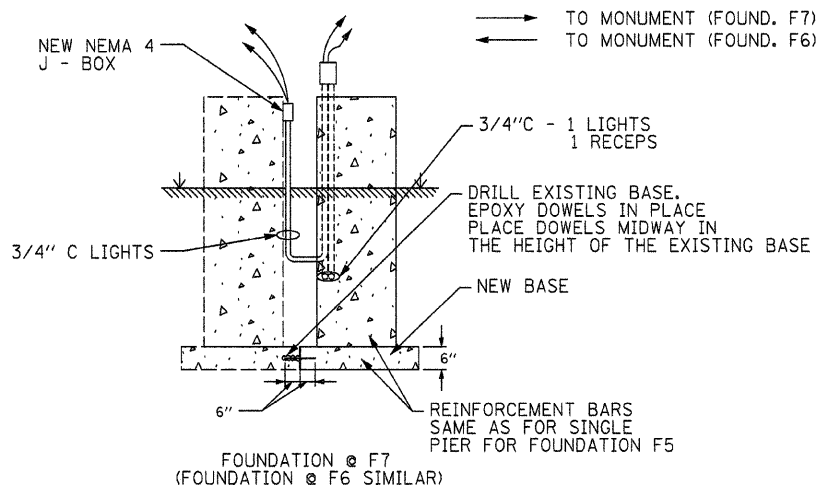
GATE OPERATOR FOUNDATION NOT TO SCALE



GATE OPERATOR INSTALLATION DETAIL NOT TO SCALE

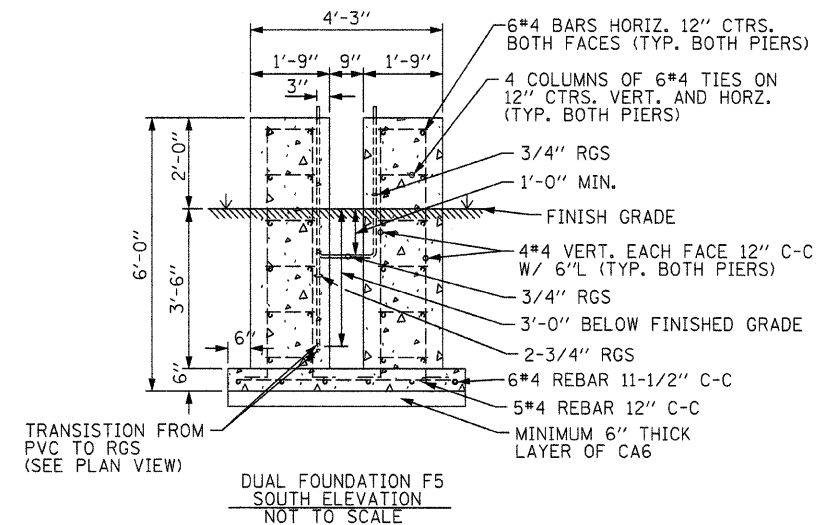
NOTES:

- GATE OPERATOR SHALL BE LINEAR CORPORATION, OR EQUAL, SWING GATE OPERATOR, MODEL SWC-111. OPERATOR SHALL HAVE 1 HP, SINGLE PHASE MOTOR AND OPERATE FROM 120V, 1 PH. POWER. GATE OPERATOR SHALL BE CAPABLE OF OPENING A MAXIMUM NINETEEN (19) FOOT LONG GATE WEIGHING 1000 POUNDS. UNIT SHALL BE CONTINUOUS DUTY RATED AND SHALL OPEN THE GATE FULLY IN 11-14 SECONDS.
- GATE OPERATOR SHALL HAVE EASILY ACCESSIBLE ADJUSTABLE CAM OPERATED LIMITS, A UL325/UL991 COMPLIANT 24 VDC CONTROL MODULE, EXTERNAL RESET BUTTON, POWER ON/OFF BUTTON, 115V ACCESSORY POWER OUTLET, INTEGRATED 3-BUTTON CONTROL STATION. CONTROLLER SHALL INCLUDE AN INTEGRATED RADIO RECEIVER, PLUG-IN LOOP DETECTOR CAPABILITY, AND SURGE PROTECTION.
- GATE OPERATOR SHALL HAVE A HEAVY-DUTY ZINC-PLATED STEEL CHASIS, RIGHT-ANGLE GEAR REDUCER, 1\"/>

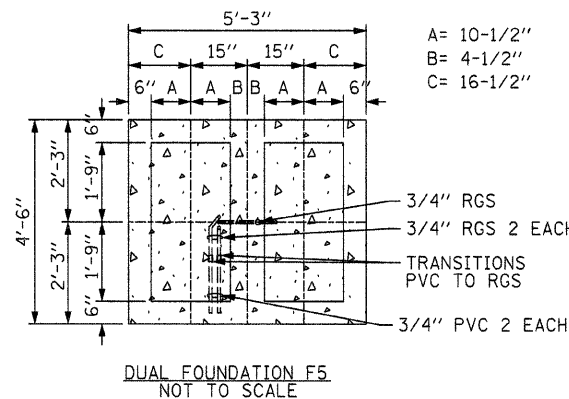


FOUNDATION BILL OF MATERIAL

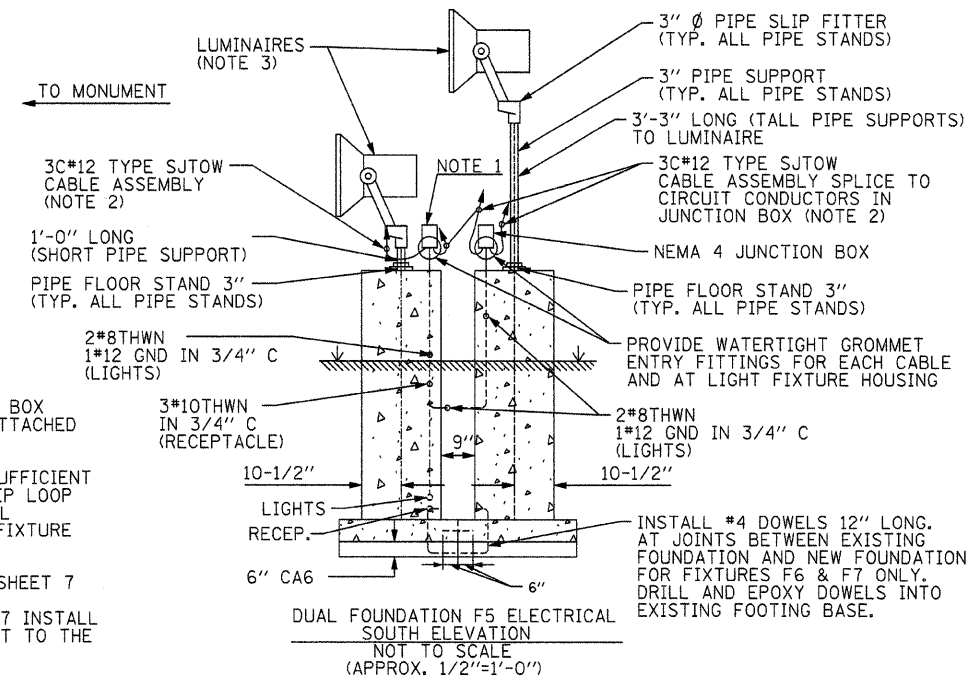
LOCATION	NO	SIZE	LENGTH	SHAPE
F5	24	#4	3'-0"	
F5	24	#4	4'-3"	
F5	16	#4	6'-0"	
F5	5	#4	4'-9"	
F5	6	#4	4'-0"	
F7	12	#4	3'-0"	
F7	12	#4	4'-3"	
F7	8	#4	6'-0"	
F7	3	#4	2'-3"	
F7	3	#4	4'-0"	
GATE OPER.	2	#4	3'-9"	
GATE OPER.	1	WWF	2'X2'	
CONCRETE STRUCTURES			CU. YD.	6.9
REINFORCEMENT BARS			POUNDS	330



DUAL FOUNDATION F5 SOUTH ELEVATION NOT TO SCALE



DUAL FOUNDATION F5 NOT TO SCALE



DUAL FOUNDATION F5 ELECTRICAL SOUTH ELEVATION NOT TO SCALE (APPROX. 1/2\"/>

NOTES:

- INSTALL WEATHERPROOF BOX WITH DUPLEX OUTLET ATTACHED TO JUNCTION BOX
- INSTALL CABLE WITH SUFFICIENT LENGTH TO PROVIDE DRIP LOOP AND TO ALLOW FOR FULL ADJUSTMENT OF LIGHT FIXTURE (MIN. LENGTH = 8'-0"
- SEE AIMING SCHEDULE SHEET 7
- AT FIXTURES F6 AND F7 INSTALL A SINGLE PIER ADJACENT TO THE EXISTING PIERS

FILE NAME =	USER NAME = #USER#	DESIGNED - R.H.D	REVISED -
#FILEL#		DRAWN - J.H.F.	REVISED -
	PLOT SCALE = #SCALE#	CHECKED - T.T.P.	REVISED -
	PLOT DATE = #DATE#	DATE - 5/12/10	REVISED -

STATE OF ILLINOIS DEPARTMENT OF TRANSPORTATION

GATE OPERATOR & LIGHT DETAILS STEPHEN DOUGLAS TOMB STATE HISTORIC SITE

SCALE: 1" = 20' SHEET NO. 8 OF 11 SHEETS STA. TO STA.

F.A. RTE.	SECTION	COUNTY	TOTAL SHEETS	SHEET NO.
		COOK	11	8
CONTRACT NO. 46137				
FED. ROAD DIST. NO.	ILLINOIS	FED. AID PROJECT		