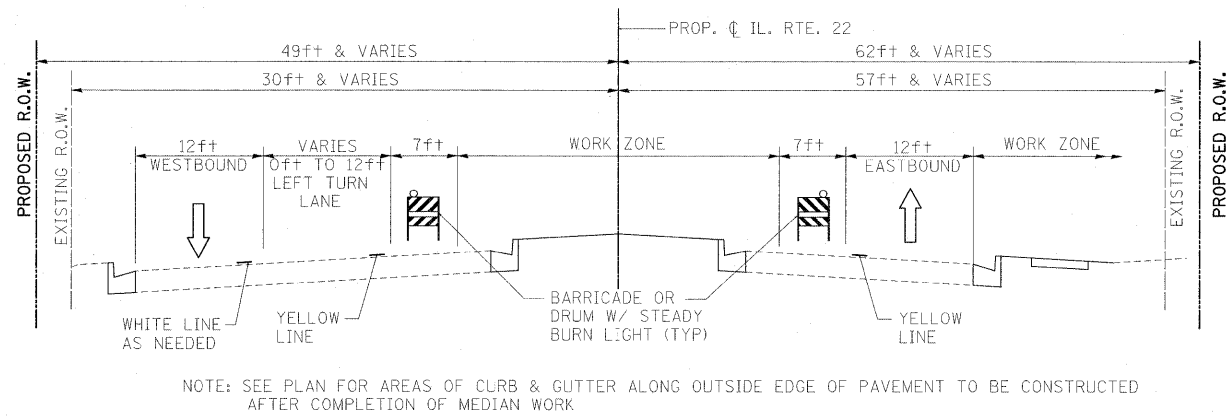


**STAGE 4**

STA. ±46+48 TO STA. ±76+84  
 STA. ±81+75 TO STA. ±101+44  
 STA. ±109+64 TO STA. ±115+13  
 STA. ±149+01 TO STA. ±173+95

PROJECT OMISSION: STA. 115+12.03 TO  
 STA. 139+09.88



**STAGE 4**

STA. ±76+84 TO STA. ±81+76  
 STA. ±101+44 TO STA. ±109+65  
 STA. ±139+09 TO STA. ±149+02

PROJECT OMISSION: STA. 115+12.03 TO  
 STA. 139+09.88

FILE NAME =	USER NAME = #USER#	DESIGNED LP	REVISED -	<b>STATE OF ILLINOIS DEPARTMENT OF TRANSPORTATION</b>	<b>IL ROUTE 22 MAINTENANCE OF TRAFFIC TYPICAL SECTIONS, STAGE 4</b>			F.A.P. RTE.	SECTION	COUNTY	TOTAL SHEETS	SHEET NO.
W:\ILRTE22\2009 REVISIONS\CAOD Sheets\160860-ehf-staging-typical.dgn	D160860-ehf-staging-typical.dgn	DRAWN - DC	REVISED -		337	20R-4	LAKE	232	38			
PLOT SCALE = #SCALE#		CHECKED - JP	REVISED -		SCALE: NTS SHEET NO. 38 OF 232 SHEETS STA. TO STA.			CONTRACT NO. 60860				
PLOT DATE = 5/15/2010		DATE - 05/14/2010	REVISED -		ILLINOIS FED. AID PROJECT							