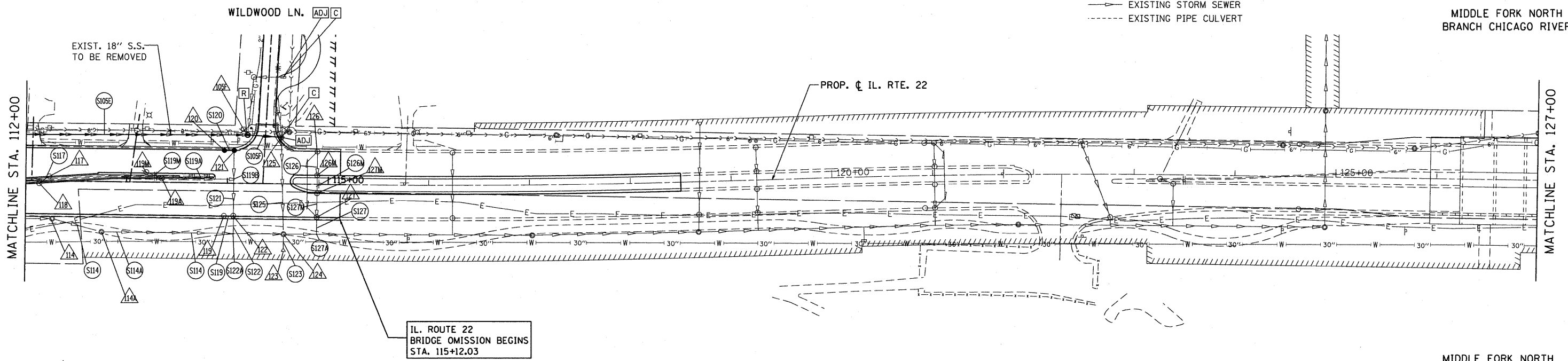


DATE	
BY	
PLAN SURVEYED	
PLOTTED	
NOTED	
NOTE BOOK NO.	
FILE NAME	

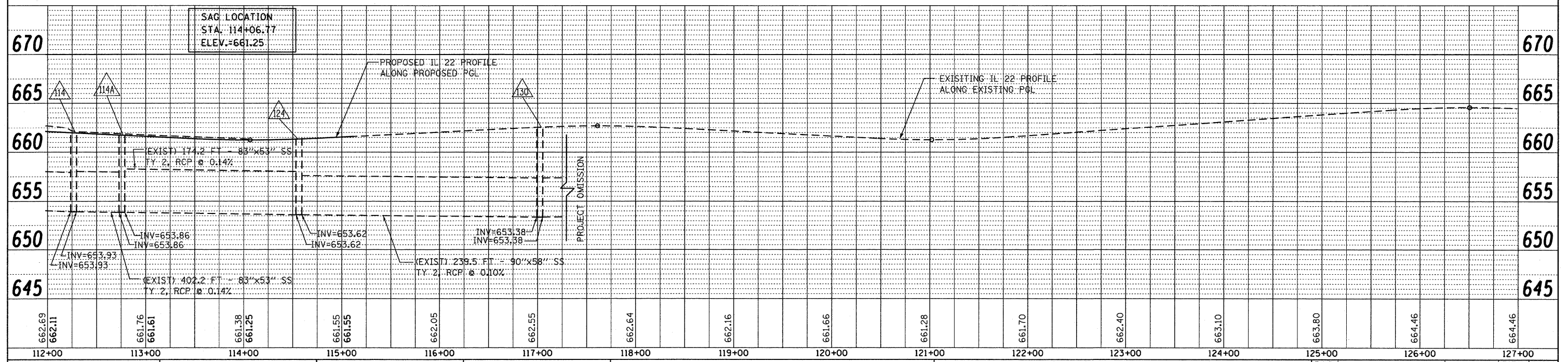
DATE	
BY	
PROFILE SURVEYED	
PLOTTED	
NOTED	
NOTE BOOK NO.	
FILE NAME	

- LEGEND:**
- PROPOSED MANHOLE
 - PROPOSED CATCH BASIN
 - PROPOSED STORM SEWER
 - ▶ PROPOSED FLARED END SECTION
 - EXISTING MANHOLE
 - EXISTING CATCH BASIN
 - ▬ EXISTING INLET
 - ▽ EXISTING FLARED END SECTION
 - EXISTING STORM SEWER
 - - - EXISTING PIPE CULVERT



- △ PROPOSED STORM STRUCTURE
- PROPOSED STORM SEWER
- ▭ EXISTING STRUCTURE TO BE REMOVED
- ▭ EXISTING STORM SEWER TO BE ABANDONED
- ▭ EXISTING STRUCTURE TO BE ADJUSTED
- ▭ EXISTING STRUCTURE TO BE CLEANED

NOTE:
STORM WATER STRUCTURE OFFSET LOCATIONS GIVEN ON THE DETAILED PLANS ARE TO THE FOLLOWING POINTS: A) FOR STRUCTURES FALLING IN THE CURB LINE - TO THE EDGE OF PAVEMENT; B) FOR ALL OTHER STRUCTURE LOCATIONS - TO THE CENTER OF THE STRUCTURE.



FILE NAME = W:\ILRTE22\2009 REVISIONS\CADD Sheets\Revised sheets\DI60860-shd-drain.dgn	USER NAME = pooscha	DESIGNED - LP	REVISED - 07/26/2010	STATE OF ILLINOIS DEPARTMENT OF TRANSPORTATION	IL. ROUTE 22 DRAINAGE PLAN AND PROFILE			F.A.P. RTE. 337	SECTION 20R-4	COUNTY LAKE	TOTAL SHEETS 232	SHEET NO. 97
PLOT SCALE = 50.000' / 1"	CHECKED - JP	DATE - 05/14/2010	REVISED -		SCALE: 1"=50'	SHEET NO. 97 OF 232 SHEETS	STA. 112+00 TO STA. 127+00	CONTRACT NO. 60860				
PLOT DATE = 7/28/2010	DATE - 05/14/2010	REVISED -	REVISED -		ILLINOIS FED. AID PROJECT							