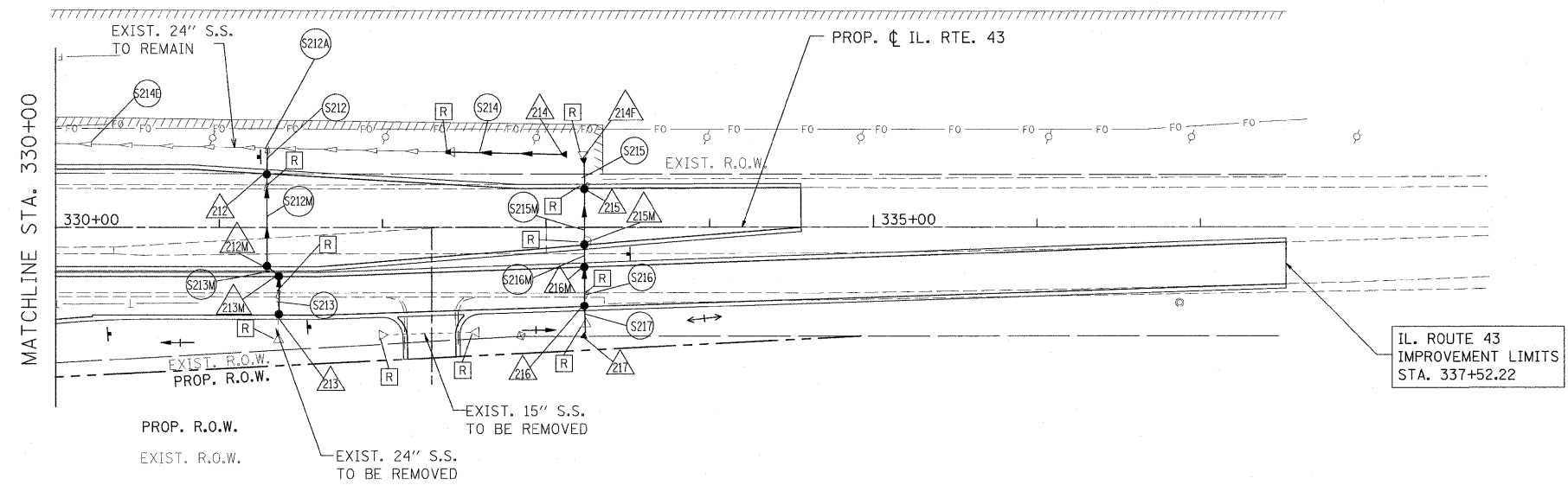


PLAN	SURVEYED	DATE
	PLOTTED	
	NOTE BOOK	
	CADD FILE NAME	

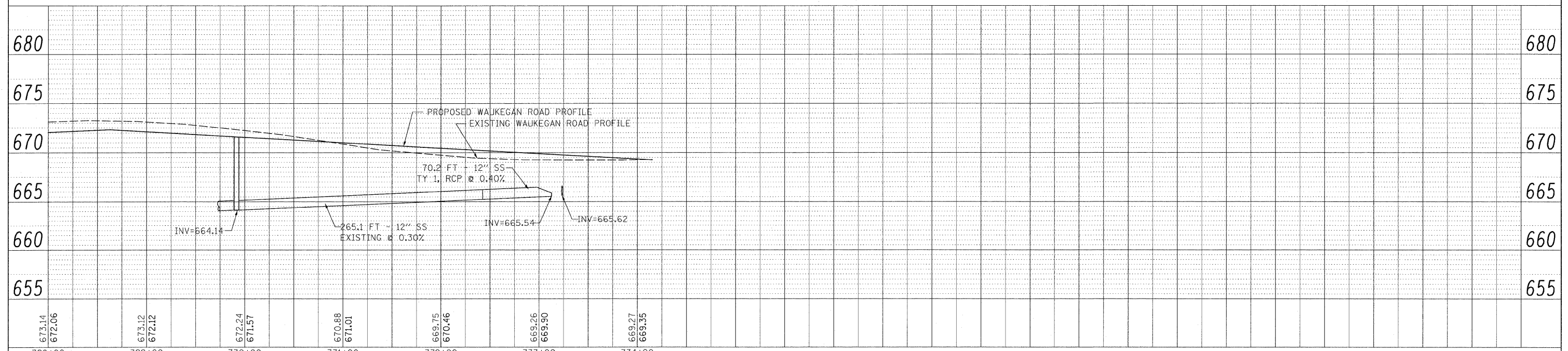
PROFILE	SURVEYED	DATE
	PLOTTED	
	NOTE BOOK	
	STRUCTURE NOTATIONS CHKD	

- LEGEND:**
- PROPOSED MANHOLE
 - PROPOSED CATCH BASIN
 - PROPOSED STORM SEWER
 - ▶ PROPOSED FLARED END SECTION
 - EXISTING MANHOLE
 - EXISTING CATCH BASIN
 - ▬ EXISTING INLET
 - ▶ EXISTING FLARED END SECTION
 - EXISTING STORM SEWER
 - - - EXISTING PIPE CULVERT



- △ PROPOSED STORM STRUCTURE
- PROPOSED STORM SEWER
- [R] EXISTING STRUCTURE TO BE REMOVED
- [AB] EXISTING STORM SEWER TO BE ABANDONED
- [ADJ] EXISTING STRUCTURE TO BE ADJUSTED
- [C] EXISTING STRUCTURE TO BE CLEANED

NOTE:
STORM WATER STRUCTURE OFFSET LOCATIONS GIVEN ON THE DETAILED PLANS ARE TO THE FOLLOWING POINTS: A) FOR STRUCTURES FALLING IN THE CURB LINE - TO THE EDGE OF PAVEMENT; B) FOR ALL OTHER STRUCTURE LOCATIONS - TO THE CENTER OF THE STRUCTURE.



FILE NAME =	USER NAME = #USER#	DESIGNED - LP	REVISED -	STATE OF ILLINOIS DEPARTMENT OF TRANSPORTATION	WAUKEGAN ROAD DRAINAGE PLAN AND PROFILE	F.A.P. RTE.	SECTION	COUNTY	TOTAL SHEETS	SHEET NO.	
W:\ILRTE22\2009 REVISIONS\CADD Sheets\08868-shd-drain-wauk.dgn	08868-shd-drain-wauk.dgn	DRAWN - DC	REVISED -			337	20R-4	LAKE	232	103	
PLOT SCALE = #SCALE#		CHECKED - JP	REVISED -			CONTRACT NO. 60680					
PLOT DATE = 5/15/2010		DATE - 05/14/2010	REVISED -			SCALE: 1"=50'		SHEET NO. 103 OF 232 SHEETS		STA. 330+00.00 TO STA. 337+52.22	