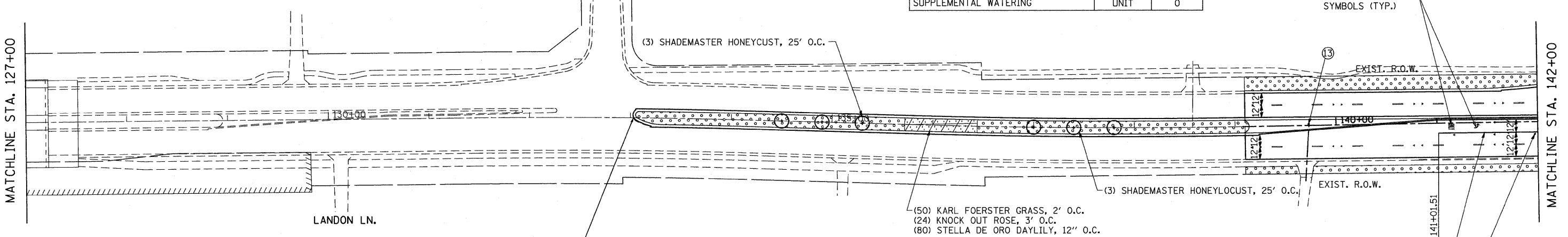


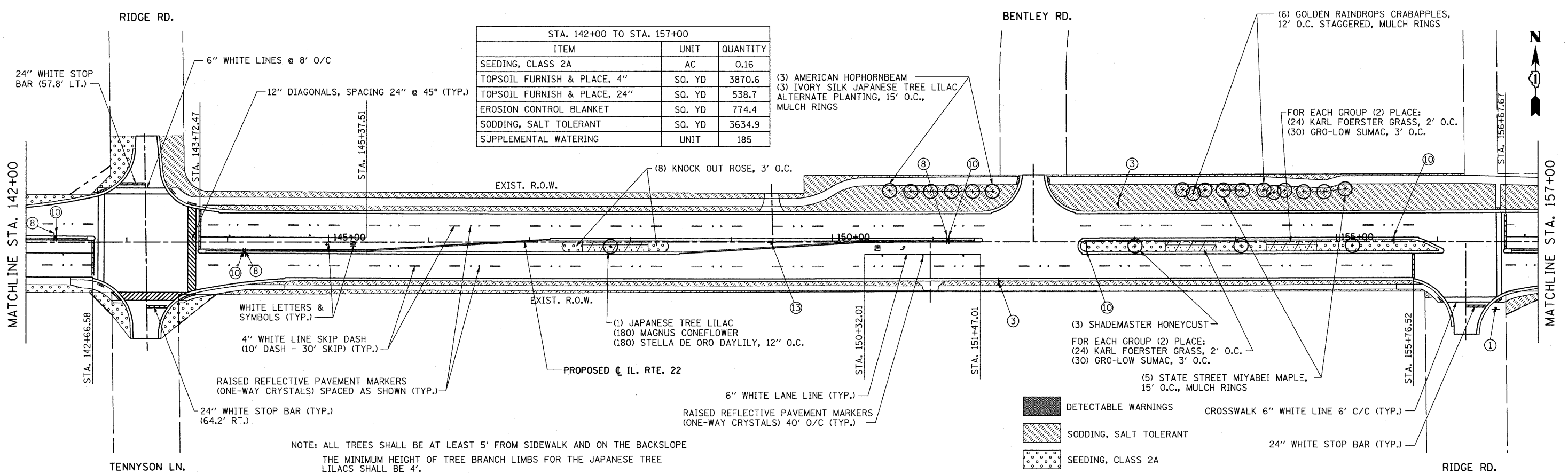
STA. 133+02.52 TO STA. 174+82.92		
SCIENTIFIC NAME	COMMON NAME	QUANTITY
CALAMAGROSTIS ACUTIFLORA 'KARL FOERSTER'	FEATHER REED GRASS	1.76 UNIT
ECHINACEA PURPUREA 'MAGNUS'	MAGNUS PURPLE CONEFLOWER	3.60 UNIT
HEMEROCALLIS 'PARDON ME'	PARDON ME DAYLILY	0.96 UNIT
HEMEROCALLIS 'STELLA DE ORO'	STELLA DE ORO DAYLILY	4.40 UNIT
RUDBECKIA FULGIDA 'GOLDSTURM'	BLACK EYED SUSAN	0.96 UNIT

STA. 133+02.52 TO STA. 142+00		
ITEM	UNIT	QUANTITY
SEEDING, CLASS 2A	AC	0.32
TOPSOIL FURNISH & PLACE, 4"	SQ. YD	689.5
TOPSOIL FURNISH & PLACE, 24"	SQ. YD	859.3
EROSION CONTROL BLANKET	SQ. YD	1548.8
SODDING, SALT TOLERANT	SQ. YD	0.0
SUPPLEMENTAL WATERING	UNIT	0



IL. ROUTE 22
BRIDGE OMISSION ENDS
STA. 133+02.52

STA. 133+02.52 TO STA. 157+00			
ITEM	SODDING	SEEDING	QUANTITY
NITROGEN FERTILIZER NUTRIENT	60 LBS/AC X 0.75 AC = 45.0 LBS	90 LBS/AC X 0.48 AC = 43.2 LBS	88.2 LBS
PHOSPHORUS FERTILIZER NUTRIENT	60 LBS/AC X 0.75 AC = 45.0 LBS	90 LBS/AC X 0.48 AC = 43.2 LBS	88.2 LBS
POTASSIUM FERTILIZER NUTRIENT	60 LBS/AC X 0.75 AC = 45.0 LBS	90 LBS/AC X 0.48 AC = 43.2 LBS	88.2 LBS



NOTE: ALL TREES SHALL BE AT LEAST 5' FROM SIDEWALK AND ON THE BACKSLOPE
THE MINIMUM HEIGHT OF TREE BRANCH LIMBS FOR THE JAPANESE TREE
LILACS SHALL BE 4'.