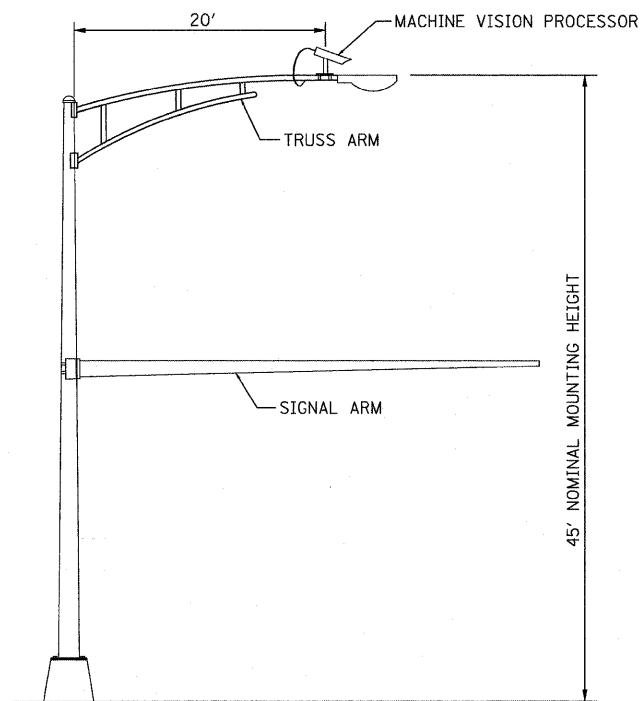
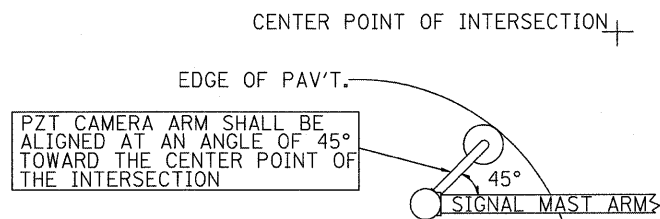


**TYPICAL VIDEO VEHICLE DETECTION SYSTEM**  
(NOT TO SCALE)

(4) MACHINE VISION PROCESSOR ASSEMBLIES AND BRACKETS ① ② ③ ④  
POWER CABLE TO EACH MACHINE VISION PROCESSOR (24 VAC)

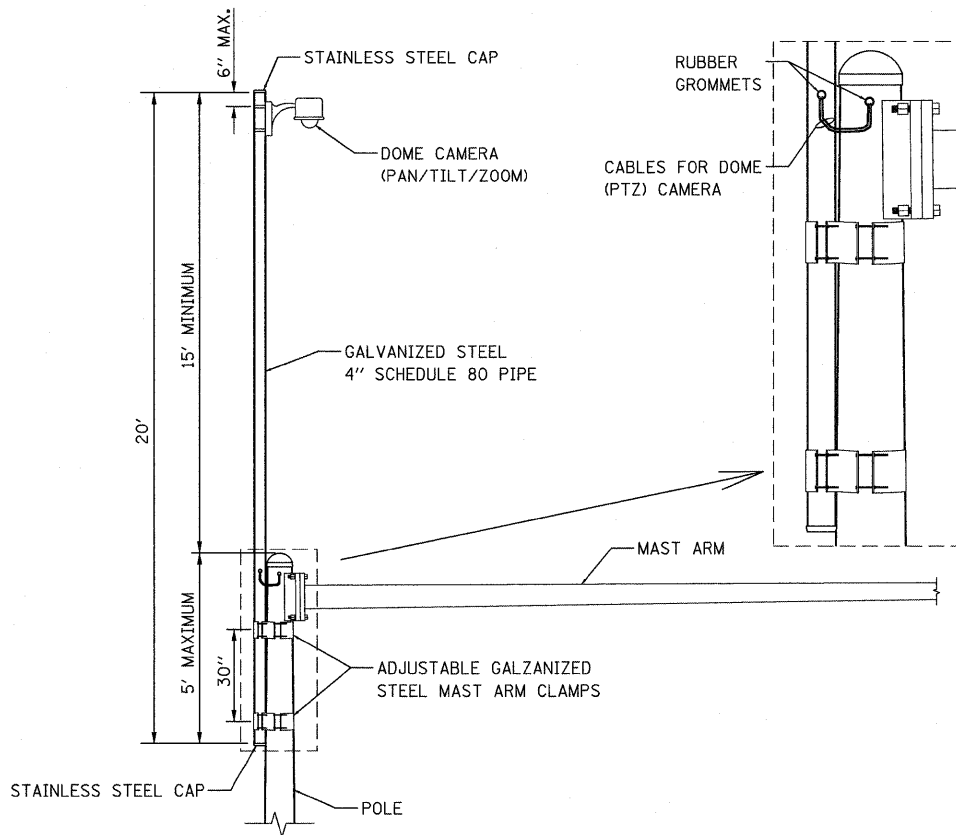


**COMBINATION MAST ARM ASSEMBLY AND POLE DIMENSIONS**  
(NOT TO SCALE)



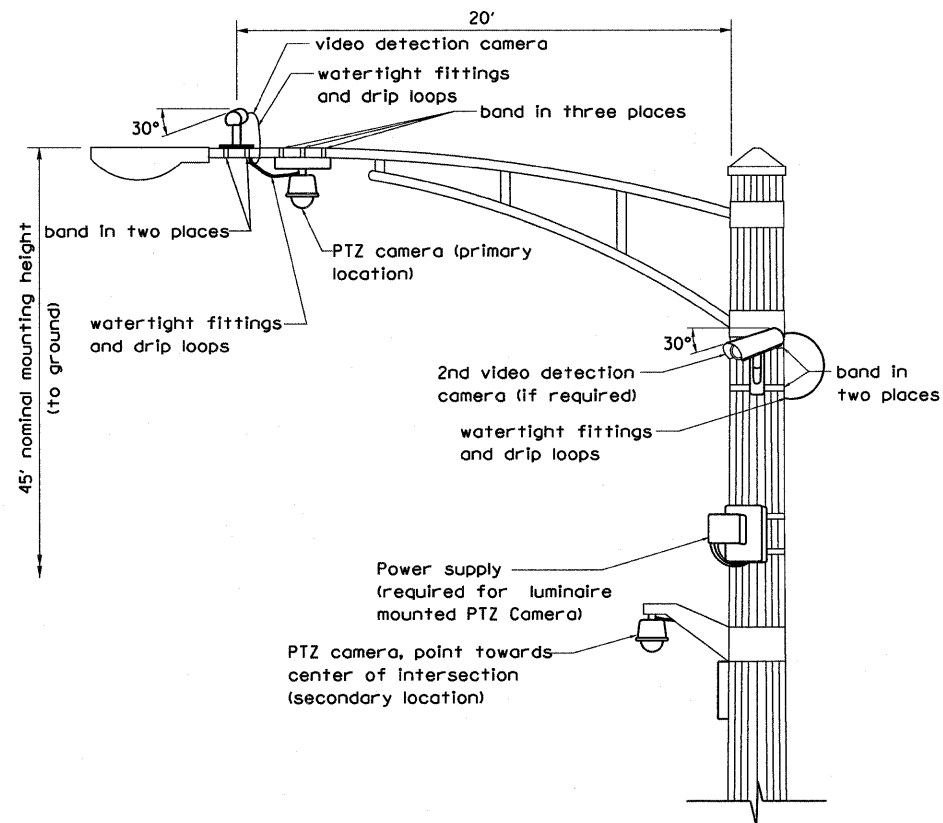
**IMAGE SENSOR MOUNTING DETAILS**

(NO SCALE)



**CAMERA MOUNTING ASSEMBLY DETAIL**

(NOT TO SCALE)



**VIDEO DETECTION CAMERA(S) AND DOME (PTZ) CAMERA MOUNTING DETAIL**

(NOT TO SCALE)

- NOTES FOR SINGLE, DUAL AND MULTIPLE MVP MOUNTING:
- MOUNT LUMINAIRE MOUNTING BRACKET AS HIGH AS POSSIBLE.
  - AIM BRACKET TOWARD DIRECTION OF TRAFFIC TO BE DETECTED.
  - MOUNT MACHINE VISION PROCESSOR AIMING DOWN AT 30 DEGREE ANGLE.

REVISIONS	DATE	LakeCounty Division of Transportation	APPROVED BY: A. KHAWAJA
Mounting Details Revised	5/108		DATE: APRIL 1, 2007
2nd Camera Locat. added	1/1409		
<b>VIDEO DETECTION DETAILS</b>			

NO.	DESCRIPTION	DATE	BY	SURVEYOR:
		/ /		/
		/ /		DSGNR/LIAISON:
		/ /		PLOTTED BY:

FILE NAME = W:\ILRTE22\2009 REVISIONS\CADD Sheets\

USER NAME = pcciecha

DESIGNED - LP

REVISOR - LP

DRAWN - LP

CHECKED - JP

PLOT DATE = 7/28/2010

DATE - 07/20/2010

DESIGNED - LP	REVISOR - LP
DRAWN - LP	CHECKED - JP
DATE - 07/20/2010	

**LakeCounty**  
Division of Transportation

**STATE OF ILLINOIS**  
**DEPARTMENT OF TRANSPORTATION**

**VIDEO DETECTION DETAILS**

ROUTE: CH

SECTION: 20R-4

SCALE: NTS

SHEET NO. 173A OF 232 SHEETS

STA. TO STA.

SECTION	COUNTY	TOTAL SHEETS	SHEET NO.
20R-4	LAKE	232	173A
CONTRACT NO. 60860		ILLINOIS FED. AID PROJECT	

006807