

STAGE 1 CONSTRUCTION

1. REMOVE SUPERSTRUCTURE CARRYING THE EB LANES OF ELSTON AVE.
2. CONSTRUCT NEW WEST ABUTMENT UNDERNEATH EB LANES OF ELSTON AVE.
3. REPAIR EAST ABUTMENT UNDER EB LANES OF ELSTON AVE.
4. CONSTRUCT TEMPORARY PAVEMENT AT WEST ABUTMENT UNDERNEATH EB LANES OF ELSTON AVE.

STAGE 1 NOTES

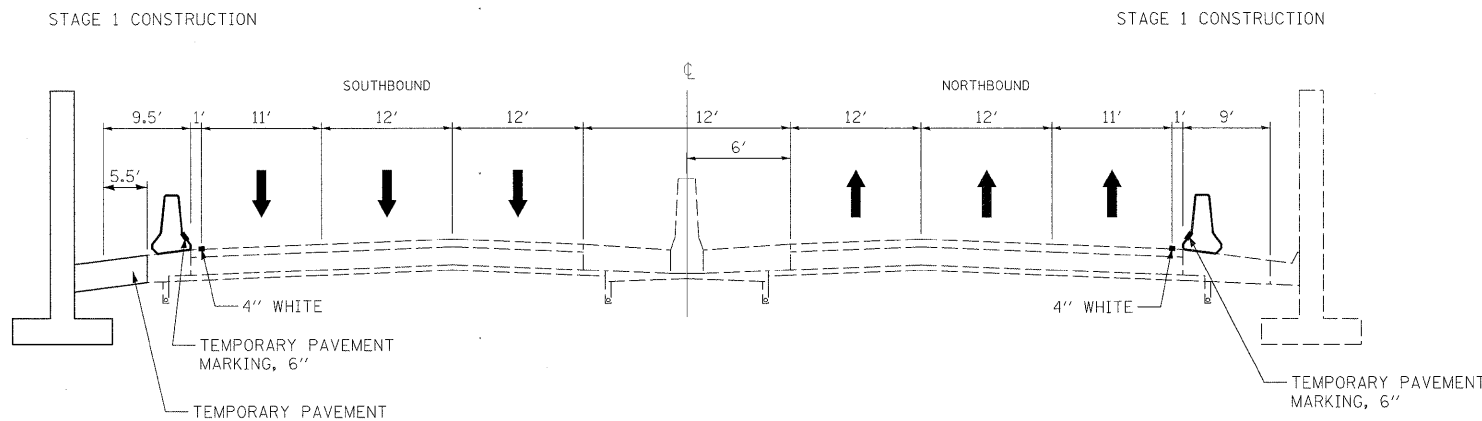
1. ON STREET PARKING ALONG THE WB LANE OF ELSTON AVE BETWEEN CARMEN AND IL RTE 50 (CICERO) WILL NEED TO BE RESTRICTED DUE TO THE SHIFTING OF TRAFFIC.
2. EXISTING BICYCLE LANE LOCATED ALONG THE WB LANE OF ELSTON AVE. WILL BE CLOSED DUE TO THE SHIFTED TRAFFIC FROM CARMEN AVE TO IL RTE 50 (CICERO).
3. ALL PEDESTRIAN TRAFFIC WILL HAVE TO USE THE SIDEWALK ALONG THE WB LANES OF ELSTON OVER THE BRIDGE DURING THIS STAGE SINCE THE SIDEWALK ALONG THE EB LANES WILL BE CLOSED.

STAGE 1 TRAFFIC

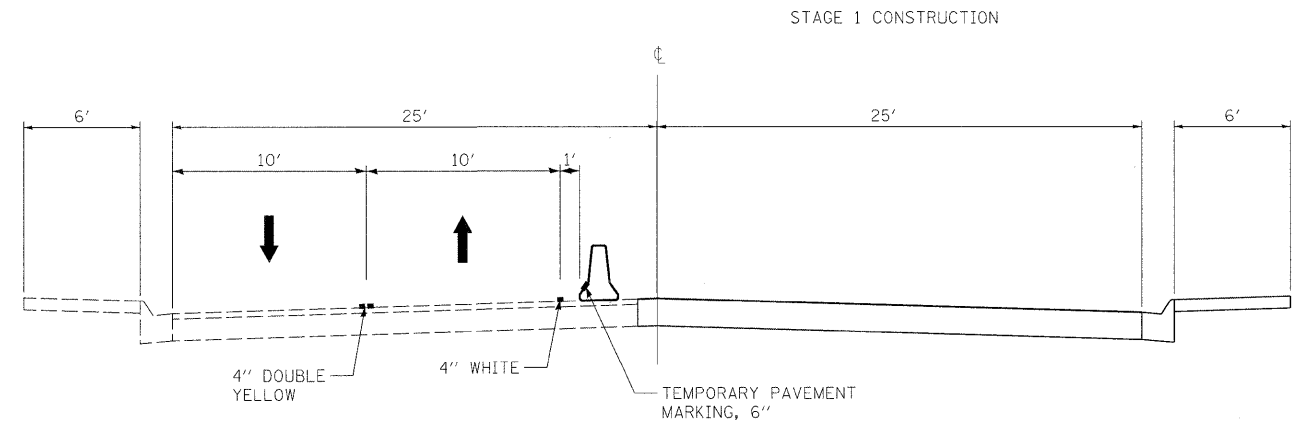
- I-94 (EDENS EXPWY)
- THE OUTSIDE SHOULDERS OF EB AND WB I-94 (EDENS EXPWY.) WILL BE CLOSED PER DISTRICT DETAIL TC-17.
- ELSTON RAMP TO EB I-94 (EDENS EXPWY.)
- RAMP WILL BE CLOSED. TRAFFIC WILL BE DETOURED.
- WB ELSTON AVE
- ONE 10' LANE WILL BE MAINTAINED FROM CARMEN AVE. TO KIMBERLY AVE BY SHIFTING WB TRAFFIC TO THE EXISTING WB DRIVING LANE. LEFT TURNS ONTO IL RTE 50 (CICERO AVE.) WILL BE PROHIBITED DURING THIS STAGE.
- EB ELSTON AVE.
- ONE 10' LANE WILL BE MAINTAINED FROM CARMEN AVE. TO KIMBERLY AVE BY SHIFTING EB TRAFFIC TO THE EXISTING WB PASSING LANE. LEFT TURNS ONTO IL RTE 50 (CICERO AVE) WILL BE PROHIBITED DURING THIS STAGE.
- NB IL RTE 50 (CICERO AVE.)
- DAILY LANE CLOSURES AND SHOULDER CLOSURES ARE ANTICIPATED FOR CORNER ISLAND OPERATIONS AND SHOULDER OPERATIONS PER HIGHWAY STANDARD 701701.

PROPOSED DETOURS

- RAMP TO EB I-94 (EDENS EXPWY.) DETOUR
1. WB ELSTON TRAFFIC TO RAMP WILL BE DETOURED VIA WB LAWRENCE AVE TO SB IL RTE 50 (CICERO AVE) TO EB WILSON AVE AT WHICH POINT TRAFFIC MAY ENTER EB I-94 (EDENS EXPWY) (DETOUR TO BE IN PLACE THROUGHOUT CONSTRUCTION)
 2. EB ELSTON AND SB IL RTE 50 (CICERO AVE.) TRAFFIC WILL BE DETOURED VIA SB IL RTE 50 (CICERO AVE) TO EB WILSON AVE AT WHICH POINT TRAFFIC MAY ENTER EB I-94 (EDENS EXPWY) (DETOUR ESTIMATED TO BE IN PLACE FOR 20 WEEKS.)
- WB ELSTON AVE TO SB IL RTE 50 (CICERO)
 - WB ELSTON TRAFFIC TO SB IL RTE 50 (CICERO AVE) WILL BE DETOURED VIA WB ELSTON TO EB FOSTER AT WHICH POINT TRAFFIC MAY GO SB ON IL RTE 50 (CICERO AVE) (DETOUR TO BE IN PLACE THROUGHOUT CONSTRUCTION)



STAGE 1 - TYPICAL SECTION - I-94



STAGE 1 - TYPICAL SECTION - ELSTON

FILE NAME = #F11.F1	USER NAME = #USER#	DESIGNED -	REVISED -	STATE OF ILLINOIS DEPARTMENT OF TRANSPORTATION	MAINTENANCE OF TRAFFIC STAGE 1 - I-94				F.A.I. RTE.	SECTION	COUNTY	TOTAL SHEETS	SHEET NO.
	PLOT SCALE = #SCALE#	CHECKED -	REVISED -		94	0101.88	COOK	139	17				
PLOT DATE = #DATE#	DATE -	REVISED -	REVISED -		CONTRACT NO. 60C18				ILLINOIS FED. AID PROJECT				
					SCALE: NTS	SHEET NO. 1 OF 5 SHEETS		STA. TO STA.					