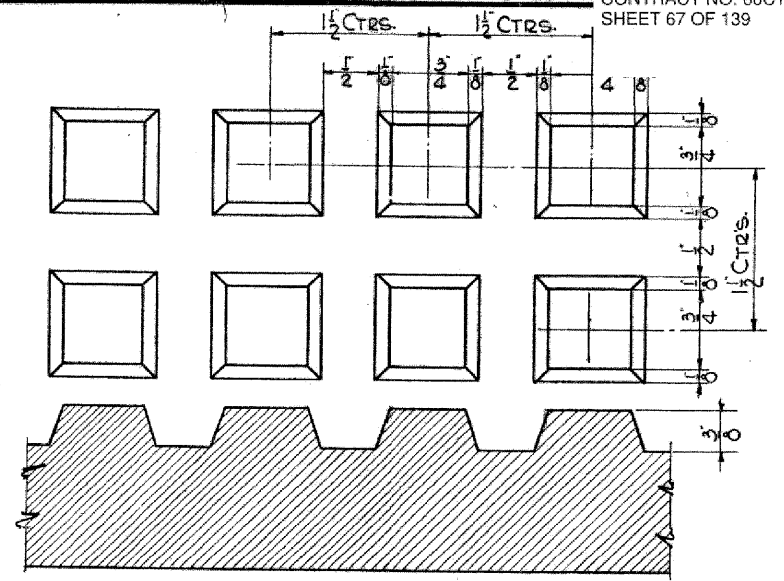


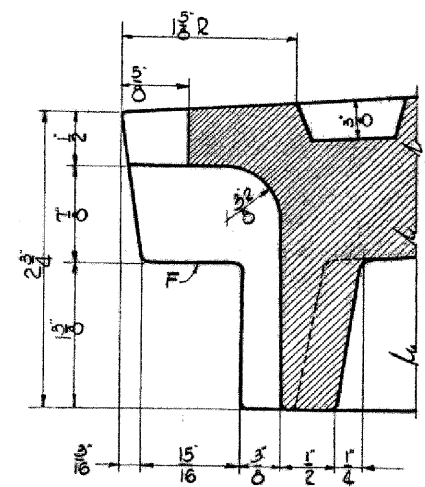
PLAN

MATERIAL - CAST IRON  
ESTIMATED WEIGHT 315 LB.

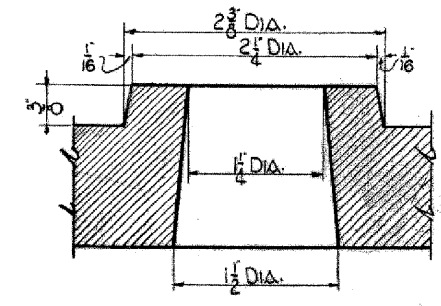
F- DENOTES BEARING SURFACE SHALL BE MACHINED SMOOTH.



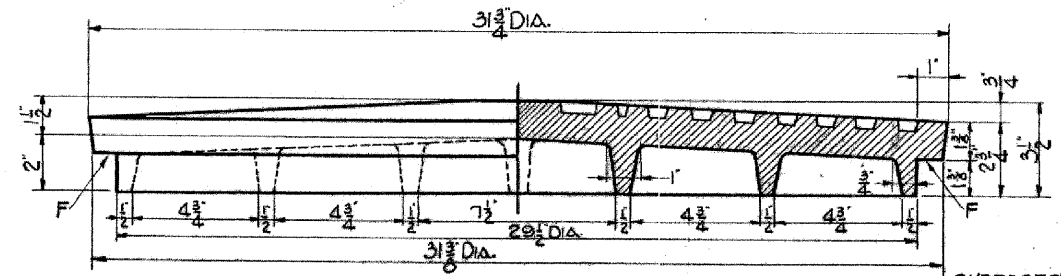
DETAIL OF CORRUGATIONS



SECTION B-B



SECTION C-C



HALF ELEVATION

HALF SECTION A-A

SUPERSEDES DRG. 7223-DATED 6-29-18  
COMMODITY CODE 02-4574-5630

C	WEIGHT REVISED
B	WEIGHT REVISED
A	IDENTIFICATION LETTERS ON COVER CHANGED
<b>30" CIRCULAR STREET MANHOLE COVER</b>	
CITY OF CHICAGO DEPT. OF STREETS AND SANITATION DIVISION OF ELECTRICAL ENGINEERING	
REVISION	DATE
A	12-7-53
B	9-7-79
C	8-9-85
W. ZOLESKI	
10927	
16x21	
4-5-34	