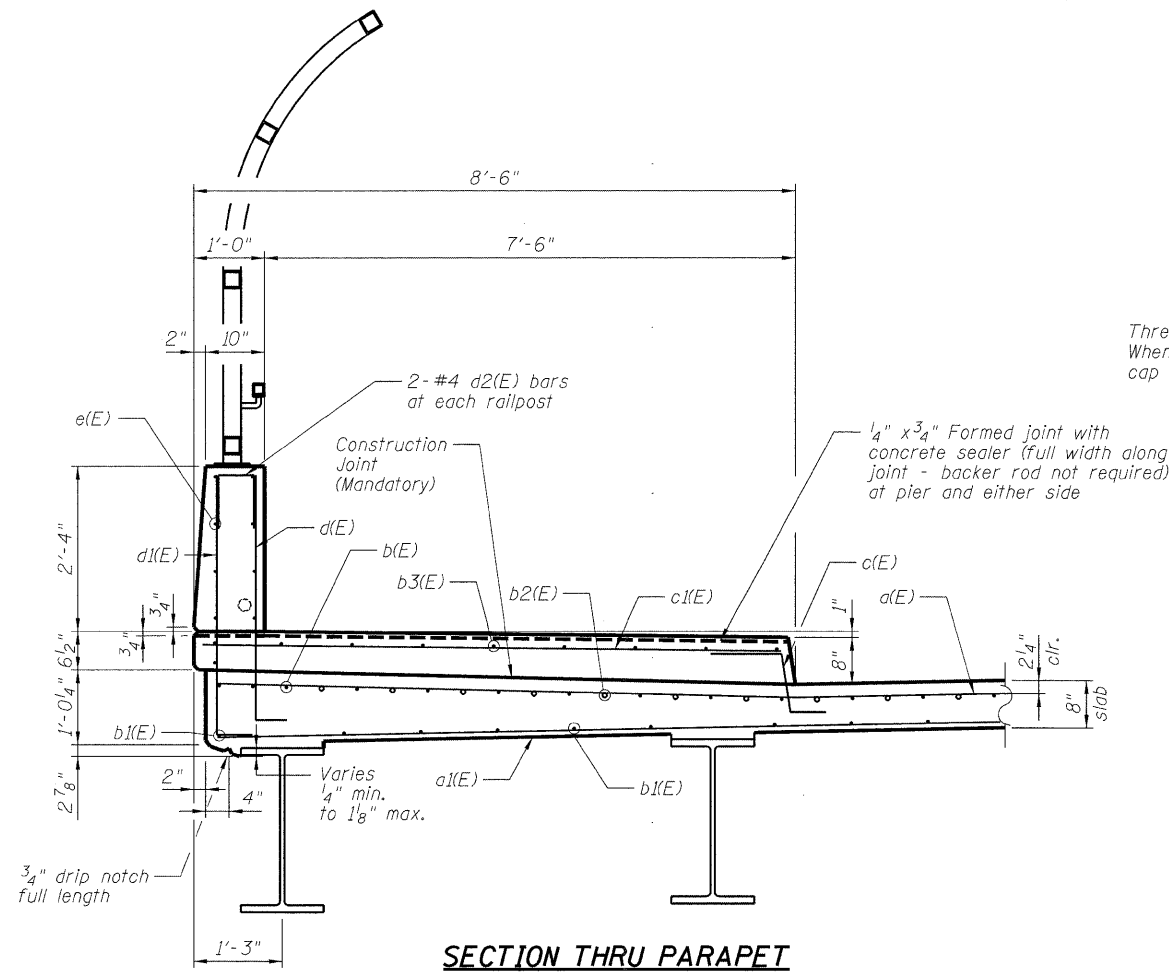
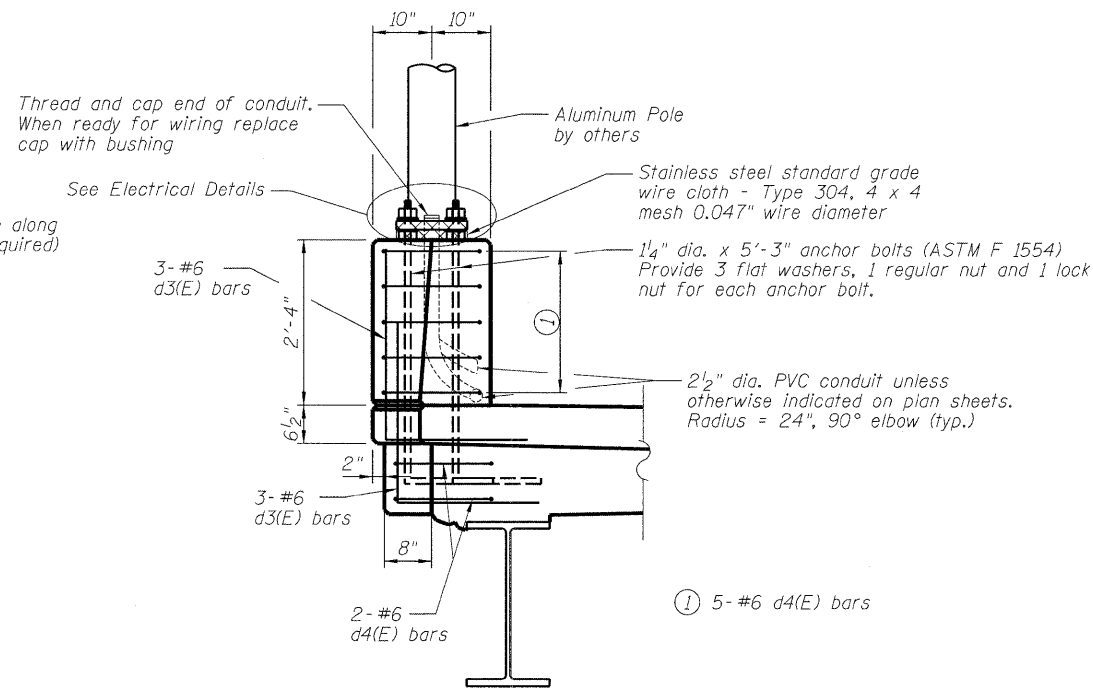


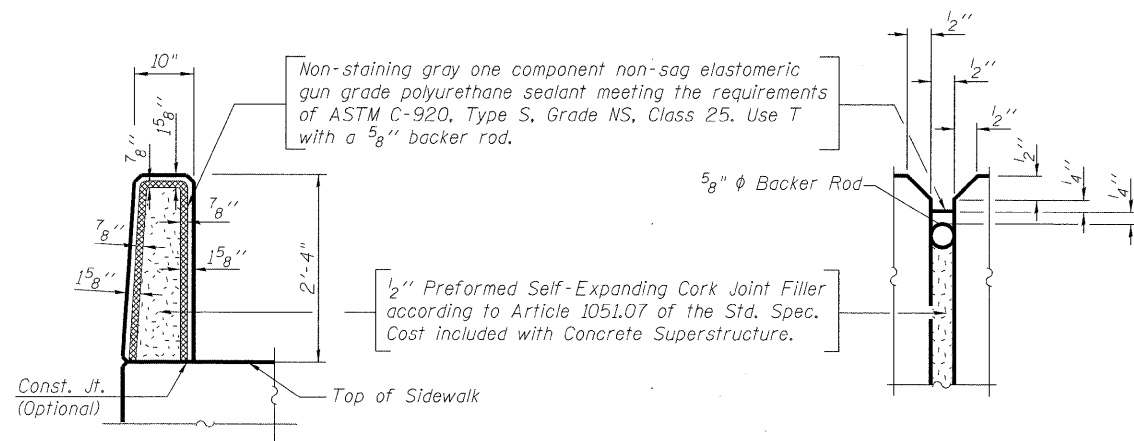
STATE OF ILLINOIS  
DEPARTMENT OF TRANSPORTATION



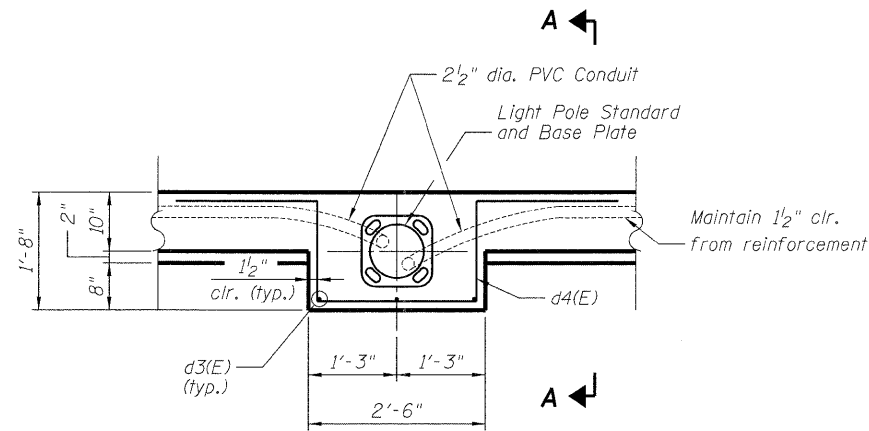
**SECTION THRU PARAPET**



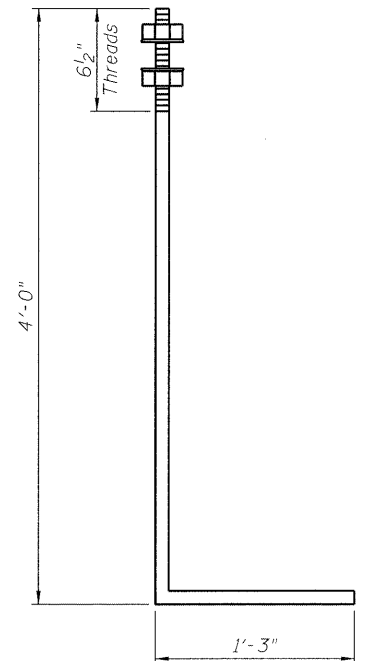
**VIEW A-A**



**PARAPET JOINT DETAILS**



**LIGHT POLE MOUNTING PLAN**



**1/4" DIA. ANCHOR BOLT**

Notes:

- Level light pole plates, using the flange nuts, prior to pouring the parapet wall. The top of the plate shall be at the same elevation as the finished concrete parapet.
- The cost of anchor bolts, conduit, base plate and foundation is included in the cost of Concrete Superstructure.

DESIGNED - ASP
CHECKED - WSP
DRAWN - BEM
CHECKED - ASP

**DLZ** 85 W. Algonquin Rd. Ste. 220  
Arlington Heights IL 60005  
DLZ Illinois, Inc. (847)-640-0840

SHEET NO. 14 OF 42 SHEETS	F.A. - RTE.	SECTION	COUNTY	TOTAL SHEETS	SHEET NO.
	94	0101.8B	COOK	139	90
CONTRACT NO. 60C18					
ILLINOIS FED. AID PROJECT					

**PARAPET & SIDEWALK DETAILS  
STRUCTURE NUMBER 016-0610**