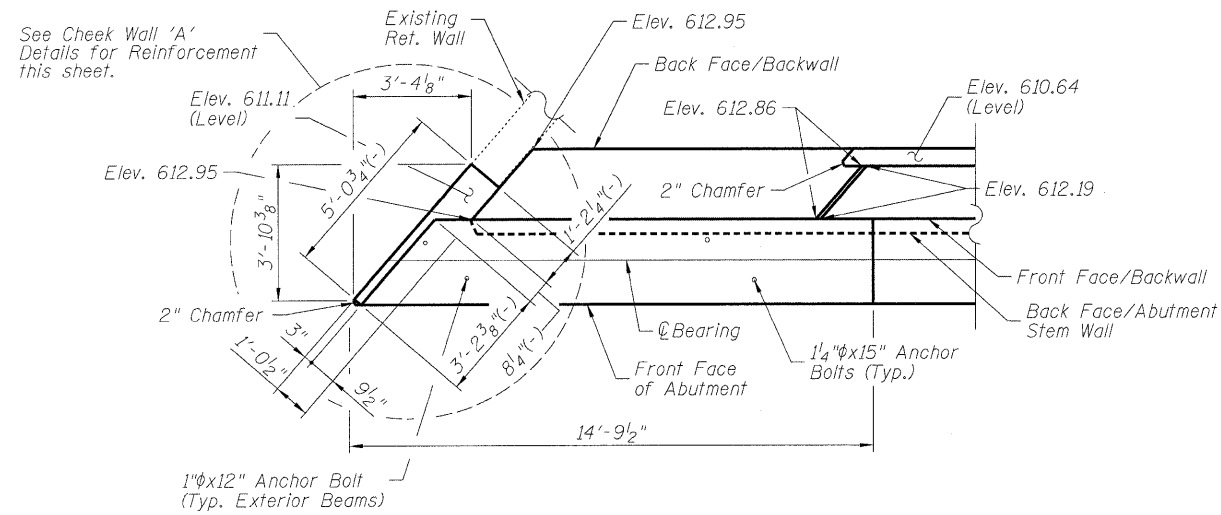
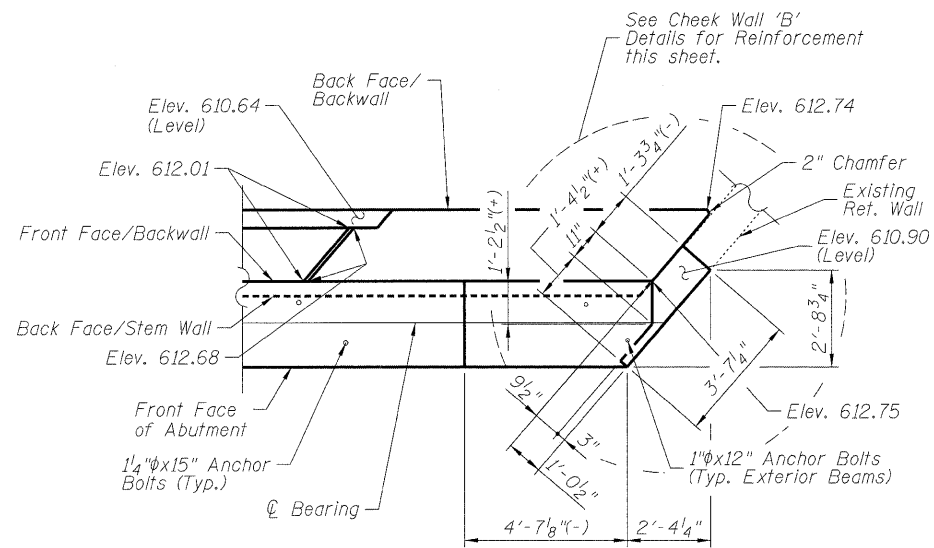


STATE OF ILLINOIS
DEPARTMENT OF TRANSPORTATION



Detail 'A' Plan

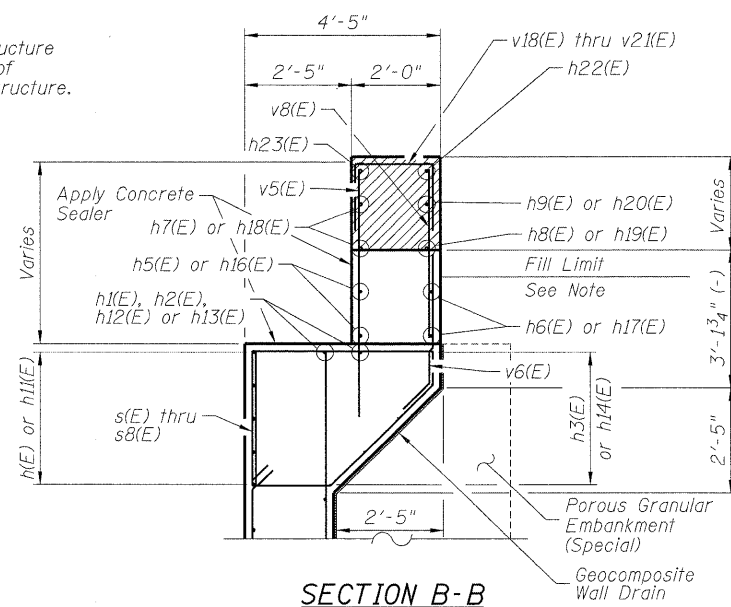


Detail 'B' Plan

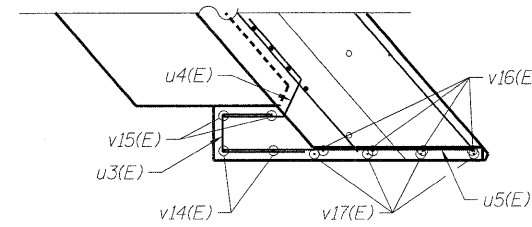
Notes:

Hatched area to be poured after superstructure false work has been removed. Quantity of concrete included with Concrete Superstructure.

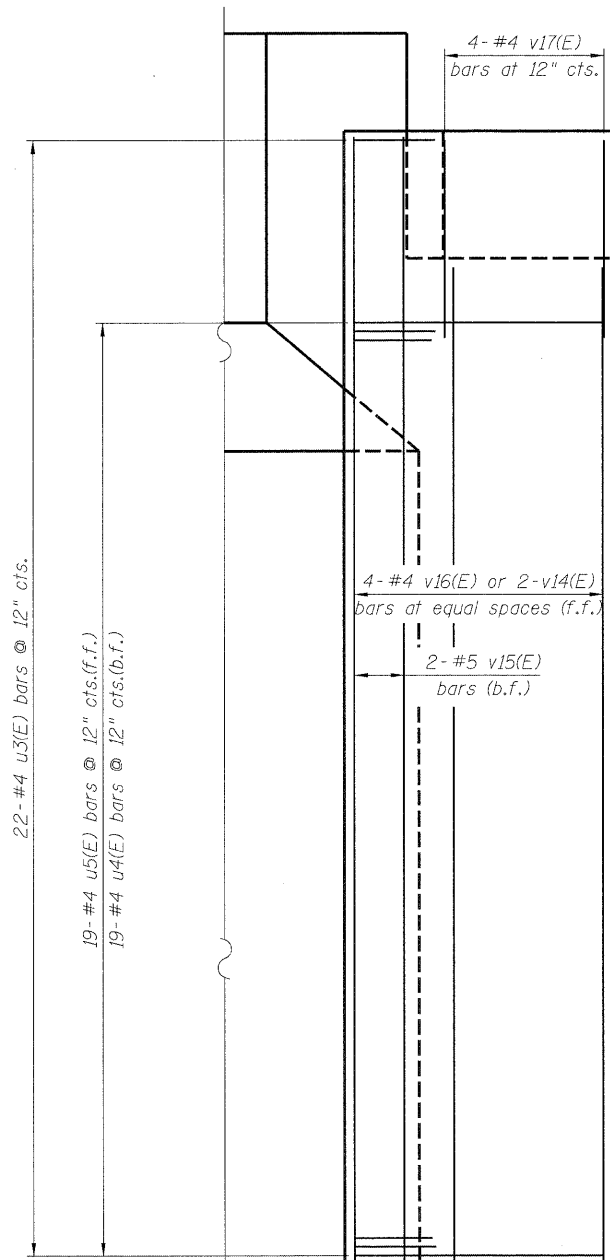
Limit fill height to Elev. 608.25 without superstructure in place.



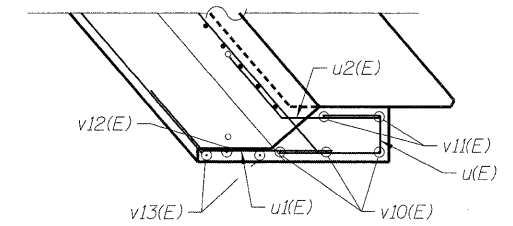
SECTION B-B



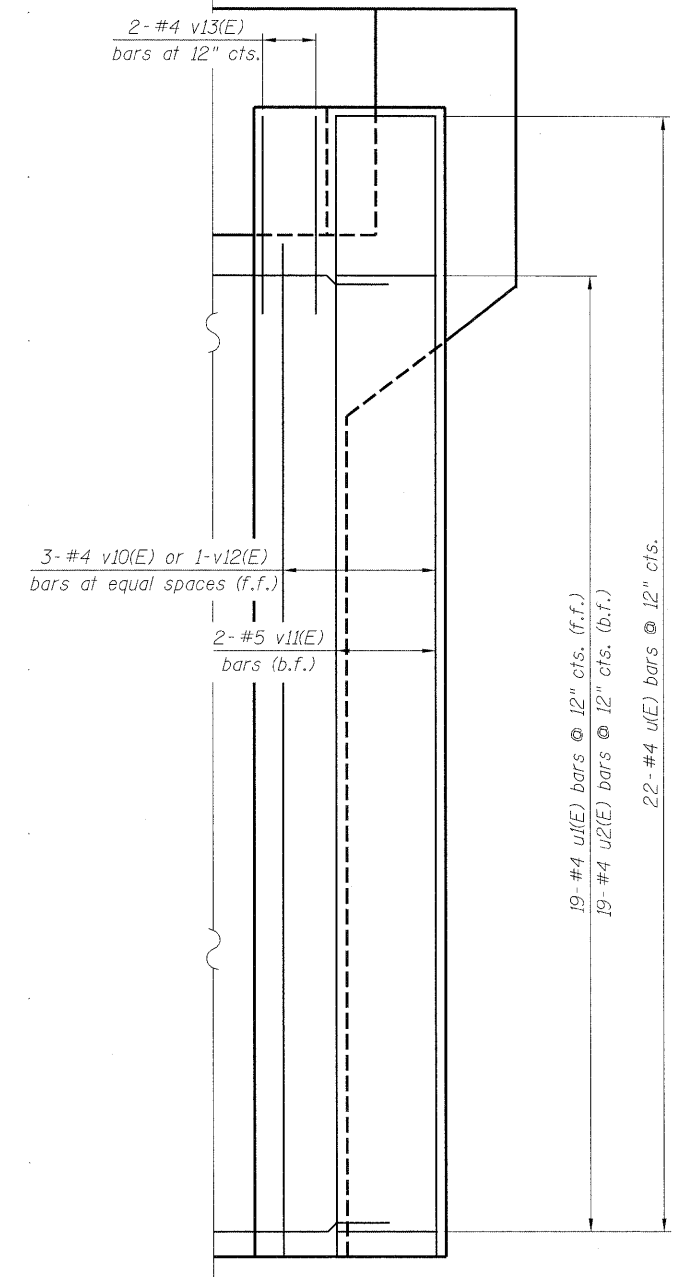
PLAN



ELEVATION 'A'



PLAN



ELEVATION 'B'

DESIGNED - ASP
CHECKED - DPW
DRAWN - BEM
CHECKED - ASP

WEST ABUTMENT II
STRUCTURE NUMBER 016-0610

SHEET NO. 26 OF 42 SHEETS	F.A. RTE. 94	SECTION 0101.8B	COUNTY COOK	TOTAL SHEETS 139	SHEET NO. 102
	CONTRACT NO. 60C18				
ILLINOIS FED. AID PROJECT					

DLZ 85 W. Algonquin Rd. Ste. 220
Arlington Heights IL 60005
DLZ Illinois, Inc. (847)-640-0840