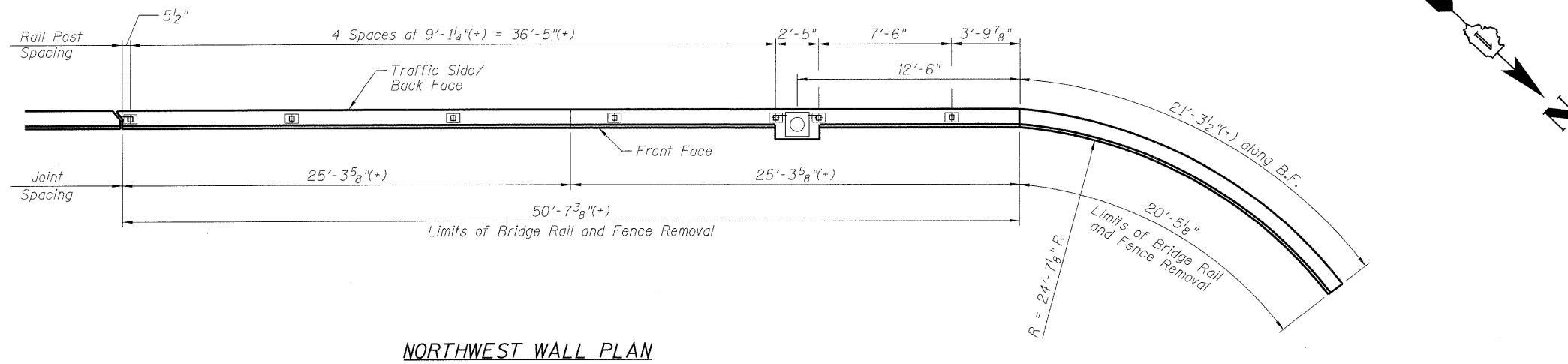
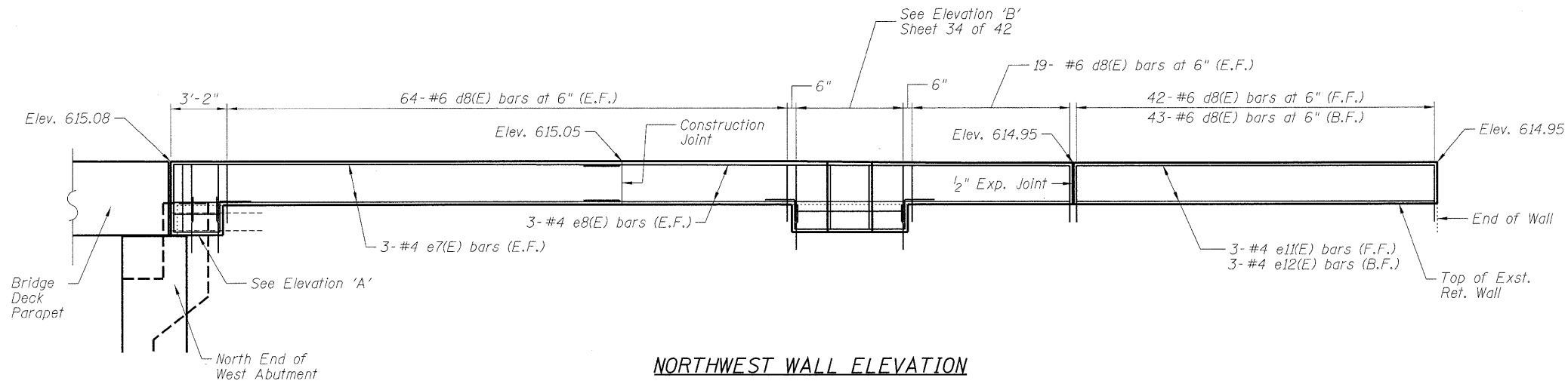


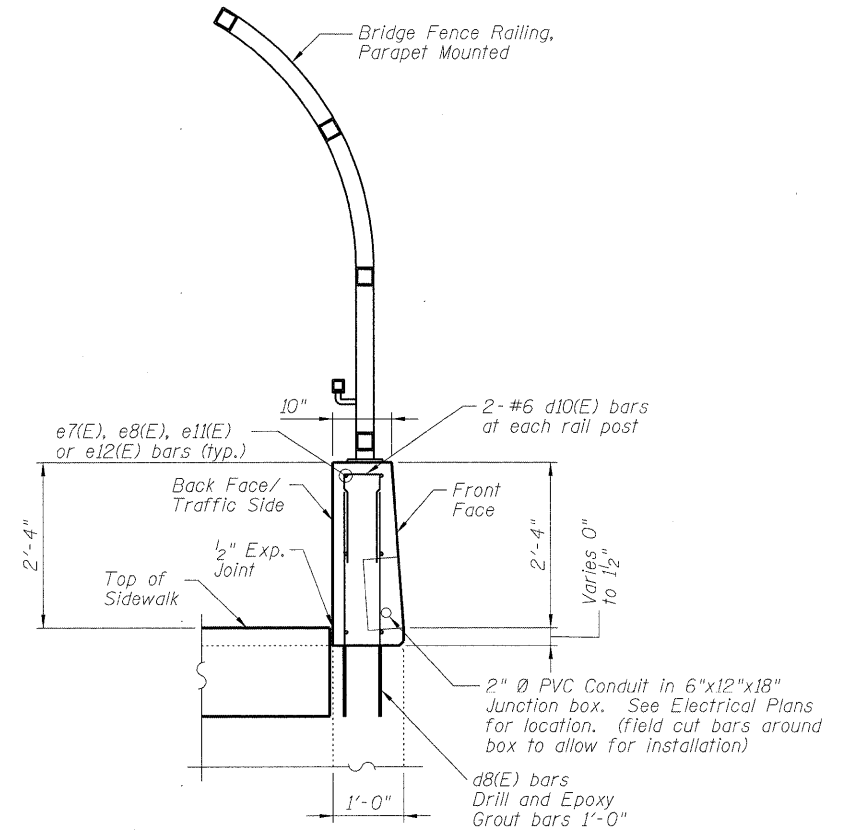
STATE OF ILLINOIS  
DEPARTMENT OF TRANSPORTATION



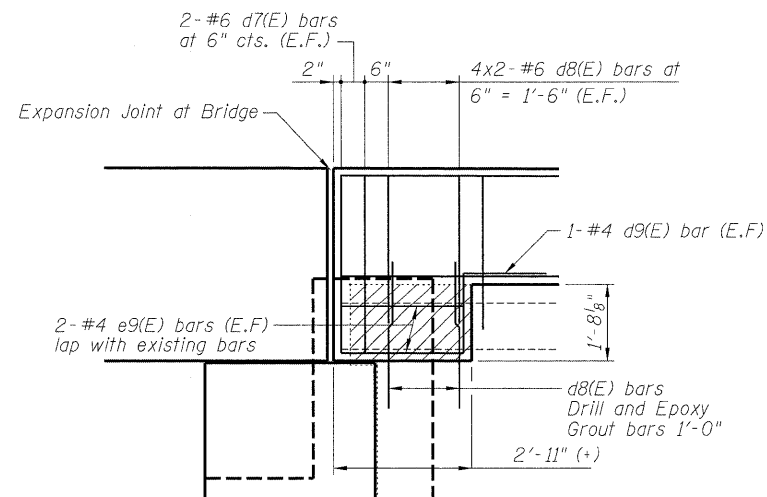
**NORTHWEST WALL PLAN**



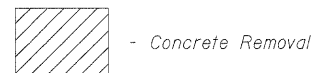
**NORTHWEST WALL ELEVATION**



**SECTION THRU TOP OF RETAINING WALL**



**ELEVATION 'A'**



**Legend**  
F.F. denotes front face  
B.F. denotes back face  
E.F. denotes each face

DESIGNED - ASP
CHECKED - DPW
DRAWN - JMH
CHECKED - ASP

**Notes:**

The Cost of Existing Bridge Rail Removal and Fence Removal is included in the cost of Removal of Existing Superstructure, See Special Provision.

Bars indicated 4 x 2 - #6 etc. indicates 4 lines of bars with 2 lengths per line.

Existing reinforcement that is to be reused in the proposed wall shall be cleaned and straightened.

**NORTHWEST PARAPET WALL I  
STRUCTURE NUMBER 016-0610**

SHEET NO. 33 OF 42 SHEETS	F.A. RTE. 94	SECTION 0101.8B	COUNTY COOK	TOTAL SHEETS 139	SHEET NO. 109
	CONTRACT NO. 60C18				
ILLINOIS FED. AID PROJECT					

**DLZ** 85 W. Algonquin Rd. Ste. 220  
Arlington Heights IL 60005  
(847)-640-0840  
DLZ Illinois, Inc.