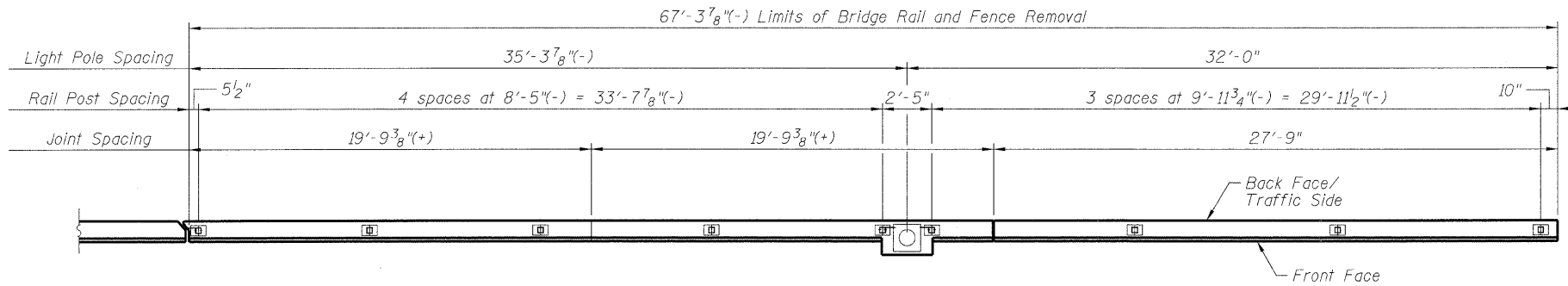
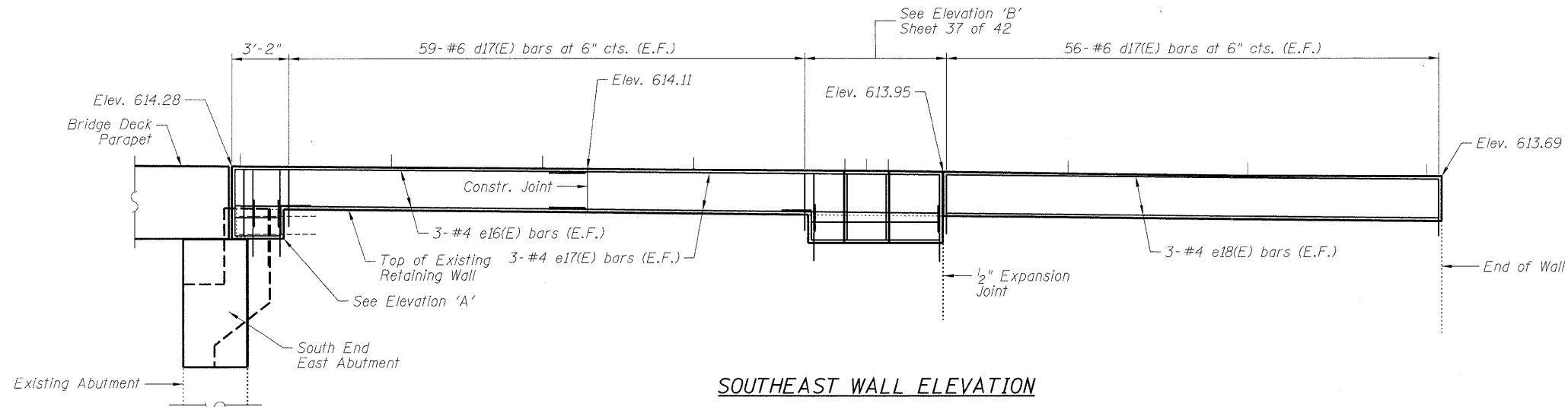


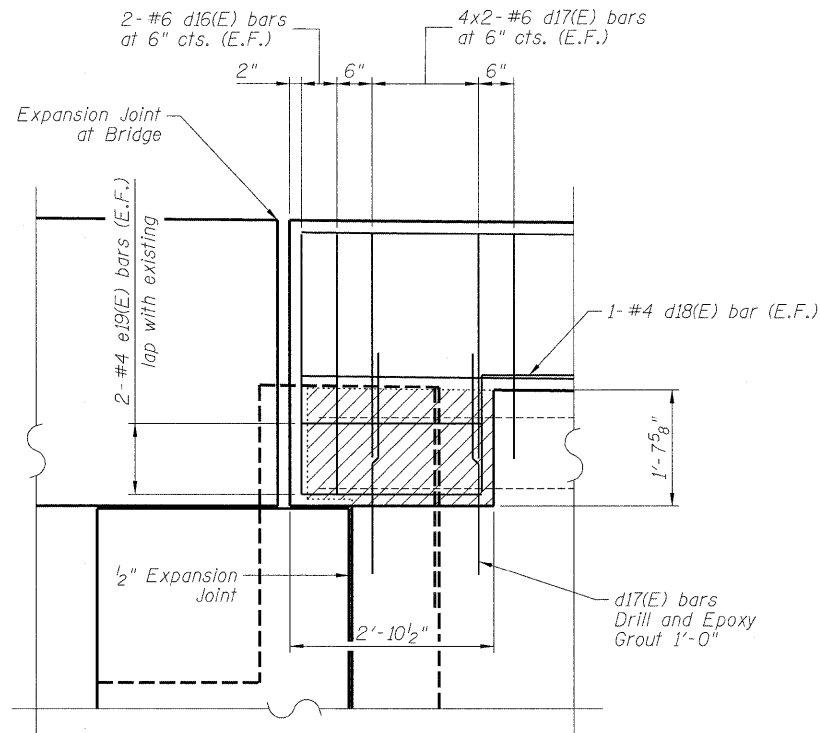
STATE OF ILLINOIS
DEPARTMENT OF TRANSPORTATION



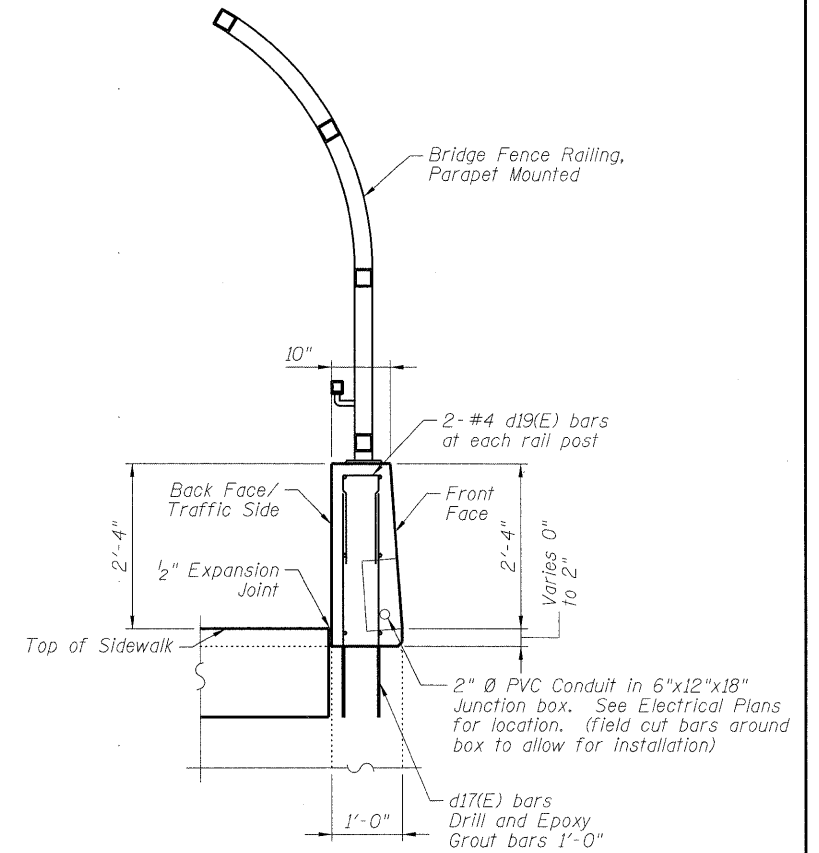
SOUTHEAST WALL PLAN



SOUTHEAST WALL ELEVATION



ELEVATION 'A'

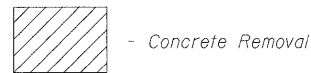


SECTION THRU TOP OF RETAINING WALL

Notes:
Bars indicated thus 4x2 - #6 etc. indicates 4 lines of bars with 2 lengths per line.

The cost of existing Bridge Rail Removal & Fence Removal is included in the cost of Removal of Existing Superstructure. See Special Provision.

Existing reinforcement that is to be reused in the proposed wall shall be cleaned and straightened.



Legend
F.F. denotes front face
B.F. denotes back face
E.F. denotes each face

DESIGNED - ASP
CHECKED - DPW
DRAWN - LNB
CHECKED - ASP

SOUTHEAST PARAPET WALL I
STRUCTURE NUMBER 016-0610

SHEET NO. 36 OF 42 SHEETS	F.A. RTE. 94	SECTION 0101.8B	COUNTY COOK	TOTAL SHEETS 139	SHEET NO. 112
	CONTRACT NO. 60C18				
ILLINOIS FED. AID PROJECT					

DLZ 85 W. Algonquin Rd. Ste. 220
Arlington Heights IL 60005
DLZ Illinois, Inc. (847)-640-0840