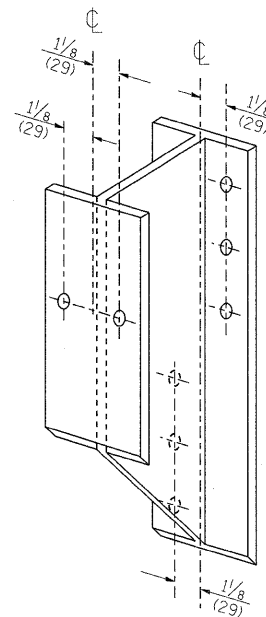
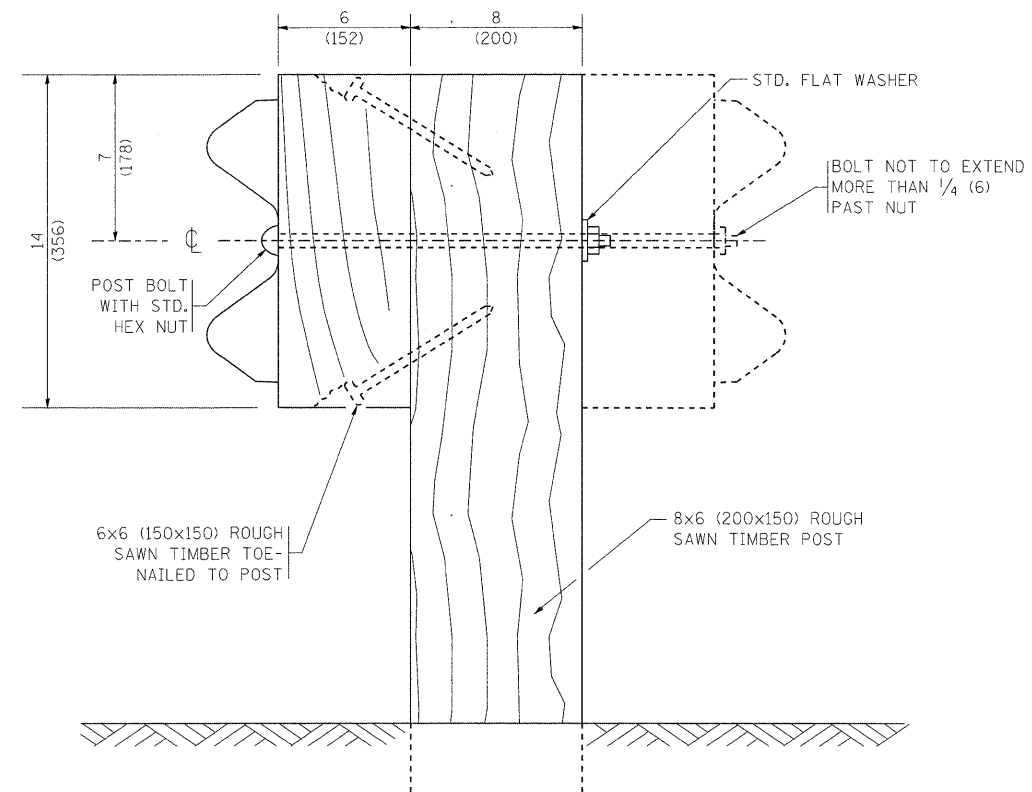


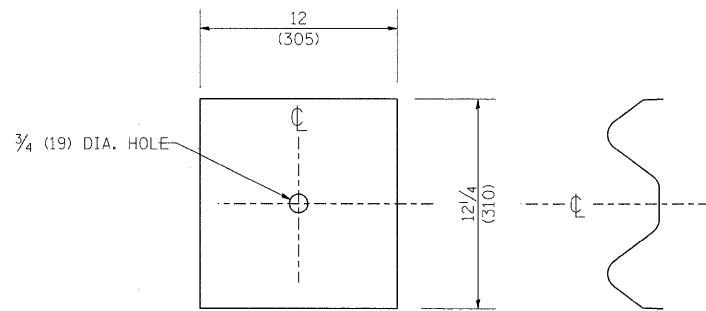
STEEL POST CONSTRUCTION



STEEL BLOCK-OUT DETAIL



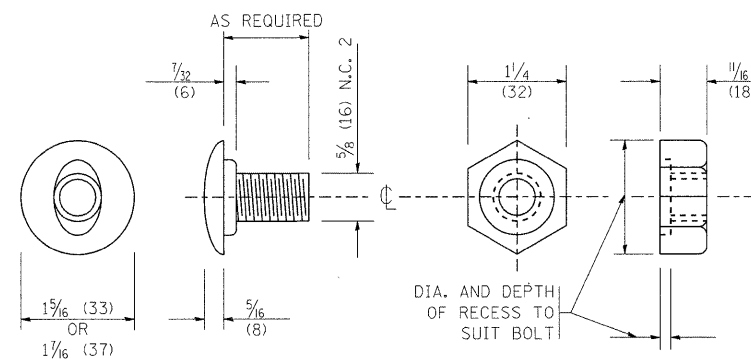
WOOD POST CONSTRUCTION



NOTE:

PLATE A SHALL BE PLACED BETWEEN RAIL ELEMENT AND BLOCK-OUT AT NON-SPLICE MOUNTING POINTS ONLY WHEN STEEL BLOCK-OUTS ARE USED.

PLATE A



POST OR SPLICE BOLT & NUT

FILE NAME = W:\d\std\22x34\bm21.dgn

USER NAME = gaglianob

DESIGNED -  
DRAWN -

REVISED - 10-31-06  
REVISED -  
REVISED -  
REVISED -

PLOT SCALE = 50.0000 ' / IN.  
PLOT DATE = 1/4/2008

CHECKED -  
DATE -

STATE OF ILLINOIS  
DEPARTMENT OF TRANSPORTATION

REMOVE AND REERECT  
STEEL PLATE BEAM GUARDRAIL  
SCALE: NONE SHEET NO. 2 OF 4 SHEETS STA. TO STA.

F.A.I. RTE.	SECTION	COUNTY	TOTAL SHEETS	SHEET NO.
94	0101.8B	COOK	139	125
BM-21			CONTRACT NO. 60C18	
FED. ROAD DIST. NO. 1 ILLINOIS FED. AID PROJECT				