

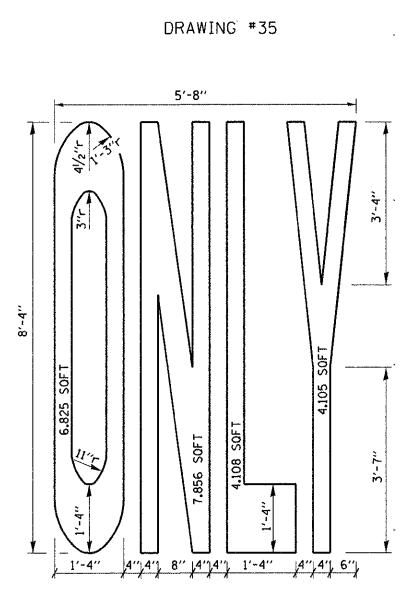
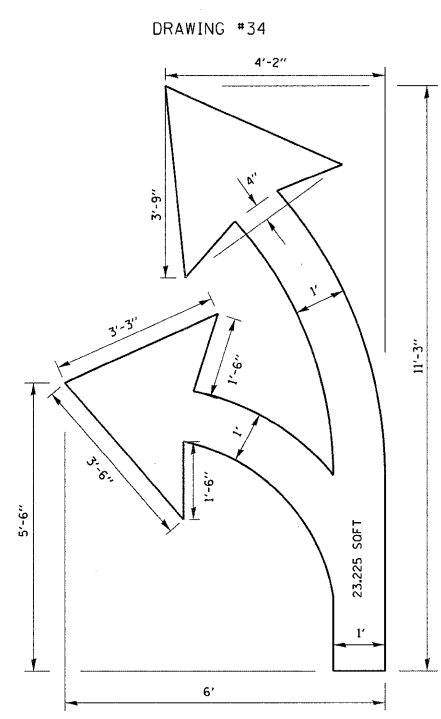
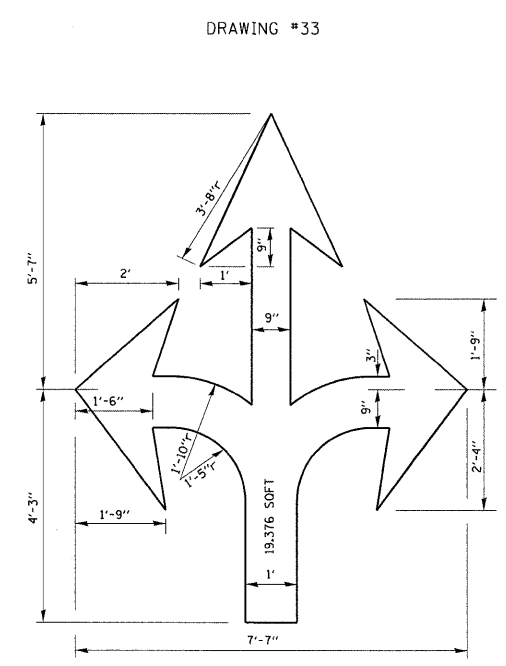
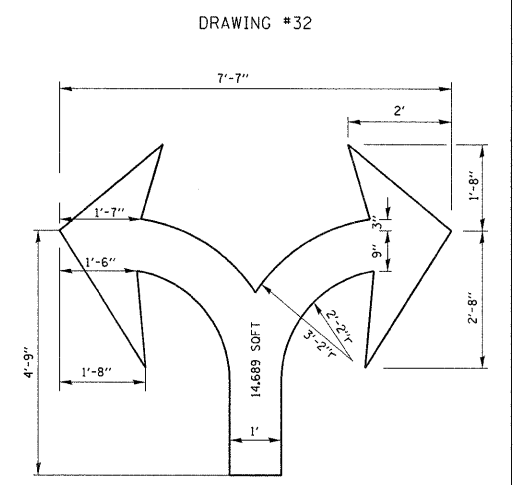
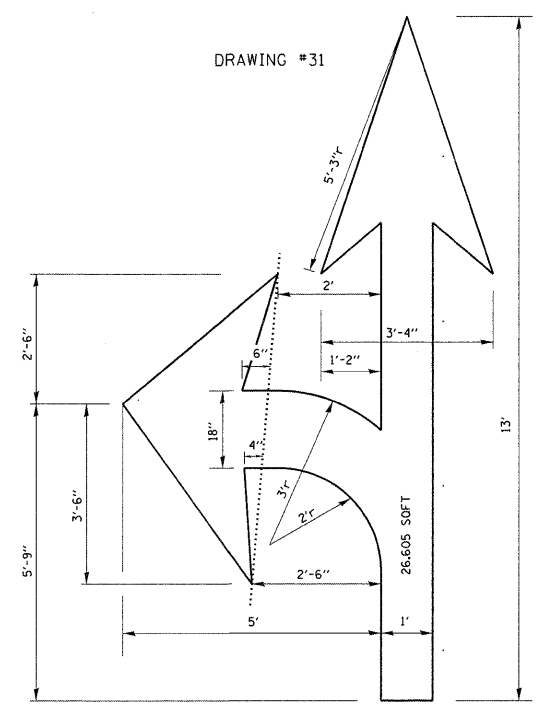
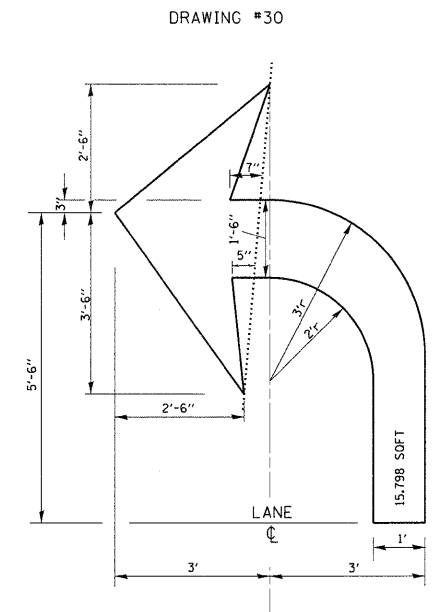
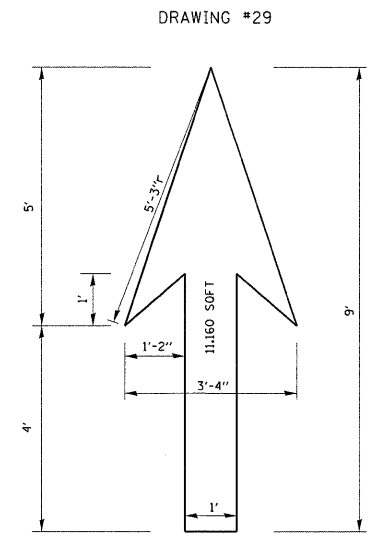
ALL ROUNDS 1" UNLESS OTHERWISE NOTED.

BICYCLE LANE SYMBOL

NOTE:

- FOR BIKE LANE SYMBOLS ONLY, USE PRE-FORMED THERMOPLASTIC WITH A MINIMUM THICKNESS OF 90 MILS, MINIMUM SKID RESISTANCE VALUE OF 60 BPN, & A MINIMUM INDEX OF REFRACTION OF 1.50.
- THE RESIDENT ENGINEER SHALL CONTACT MR. BEN GOMBERG AT 312-744-8093 AT LEAST ONE CALENDAR WEEK PRIOR TO INSTALLING BIKE LANE SYMBOLS.

TYPICAL BIKE LANE SYMBOLS
DRAWING #28



NOTE:
ALL MARKINGS SHALL BE SOLID WHITE UNLESS OTHERWISE NOTED IN THE PLANS

FILE NAME = W:\dststd\22x34\to24.dgn	USER NAME = gaglienobt	DESIGNED - -	REVISED - -T. RAMMACHER 12-07-00
		DRAWN - -	REVISED - -
	PLOT SCALE = 50.0000 ' / IN.	CHECKED - -	REVISED - -
	PLOT DATE = 1/4/2008	DATE - -	REVISED - -

STATE OF ILLINOIS
DEPARTMENT OF TRANSPORTATION

CITY OF CHICAGO TYPICAL PAVEMENT MARKINGS			
SCALE: NONE	SHEET NO. 2 OF 2 SHEETS	STA.	TO STA.

F.A.I. RTE. 94	SECTION 0101.8B	COUNTY COOK	TOTAL SHEETS 139	SHEET NO. 138
TC-24			CONTRACT NO. 60C18	
FED. ROAD DIST. NO. 1 ILLINOIS FED. AID PROJECT				