

SPECIFICATIONS

PERFORMANCE - THE ENCLOSURE WILL MEET OR EXCEED THE REQUIREMENTS OF A NEMA 3R RATING AND SHALL BE U.L. LISTED.

MATERIAL - SHEET ALUMINUM 1/8" THICKNESS, ALLOY 5052 H32. SURFACE SHALL HAVE A SMOOTH, NATURAL ALUMINUM MILL FINISH. ALL WELDS TO BE HELIARC AND SHALL BE NEATLY FORMED AND FREE OF CRACKS, BLOW HOLES, AND OTHER DEFECTS. ALL EDGES TO BE FREE OF BURRS.

CABINET FEATURES - CABINET TOP SLOPED 1/2" TO THE REAR, WITH 1/8" X 1" VENT SLOTS UNDER FRONT OVERHANG.

DOORS AND LOCKS - THE MAIN DOOR IS OF NEMA TYPE 3R CONSTRUCTION WITH CELLULAR NEOPRENE GASKET, WHICH IS RAIN TIGHT. HINGE IS 2" OPEN AND IS CONTINUOUS 14 GAUGE STAINLESS STEEL WITH A 1/4" DIA. PIN AND IS CAPPED AT THE TOP TO RENDER IT TAMPER PROOF. THE HINGE IS SECURED WITH 1/4-20 STAINLESS STEEL CARRIAGE BOLTS AND ESNA LOCK NUTS. STANDARD EQUIPMENT INCLUDES A THREE POINT LOCKING SYSTEM, WHICH SECURES THE DOOR AT THE TOP, BOTTOM, AND CENTER. A CORBIN LOCK WITH TWO KEYS IS ALSO FURNISHED. THE MAIN DOOR IS ALSO EQUIPPED WITH A THREE POSITION DOOR STOP, ONE AT 90°, ONE AT 120°, AND ONE AT 180°. DOOR LOCKING RODS ARE 1/4" X 3/4" ALUMINUM TURNED EDGEWAYS WITH 1" NYLON ROLLERS. MAIN DOOR HANDLE IS 3/4" DIAMETER STAINLESS STEEL. THE CABINET DOOR SHALL BE HINGED ON THE RIGHT SIDE WHEN FACING THE FRONT OF THE CABINET.

EQUIPMENT MOUNTING - THE CABINET SHALL BE EQUIPPED WITH TWO ADJUSTABLE "L" MOUNTING CHANNELS WELDED TO EACH SIDE WALL AND THE BACK WALL ALLOWING FULL ADJUSTMENT OF SHELVES OR PANELS.

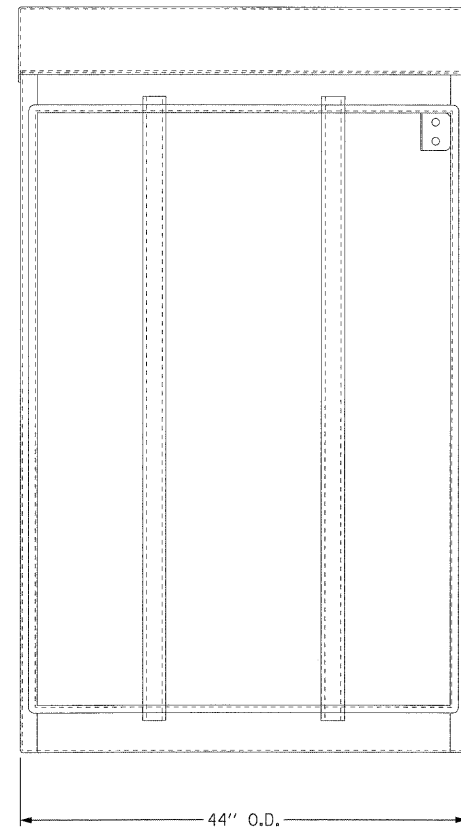
VENTILATION - VENT SLOTS (1/8" X 1") ARE PROVIDED ON THE UNDERSIDE OF THE COVER OVERHANG AND LOUVER SLOTS ARE FORMED IN THE LOWER PORTION OF THE MAIN DOOR. THIS CREATES A NATURAL MOVEMENT OF AIR AND HAS A COOLING EFFECT ON THE ELECTRICAL EQUIPMENT.

CABINET TYPE FOR TEMPORARY CONTROLLER "TT" IS POLE MOUNTED (SEE INSTALLATION DETAILS ON DRAWING RL-D1).

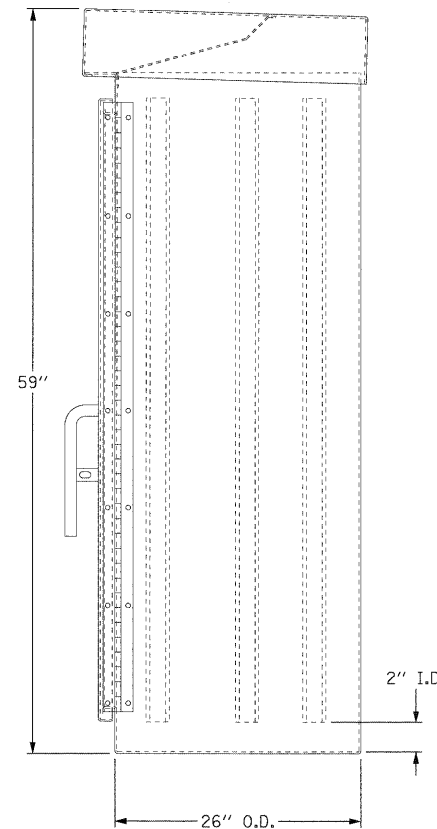
THIS SPECIFICATION IS PER IDOT STANDARD SPECIFICATIONS.

INDICATED DIMENSIONS REPRESENT THE MINIMUM REQUIREMENTS. DIMENSIONS SHALL BE INCREASED AS REQUIRED TO COMPLY WITH THE CODE AND TO ADEQUATELY HOUSE ALL REQUIRED COMPONENTS WITH AMPLE ROOM FOR ARRANGEMENT AND TERMINATION OF WIRING.

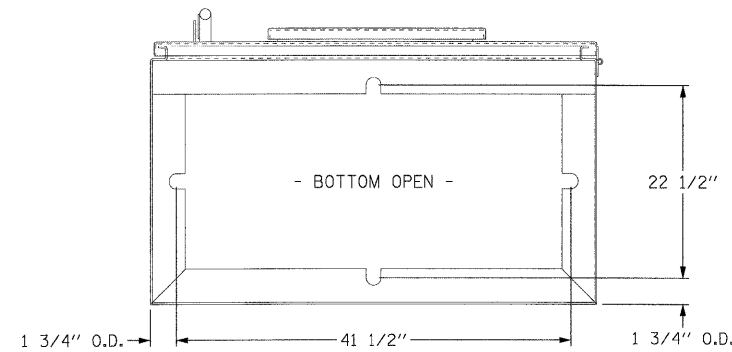
THE SERVICE EQUIPMENT SHALL BE MARKED TO IDENTIFY AS BEING SUITABLE AS SERVICE EQUIPMENT IN ACCORDANCE WITH NEC ARTICLE 230.66.



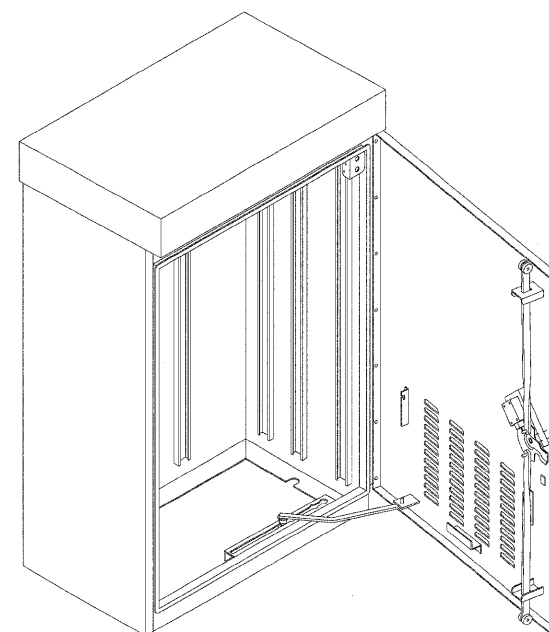
FRONT VIEW
DOOR REMOVED



RIGHT SIDE VIEW



BOTTOM VIEW
MOUNTING PATTERN



ALUMINUM TYPE IV CONTROL CABINET 3R
59"x44"x26"
SCALE: NOT TO SCALE

FILE NAME = D160C31-SHT-EDetail02.dgn	USER NAME = TKLuegel	DESIGNED - JLW	REVISED -
PLOT SCALE = 1:1		DRAWN - CJM	REVISED -
PLOT DATE = 12/11/2009		CHECKED - KMY	REVISED -
		DATE - 12/18/09	REVISED -

F.A.I. RTE.	SECTION	COUNTY	TOTAL SHEETS	SHEET NO.
55	(99-1&2)AC-3	WILL	524	296
FED. ROAD DIST. NO. 1 ILLINOIS FED. AID PROJECT			CONTRACT NO. 60C31	